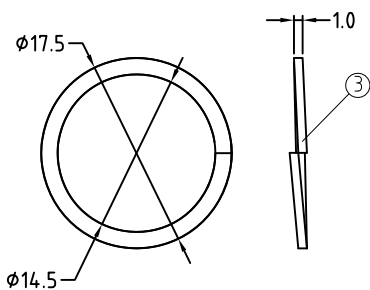
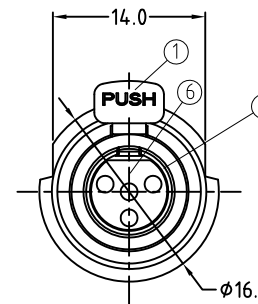
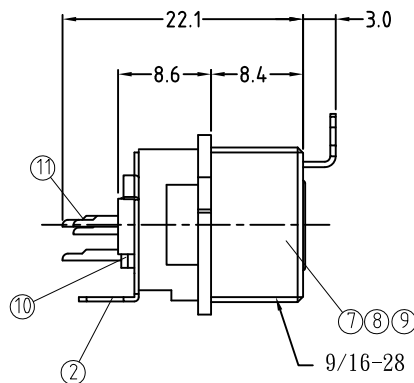
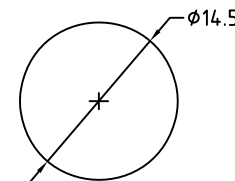
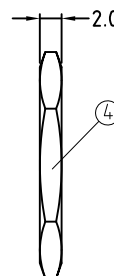
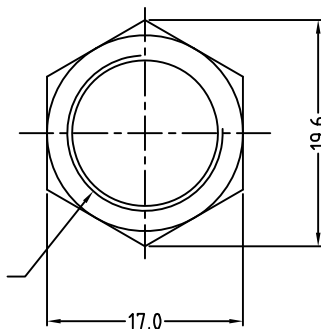


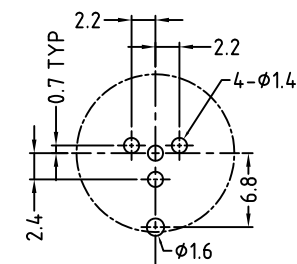
ISO VIEW



9/16-28



+ Panel cutout CL



PCB LAYOUT

11	SOCKET CONTACTS	Brass/Au Plated	4
10	SPRING WASHER	PPS/Black	1
9	SPRING	SUS 304/Ni Plated	1
8	LATCH SPRING	SUS 304/Ni Plated	1
7	MACHINED SHELL	Brass/Ni Plated	1
6	INSULATOR	PPS/Black	1
5	MACHINED SHELL	Brass/Ni Plated	1
4	METAL NUT	Brass/Ni Plated	1
3	SPRING WASHER	SUS 304/Ni Plated	1
2	GROUND CONTACT	Brass/Ni Plated	1
1	PUSH LEVEL	Brass/Ni Plated	1
ITEM	DESCRIPTION	MATERIAL/FINISH	QTY

Specification:

Electrical:

Contact resistance: <0.03 ohm
 Insulation resistance: >500Megaohm
 Dielectric strength: 1000VDC
 Rated current: 5A

Mechanical:

Lifetime: Insert & withdraw >5000 cycle
 Insertion/withdrawal 6lb Max.

UNLESS OTHERWISE SPECIFIED TOLERANCE TO BE		THIS DOCUMENT IS THE PROPERTY OF AMPHENOL AUSTRALIA PTY. LTD. NO PART THEREOF MAY BE REPRODUCED AND USED WITHOUT THE PRIOR WRITTEN CONSENT OF THE OWNER			
LINEAR	ANGULAR	CAD FILE: 55010861100111	DRN: M.H	DATE: 09-10-12	TITLE:
X ± 0.50	X° ± 1°	MATERIAL: SEE TABLE		DATE: 25-07-17	Amphenol 22 Industry Boulevard, Carrum Downs, Vic 3201 DRAWING NO. 55010861-100-1 SHEET 1 OF 1
X.X ± 0.25	X°X' ± 30'	DO NOT SCALE FINISH: SEE TABLE		DATE: 25-07-17	
X.XX ± 0.10	X°X'X" ± 15"	SCALE: 2:1 UDS		PART No: AG4FCE	SIZE: A3
BREAK ALL SHARP EDGES AND REMOVE ALL BURRS		THIRD ANGLE PROJECTION			

1	CORRECT DIMENSIONS OF THE NUT TO 17mm & 19.6mm CHANGE TO MEET RAW MATERIAL SIZES	M.H	25-07-17	9445
0	FIRST ISSUE	M.H	09-10-12	----
REV.	CHANGE DETAILS	BY	DATE	CHG/No