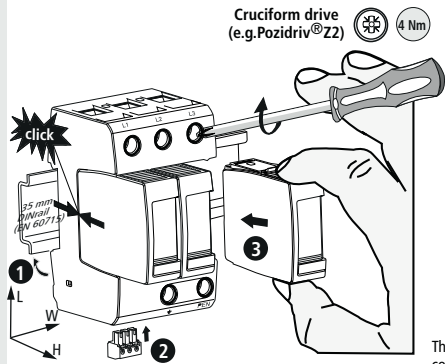


CE INSTALLATION INSTRUCTIONS

Publication No. 1550 UPDATE 02.14 Mat-No. 069713



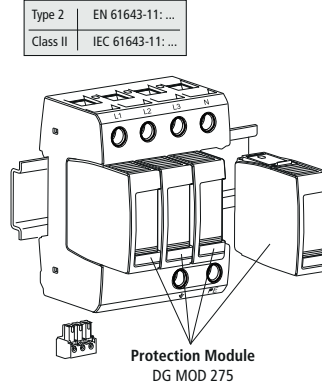
DEHNguard®modular DG M TNC 275 (FM)



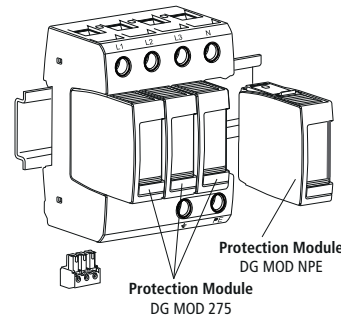
There is no distance from the SPD to any earthed conductive surface required. / Es ist kein zusätzlicher Abstand vom SPD zu geerdeten Flächen einzuhalten.

(indoor use only / Nur im Innenraum)

DG M TNS 275 (FM)



DG M TT 275 (FM)

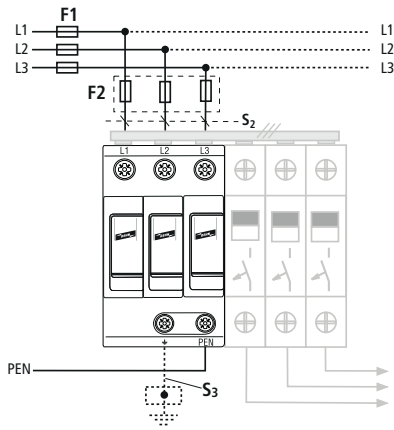


Technical data / Technische Daten

type	DG M TNC 275 (FM)	DG M TNS 275 (FM)	DG M TT 275 (FM)
	Protection Module DG MOD 275		Protection Module DG MOD NPE
U_n	230 / 400 V; Tol.: 0V ... U_c		
U_c	275 V~		
f_N	50 / 60 Hz		
max. I_{sc}	125 A gG	---	
I_{SCCR}	50 kA _{rms}	---	
I_{fl}	---	100 A _{rms}	
I_{max}	40 kA		
$\theta^{\circ} C$	-40°C ... + 80°C		
humidity / Feuchte	5% ... 95%		
I_{PE}	< 0,15 mA	< 5 μ A	
Ports	1		
IP-Code	IP 20 (built in / eingebaut)		
L x W x H	90 mm x 54 mm x 73 mm	90 mm x 72 mm x 73 mm	

	12 mm	12 mm	12 mm
min. \square L, N, PE(N), \perp	1.5 mm ²		
max. \square L, N, PE(N), \perp	25 mm ²	35 mm	
	16 mm ² Cu		≥ 15.5 mm

TN-C DG M TNC 275 (FM)



TN (-C) -S DG M TNS 275 (FM)

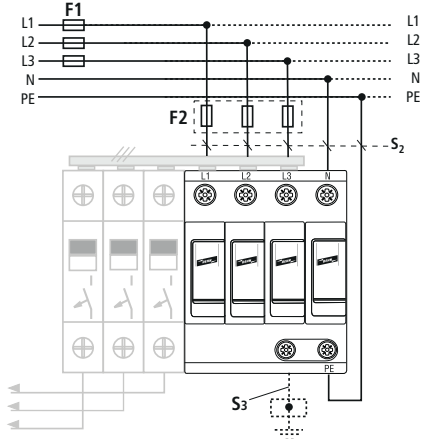
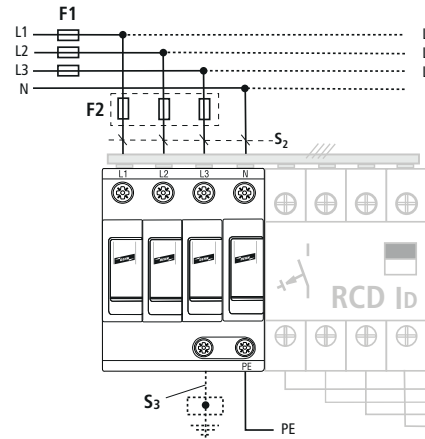


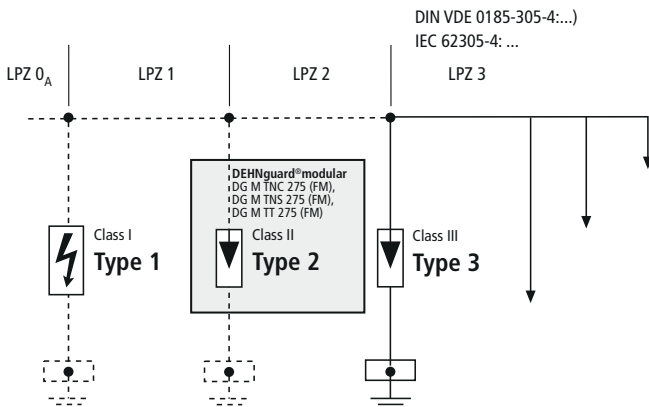
Fig. a TT DG M TT 275 (FM)



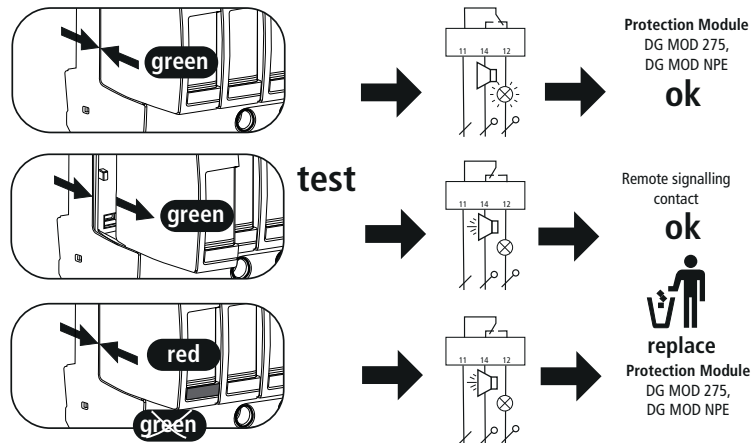
Backup fuse / Vorsicherung

DEHNguard®modular DG M TNC 275 (FM), DG M TNS 275 (FM), DG M TT 275 (FM)		DEHNguard®modular DG M TNC 275 (FM), DG M TNS 275 (FM), DG M TT 275 (FM)			
F1	F1 ≤ 125 A gG	Fuse F1 A gG	S_2 / mm ²	S_3 / mm ²	Fuse F2 A gG
F1	\downarrow	25	4	6	---
	\downarrow	35	4	6	---
F2	\downarrow	40	4	6	---
	\downarrow	50	6	6	---
	\downarrow	63	10	10	---
	\downarrow	80	10	10	---
	\downarrow	100	16	16	---
	\downarrow	125	16	16	---
	\downarrow	>125	16	16	125

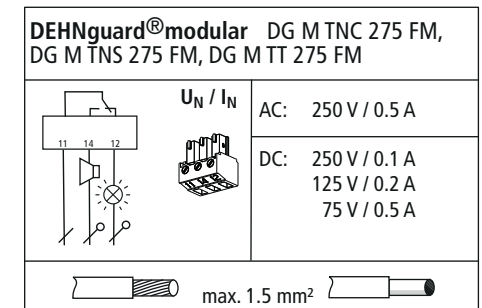
Coordination / Koordination



Fault indication / Defektanzeige



Remote signalling contact / Fernmeldekontakt



© COPYRIGHT 2014 DEHN + SÖHNE



