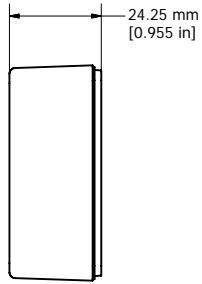
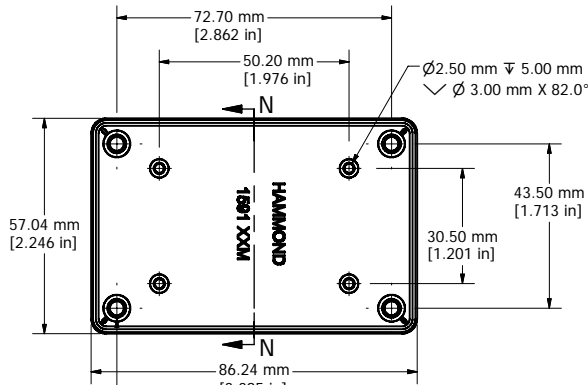


SIDE VIEW OF BOX

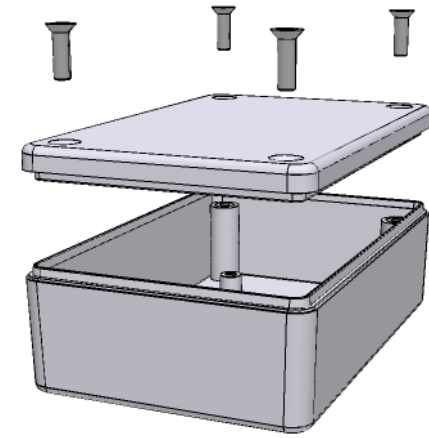
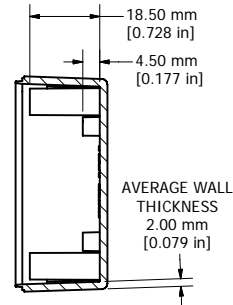


Ø4.00 mm ▽ 18.50 mm

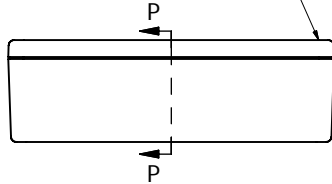
TOP VIEW OF BOX



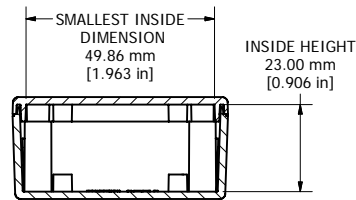
SECTION N-N



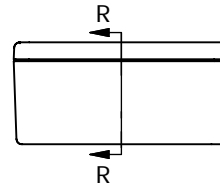
Cover Screws #4 x 1/2" Self-Tapping Screws



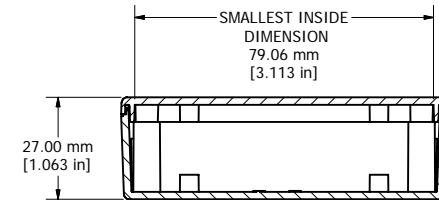
SIDE VIEW OF ENCLOSURE



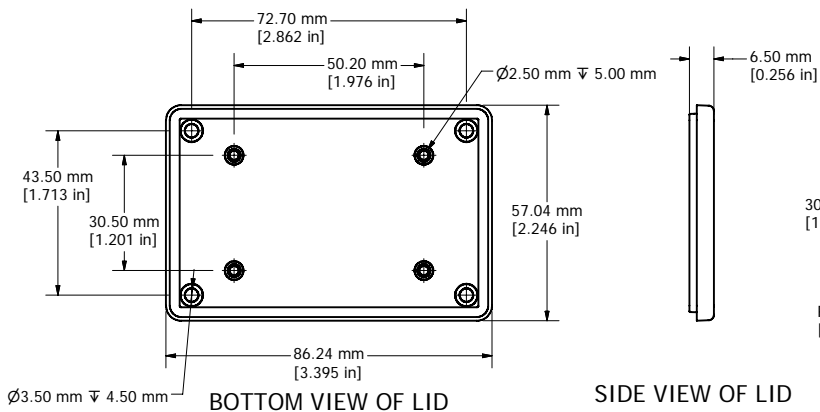
SECTION P-P



END VIEW OF ENCLOSURE

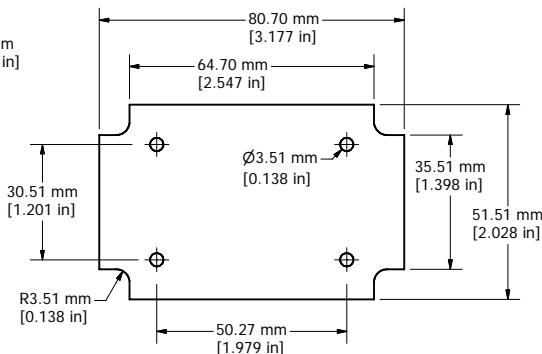


SECTION R-R



BOTTOM VIEW OF LID

SIDE VIEW OF LID



MAX PC BOARD SIZE (NOT INCLUDED)

Enclosures can be Factory Modified (Milling, Drilling, Printing etc.)
Solid models of this enclosure available in STEP or IGES.
Contact Factory mjm@hammondmfg.com

NOTE	
Enclosure molded from GRABS UL 94-HB Plastic.	
No Brass Inserts Included	
Other materials / colours available consult factory.	
1591XXMS	
1591XXMS Box Enclosure	
Black Enclosure - RAL 7011	1591XXMSBK (Pkg 100)
Gray Enclosure - RAL 7035	1591XXMSGY (Pkg 100)
ACCESSORIES	
Lid Screws self-tapping Black	1591TS100BK (Pkg 100)
Lid Screws self-tapping Standard	1591TS100 (Pkg 100)
P.C. Board Screws (All Boxes)	
P.C. Board Screws	1593ATS50 (Pkg 50)
#4 x 1/4" self-tapping (6.4mm)	1593ATS100 (Pkg 100)

