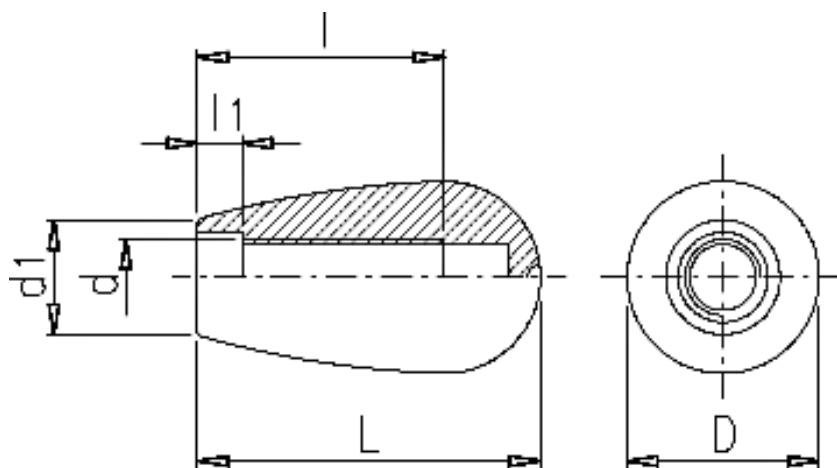


# I.622

ELESA Original Design

Handles



Standard Elessa		Main dimensions			Mounting hole			Weight
Code	Description	D	L	d1	d6H	I	I1	grams
120911	I.622/25 -M6 nero	15	25	12	M6	16	3.5	4
120951	I.622/30 -M8 nero	20	32	14	M8	20	3.5	7
120991	I.622/40 -M8 nero	26	42	17	M8	30	5	18
121001	I.622/40 -M10 nero	26	42	17	M10	30	5	16

High-impact strength special [technopolymer](#), in black with bright finish. Resistant to solvents, oils, greases and other chemical agents.

[Tapped](#) blind hole.

On request and for sufficient quantities the handle can be supplied in various RAL colours.

