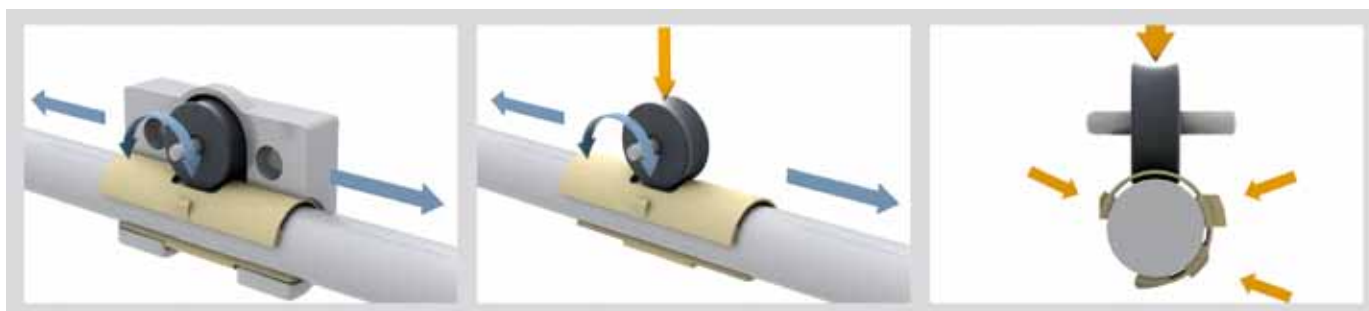


Hybrid linear bearing – roll and slide

DryLin® W Hybrid bearings offer a unique combination of plain and roller bearings. At a defined installation position, the required driving torque reduces itself significantly by the maintenance-free roller bearings. Shear forces and abuse forces are absorbed by the glider. The hybrid bearing is ideal for manual adjustments, especially in door adjustments.

- Glide-mounted plastic rollers
- Liner made of iglidur® J
- Low drive force needed, friction: 0.04–0.05 μ
- Cost-effective
- Can be combined with 7 linear profile rails



► www.igus.co.uk/en/WJRM-video

DryLin® W Hybrid Linear Bearings – Load Data and Dimensions [mm]

Part number	Stat. load capacity	Dyn. load capacity Cz+			F · v
	Co	at total running distance (km)			max.
	[N]	10	100	200	[N · m/s]
WJRM-01-10	250	250	90	50	50
WJRM-01-16	400	400	140	70	80
WJRM-01-20	550	550	200	100	80

DryLin® W, Compatible Guide Rails – Dimensions [mm]

Part number	Weight [g]	H	da	L	a	h	h2	G1	G2	C4	C5		C6		K1 for Screw DIN 912
											min.	max.	min.	max.	
WS-10	0.62	18	10	4,000	27	5.5	9	27	17	120	20	79.5	20	79.5	M6
WS-10-40	1.00	18	10	4,000	40	5.5	9	30	20	120	20	79.5	20	79.5	M6
WS-10-80	1.50	18	10	4,000	74	5.5	9	27	17	120	20	79.5	20	79.5	M6
WS-16	0.98	27	16	4,000	27	7.5	14	33	19	120	20	79.5	20	79.5	M8
WS-16-60	1.96	27	16	4,000	54	7.5	14	43	29	120	20	79.5	20	79.5	M8
WS-20	1.32	36	20	4,000	27	9.5	20	38	21	120	20	79.5	20	79.5	M8
WS-20-80	3.38	36	20	4,000	74	9.5	20	38	21	120	20	79.5	20	79.5	M8



delivery available
time from stock



prices price list online
www.igus.co.uk/en/DryLinW

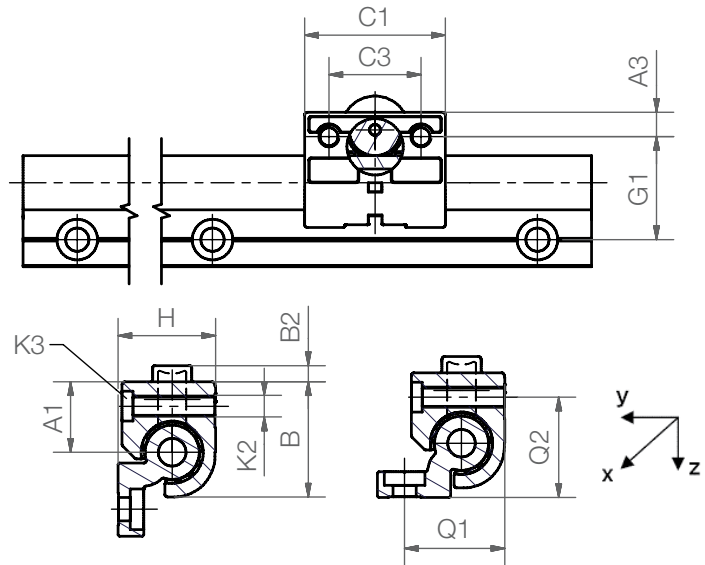


order part number
example WJRM-01-10

Hybrid linear bearing – roll and slide



Order key
complete ► page 785



Shown installation position is not possible for combination of WJRM-01-10 with rail WS-10/ WS-10-40/WS-10-80

DryLin® W Hybrid Linear Bearings – Load Data and Dimensions [mm]

Part number	Friction in +z direction	Weight [g]	B	B2	C1	C3	G1	A3	A1	K2	K3	[N]	
												Q1	Q2
WJRM-01-10	< 0,1	46	26	2,5	35	22	27	6,5	16,5	M6	M5	–	–
WJRM-01-16	< 0,1	131	34.5	5	48	30	33	9	25	M8	M6	32	28
WJRM-01-20	< 0,1	232	42.5	6	52	34	38	9	30	M8	M6	37	37



Adjustment sliding door at tool magazine



Adjustment camera slider ► www.igus.co.uk/camera