

200 Watt Integrated Ballast Unit

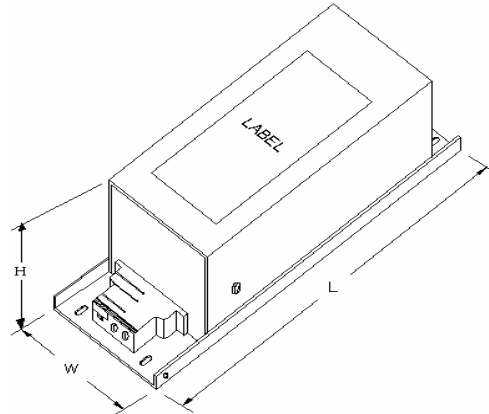
200 Watt Integrated Ballast Unit

Ballast Code : IBM200245CU

Electrical Data (Ballast)

Lamp Watts (W)	200
Lamp Current (A)	MH/ HPMV-1.6A
Input Voltage at 50Hz (V)	240
Circuit Watts (W)	220
Running Current (A)	1.00
Ta (°C)	40
Thermal Cut-out	No
Operating PF	0.9
Ignitor	YES

Physical Data (Ballast)



	L	W	H
Dimensions (mm)	203	94	76
Additional Fixing (mm)	67 X 173 - 190		
Weight (kg)	3.2kg		

Notes: Unit Consists of Ballast / Ignitor and Capacitor

Data is based upon test performed by Venture Lighting in controlled environment and is representative of relative performance. Actual performance can vary depending on operating conditions. Specifications are subject to change without notice.

Venture Lighting Europe Limited., Trinity Court, Batch worth Island, Church Street, Rickmansworth, WD3 1RT, United Kingdom, Tel: +(44) 0845-2302222, Fax: +(44) 0845-2302077

Email: sales@venturelighting.co.uk, Web: www.venturelightingeurope.com