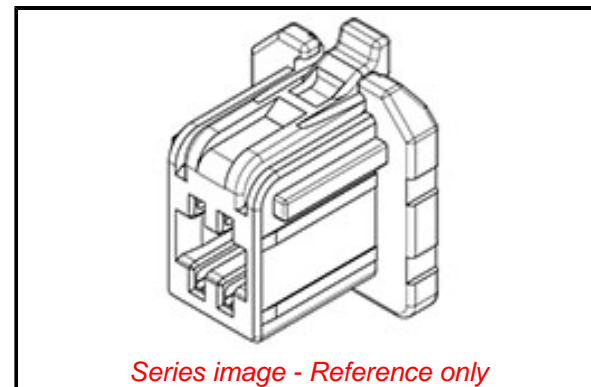


**PLEASE CHECK WWW.MOLEX.COM FOR LATEST PART INFORMATION**

**Part Number:** [2045230601](#)  
**Status:** **Active**  
**Overview:** [Micro-Lock Plus Wire-to-Board Connector System](#)  
**Description:** 1.25mm Pitch, Micro-Lock Plus Receptacle Crimp Housing, Low-Halogen, Dual Row, Positive Lock, 6 Circuits, Black

**Documents:**

<a href="#">3D Model</a>	<a href="#">Application Specification AS-505432-001-001 (PDF)</a>
<a href="#">3D Model (PDF)</a>	<a href="#">Packaging Specification 2045239200SPK-200 (PDF)</a>
<a href="#">Drawing (PDF)</a>	<a href="#">Datasheet (PDF)</a>
<a href="#">Product Specification 2045230001-PS-000 (PDF)</a>	<a href="#">RoHS Certificate of Compliance (PDF)</a>



**Agency Certification**

UL E29179

**General**

Product Family	Crimp Housings
Series	<a href="#">204523</a>
Application	Signal, Wire-to-Board
Overview	<a href="#">Micro-Lock Plus Wire-to-Board Connector System</a>
Product Name	Micro-Lock Plus
UPC	193264084111

**Physical**

Circuits (maximum)	6
Color - Resin	Black
Flammability	94V-0
Gender	Receptacle
Glow-Wire Capable	No
Keying to Mating Part	None
Lock to Mating Part	Yes
Material - Resin	PBT
Net Weight	0.200/mg
Number of Rows	2
Packaging Type	Bag
Panel Mount	No
Pitch - Mating Interface	1.25mm
Pitch - Termination Interface	1.25mm
Polarized to Mating Part	Yes
Temperature Range - Operating	-40° to +105°C

**Material Info**

**Reference - Drawing Numbers**

Application Specification	AS-505432-001-001
Packaging Specification	2045239200SPK-200
Product Specification	2045230001-PS-000
Sales Drawing	2045230001-SD-000

**EU ELV**

**Not Relevant**

**EU RoHS**

**Compliant**  
**REACH SVHC**

Not Contained Per -  
ECHA\_01\_2020 (16  
January 2020

**Halogen-Free**  
**Status**

**Low-Halogen**

For more information, please visit [Contact US](#)

China ROHS

ELV

RoHS Phthalates

**China RoHS**

Green Image

Not Relevant

Not Contained

**Search Parts in this Series**

[204523 Series](#)

**Mates With**

Micro-Lock Plus PCB Header [207760](#)