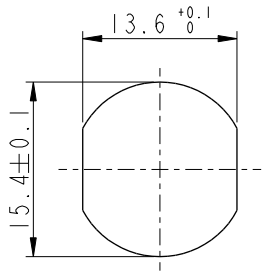


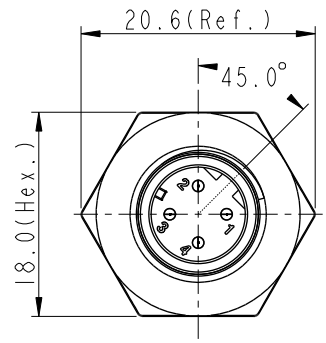
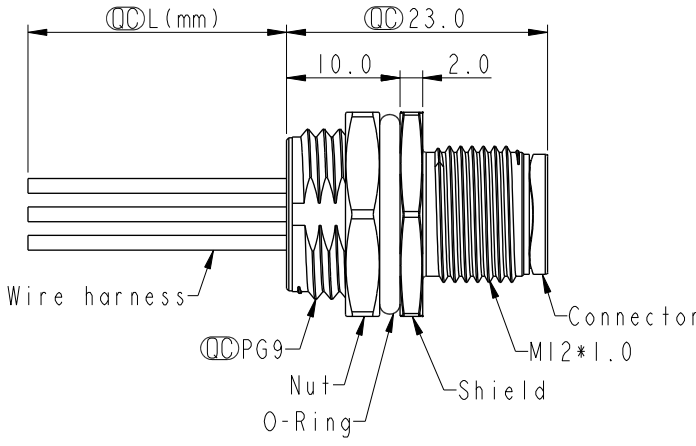
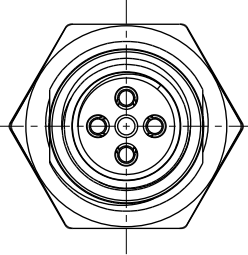
THIS DOCUMENT IS SUBJECT TO CHANGE WITHOUT NOTICE. IT IS CONFIDENTIAL AND A PROPERTY OF AMPHENOL LTW. DISCLOSURE TO THIRD PARTY HAS TO BE AUTHORIZED BY AMPHENOL LTW.

REV.	ECN NO.	DATE	SIGN	DESCRIPTION
D	C201542	2020/10/07	Vicky	△D X3
E	C210025	2021/01/19	Vicky	△E X2
F	C210593	2021/04/16	Ruru	△F X3



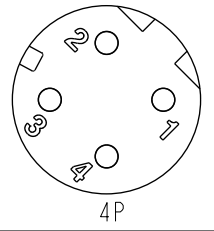
Recommended Panel Cut-Out

△B



4	Black	黑
3	Blue	藍
2	White	白
1	Brown	棕

Pin # Wire  
Pin Out



Pin Assignments Front View

△C △D △E △F  
M12D-XXPMMC-SH8BXX

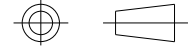
XX: No. Of Pin

- 10: 100mm
- 15: 150mm
- 20: 200mm
- ↓
- 95: 950mm
- Cable Pitch Unit=50mm
- ↓
- A0: 1000mm
- ↓
- A5: 1500mm
- Cable Pitch Unit=100mm
- Wire Length (L): 150~1500 mm

Note: △C △D △E △F

- \* RoHS Compliant
- \* Ⓞ Important dimension
- \* Waterproof rate: IPX8, unmated 1m/24h
- \* Connector
- Housing: Thermoplastic, Black
- Pin: Copper alloy, Gold plated
- \* Shield: Metal
- \* Nut: Metal
- \* O-Ring: Rubber, Black
- \* Wire harness: UL1061, 22AWG
- \* For panel thickness max: 4.5mm
- \* O-Ring and nut are assembled on connectors
- \* Wire harness tolerance: 100mm: ±10mm
- 100mm < L ≤ 300mm: ±15mm
- 300mm < L ≤ 1000mm: ±20mm
- 1000mm < L ≤ 1500mm: ±50mm

UNIT:mm



TOLERANCE	
.X	±0.25
.XX	±0.1
.XXX	±0.05
ANGLES	±1°

TITLE N SEN, M12 D, SCREW RECEPTACLE, M, M, FI/PANEL CRIMP △E			
SCALE 2:1	SIZE A4	SHEET 1 OF 1	
REV. F	WC-REV. A.5	Ⓞ: Inspection item	

**Amphenol LTW**  
安費諾亮泰企業股份有限公司

ITEM NO	DWG NO	CUSTOMER	DRAWN BY	DATE
	M12D-XXPMMC-SH8BXX	ALTW	Vicky	2019-09-18
			CHECKED BY	DATE
			Rita	2019-09-18
			APPROVED BY	DATE
			Max	2019-09-18