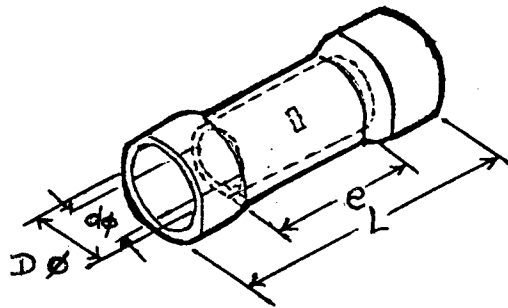




RS NO.: 534-519



Wire Range		Color	Dimension (mm)				Stud Size	
AWG	mm ²		dφ	L	Dφ	e	AWG	mm
.12-10	2.5-6.0	YELLOW	3.5	26.8	5.8	15.7		

NOTE: TOLERANCE OF DIMENSION $\pm 0.2\text{mm}$
 FINISH: 3-5 TIN PLATING
 MATERIAL: COPPER

PACKING: A) PER PACK : 100 pcs in a polybag with abel.
 PER CARTON: 100 packs.
 B) PER PACK : 1,000 pcs in a polybag with abel.
 PER CARTON: 10 packs.

