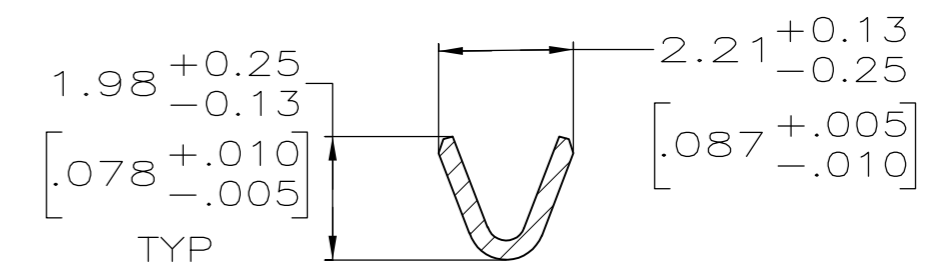
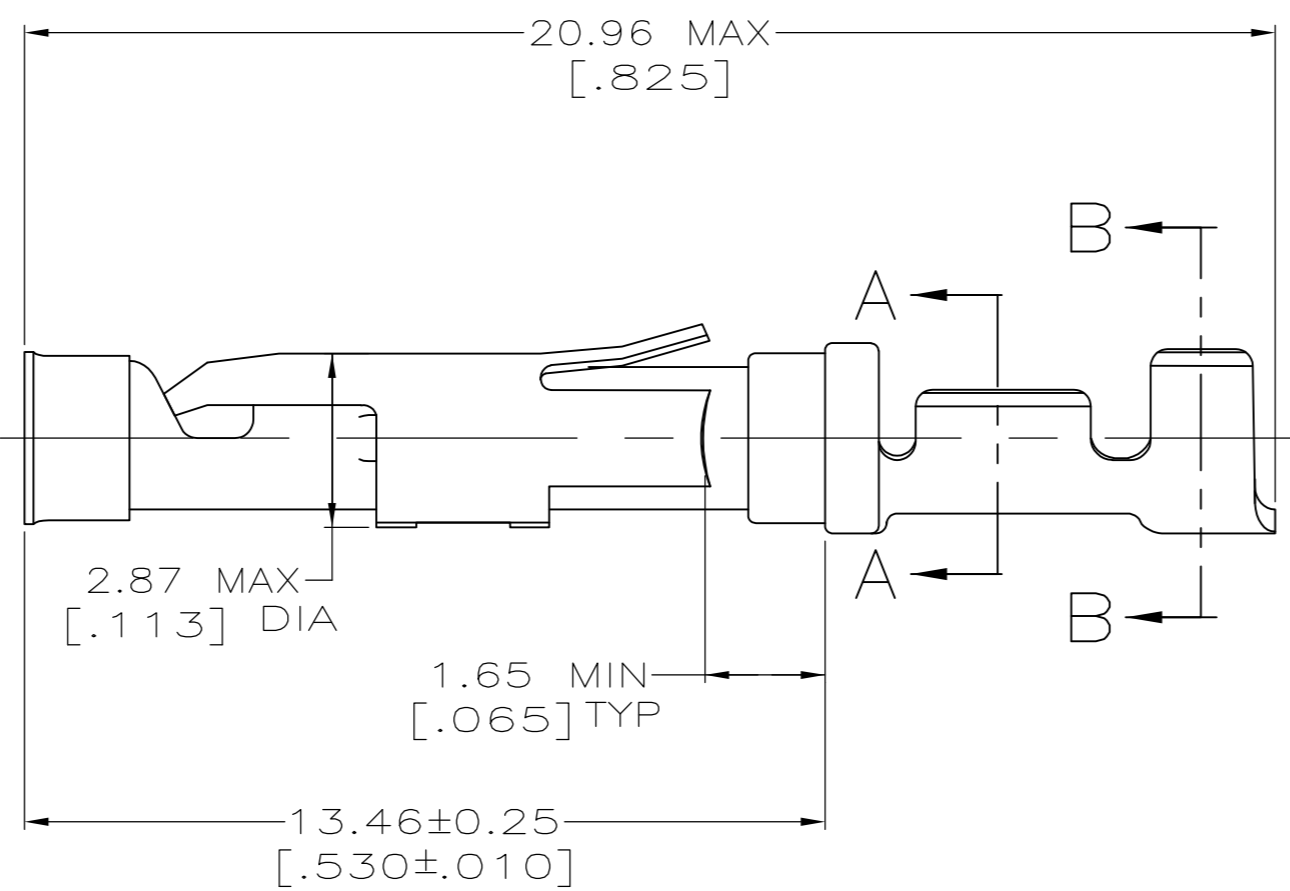
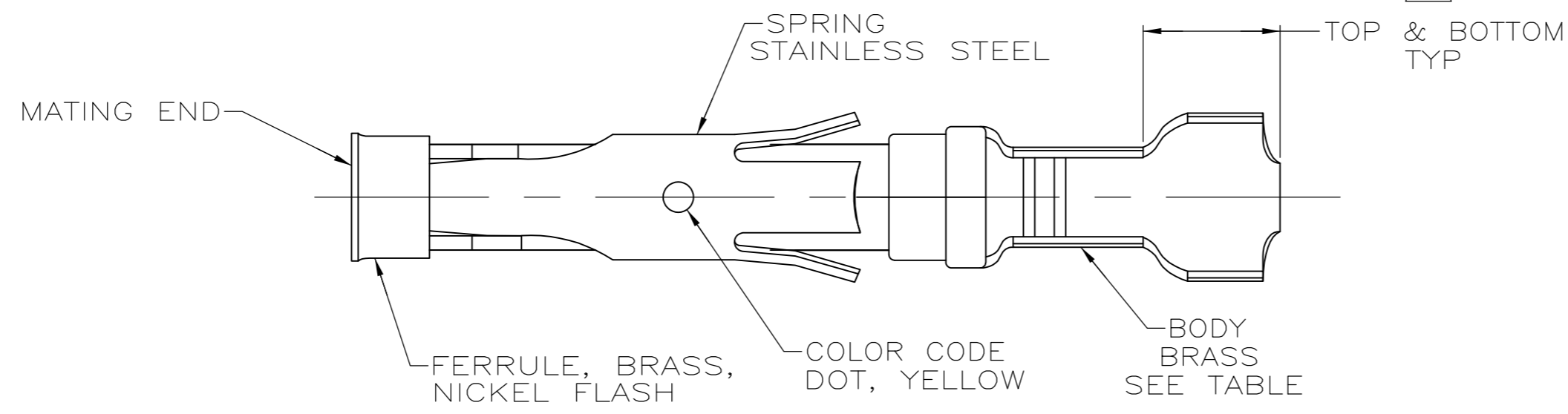
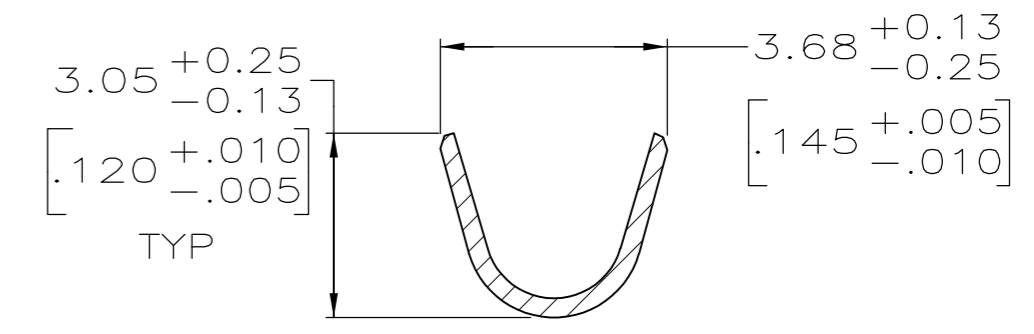


THIS DRAWING IS UNPUBLISHED. RELEASED FOR PUBLICATION
 © COPYRIGHT - By - ALL RIGHTS RESERVED.

LOC	DIST	REVISIONS					
FT	47	P	LTR	DESCRIPTION	DATE	DWN	APVD
		P		REVISED PER ECO-12-012320	05JUL12	KH	MZ



SECTION A-A



SECTION B-B

- ① 0.76µm [.000030] MIN GOLD PER MIL-G-45204 ON MATING END FOR A LENGTH OF 5.08 [.200] MIN WITH 1.27µm [.000050] MIN MATTE TIN PLATE IN WIRE CRIMP AREA, BOTH OVER 0.76µm [.000030] MIN NICKEL PER QQ-N-290.
- ② 0.76µm [.000030] MIN GOLD PER MIL-G-45204 ON MATING END FOR A LENGTH OF 5.08 [.200] MIN WITH A UNIFORM GRADIENT TO 0.25µm [.000010] MIN GOLD PER MIL-G-45204 ON THE REMAINDER OVER 0.76µm [.000030] MIN NICKEL PER QQ-N-290.
- ③ 0.38µm [.000015] MIN GOLD PER MIL-G-45204 ON MATING END FOR A LENGTH OF 5.08 [.200] MIN WITH 1.27µm [.000050] MIN MATTE TIN PLATE IN WIRE CRIMP AREA, BOTH OVER 0.76µm [.000030] MIN NICKEL PER QQ-N-290.
- ④ 1.27µm [.000050] MIN TIN-LEAD PER MIL-T-10727 OVER 0.76µm [.000030] MIN NICKEL PER QQ-N-290.
- ⑤ GOLD PLATING NEED NOT APPEAR IN THIS AREA.
- ⑥ WIRE RANGE 24-20 AWG. INSULATION RANGE 2.03 [.080]-2.54 [.100].
- ⑦ 0.38µm [.000015] MIN GOLD PER MIL-G-45204 ON MATING END FOR A LENGTH OF 5.08 [.200] MIN, 1.27µm [.000050] MIN TIN-LEAD PER MIL-T-10727 FOR A LENGTH OF 5.69 [.224] MIN ON OPPOSITE END, BOTH OVER 1.27µm [.000050] MIN NICKEL PER QQ-N-290 ON ENTIRE CONTACT.
- ⑧ 1.27µm [.000050] MIN TIN PER MIL-T-10727 OVER 0.76µm [.000030] MIN NICKEL PER QQ-N-290.
- ⑨ OBSOLETE PARTS: OBSOLETE CIS STREAMLINING PER D.RENAUD/D.SINISI

PACKAGING TYPE	BODY FINISH	STRIP P/N REF	PART NO
SMALL PACK	⑧	1-66399-0	1-66399-1
STANDARD	⑧	1-66331-4	1-66399-0
SMALL PACK	①	66331-4	66399-9
⑨ OBSOLETE SMALL PACK	③	66331-7	66399-8
⑨ OBSOLETE SMALL PACK	②	66331-2	66399-7
SMALL PACK	④	66331-1	66399-6
OBSOLETE STANDARD	⑦	1-66331-2	66399-5
STANDARD	①	66331-4	66399-4
STANDARD	③	66331-7	66399-3
STANDARD	②	66331-2	66399-2
STANDARD	④	66331-1	66399-1

THIS DRAWING IS A CONTROLLED DOCUMENT.

DWN R.SHIREY 7-30-91		NAME: SOCKET ASSEMBLY, LOOSE PIECE, TYPE III+				
CHK R.STONE 9-19-91						
APVD J.ESTMAN 9-20-91						
PRODUCT SPEC						
MATERIAL: SEE CALLOUTS	FINISH: SEE CALLOUTS	WEIGHT: -	SIZE: A2	CAGE CODE: 00779	DRAWING NO: C-66399	RESTRICTED TO: -
CUSTOMER DRAWING		SCALE: 8:1	SHEET: 1 of 1	REV: P		