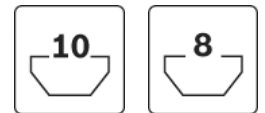
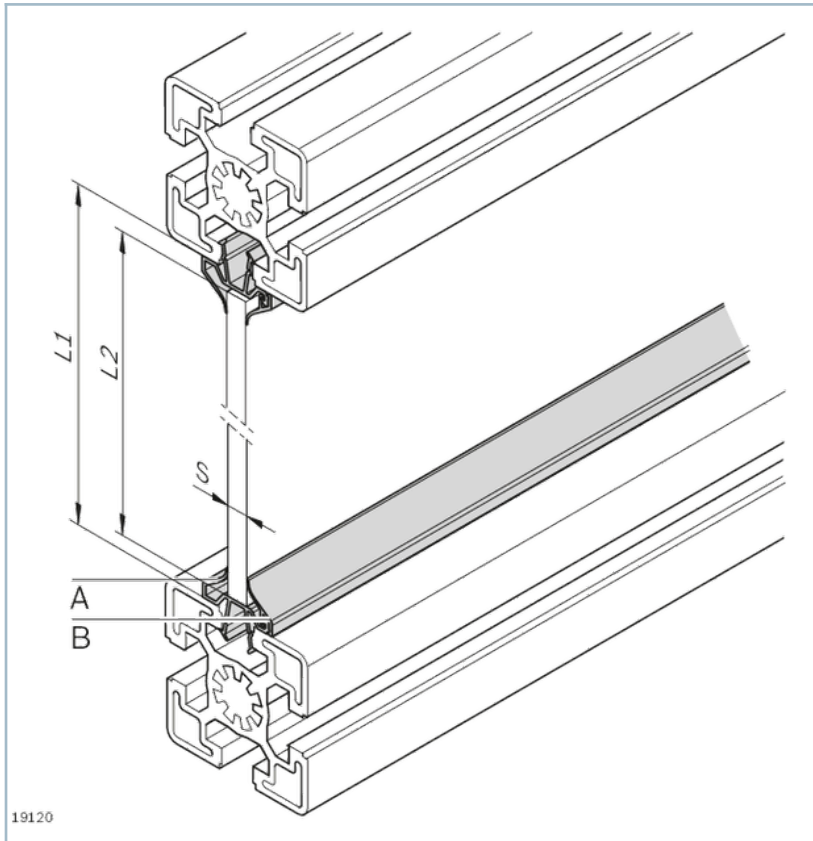


Protective pane profile, PVC

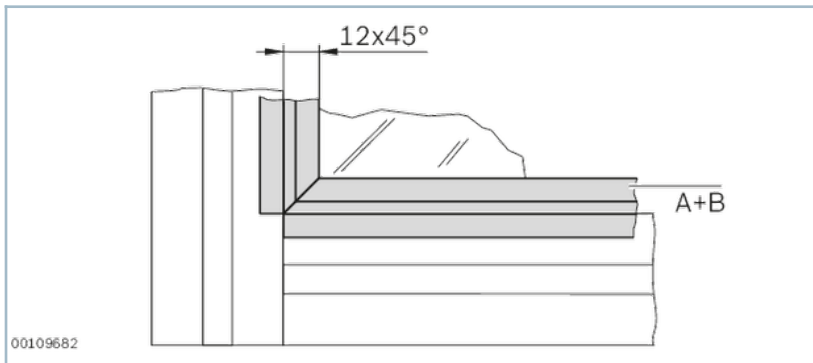


- For the play-free mounting of surface elements in the profile slot
 - For surface elements with a thickness of 1.5–8 mm
 - For subsequent installation in closed frame constructions
 - Installation of surface elements at center of slot
 - The protective pane profile consists of the basic profile (A) and the clip-on strip (B)
-
- With sealing lips for sealing the workspace from water spray

Product description



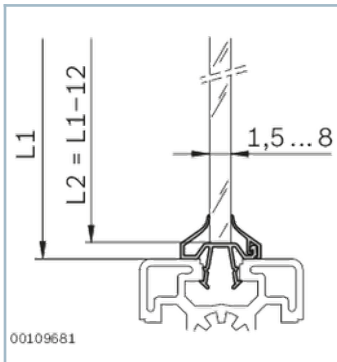
Technical data



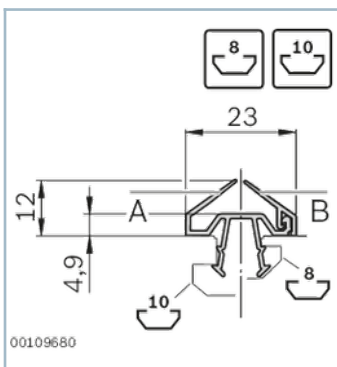
No.	Material
3842555284	PVC; signal gray RAL 7004
3842555286	

Dimensions


Protective pane profile, PVC



Protective pane profile, PVC



Ordering codes

	Groove	s	L		No.
		mm	mm		
Protective pane profile PVC, base profile	8, 10	15 ... 8	2000	10	3842555284
Protective pane profile PVC, clip-on strip	8, 10	15 ... 8	2000	10	3842555286