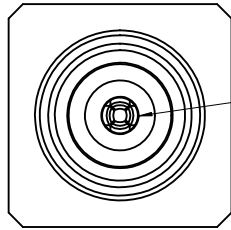


MATERIALS & FINISHES:

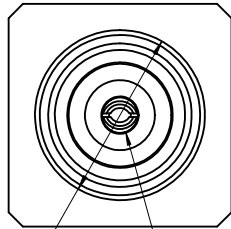
BODY: BRASS
PLATING: SEE TABLE

CONTACT: BERYLLIUM COPPER
PLATING: GOLD 30u"

INSULATOR: TEFLON



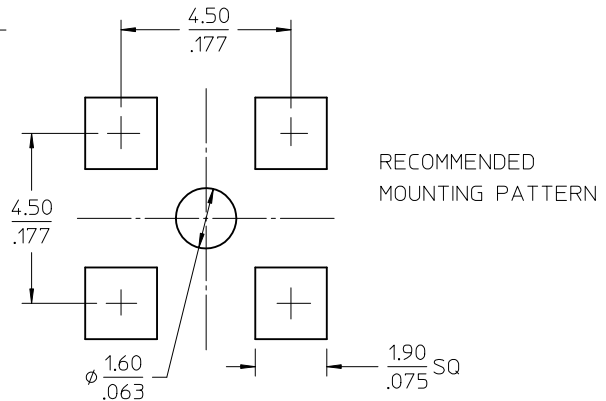
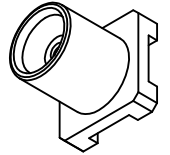
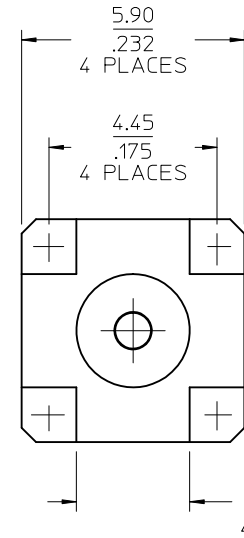
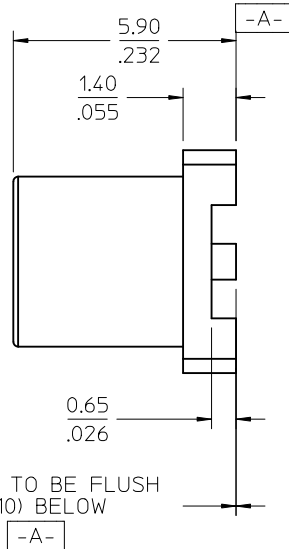
73415-1696
4 SLOT CONTACT



ϕ 4.50
.177

NOTE:
73415-1696 AND 73415-1697 WITH 4 SLOTS.
ALL OTHERS WITH 2 SLOT CONTACT.

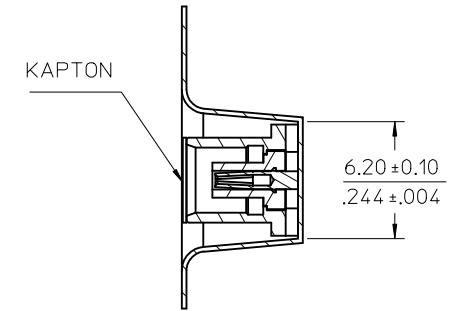
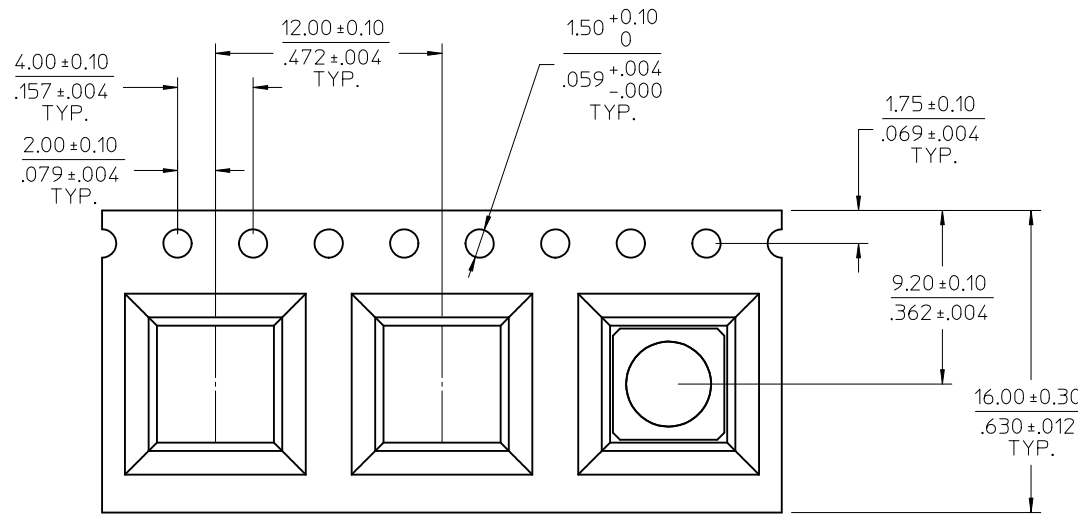
CONTACT TO BE FLUSH
- TO .004(0.10) BELOW
SURFACE



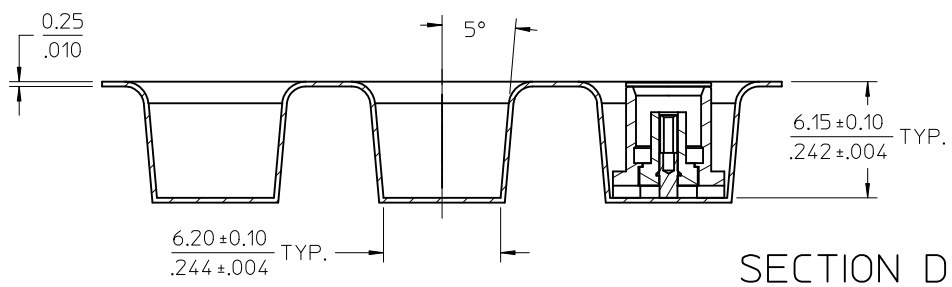
73415-1699	ONE PIECE PER BAG	GOLD (1 u")
73415-1698	T&R SEE SHEET2 NOTE	GOLD (30 u")
73415-1697	73415-1696 WITH T&R SEE SHEET2 NOTE	GOLD (1 u")
73415-1696	GENERAL	GOLD (1 u")
73415-1695	73415-1690 WITH T&R SEE SHEET2 NOTE	NICKEL
73415-1694	73415-1691 PACKAGING SMALL TRAY	GOLD (1 u")
73415-1693	73415-1690 PACKAGING SMALL TRAY	NICKEL
73415-1692	73415-1691 WITH T&R SEE SHEET2 NOTE	GOLD (1 u")
73415-1691	GENERAL	GOLD (1 u")
73415-1690	GENERAL	NICKEL
PART NO.	PACKAGING	BODY PLATING

PS-89675-1830	PERFORMANCE
SPECIFICATION	DESCRIPTION

CHG: ADDED -1699 EC NO: URF2011-0644 DRWN: JWIENER 2011/05/02 CHKD: SSS 2011/05/02 APPR: JWIENER 2011/05/03 DESCRIPTION REV: B2	QUALITY SYMBOLS ▽=0 ▽=0	GENERAL TOLERANCES (UNLESS SPECIFIED) <table border="1"> <tr> <th></th> <th>mm</th> <th>INCH</th> </tr> <tr> <td>4 PLACES ±</td> <td>---</td> <td>---</td> </tr> <tr> <td>3 PLACES ±</td> <td>---</td> <td>---</td> </tr> <tr> <td>2 PLACES ±</td> <td>---</td> <td>---</td> </tr> <tr> <td>1 PLACE ±</td> <td>---</td> <td>---</td> </tr> </table> ANGULAR ± 2°		mm	INCH	4 PLACES ±	---	---	3 PLACES ±	---	---	2 PLACES ±	---	---	1 PLACE ±	---	---	DIMENSION STYLE MM/IN DRAWN BY DATE LMB 2000/11/9 CHECKED BY DATE SSS 2000/11/9 APPROVED BY DATE JWIENER 2010/04/23	SCALE DESIGN UNITS METRIC THIRD ANGLE PROJECTION	TITLE MCX PCB/SMT JACK 50 OHM MCX-J/PCB/SMT EWR-1148	MATERIAL NO. SEE TABLE	DOCUMENT NO. SD-73415-169	SHEET NO. 1 OF 2
		mm	INCH																				
	4 PLACES ±	---	---																				
	3 PLACES ±	---	---																				
2 PLACES ±	---	---																					
1 PLACE ±	---	---																					
DRAFT WHERE APPLICABLE MUST REMAIN WITHIN DIMENSIONS		THIS DRAWING CONTAINS INFORMATION THAT IS PROPRIETARY TO MOLEX INCORPORATED AND SHOULD NOT BE USED WITHOUT WRITTEN PERMISSION																					



SECTION B-B



SECTION D-D

NOTE:
 750 CONNECTOR PER REEL ON 13 INCH REEL,
 16mm TAPE, 12mm CAVITY PITCH
 TAPE CAP ON EACH PART

CHG: SEE SHEET1 EC NO: URF2011-0644 DRWN:JWIENER 2011/05/02 CHKD:SSS 2011/05/02 APPR:JWIENER 2011/05/03	DESCRIPTION REV	QUALITY SYMBOLS ▽=0 ▽=0	GENERAL TOLERANCES (UNLESS SPECIFIED)		DIMENSION STYLE	SCALE	DESIGN UNITS	THIRD ANGLE PROJECTION
			mm	INCH	MM/IN	METRIC		
B2			4 PLACES ± --- ± ---		DRAWN BY LMB	DATE 2000/11/9	TITLE MCX PCB/SMT JACK 50 OHM MCX-J/PCB/SMT EWR-1148	
			3 PLACES ± --- ± ---		CHECKED BY SSS	DATE 2000/11/9	MOLEX INCORPORATED	
			2 PLACES ± --- ± ---		APPROVED BY JWIENER	DATE 2010/04/23		
			1 PLACE ± --- ± ---		MATERIAL NO. SEE SHEET1	DOCUMENT NO. SD-73415-169		SHEET NO. 2 OF 2
DRAFT WHERE APPLICABLE MUST REMAIN WITHIN DIMENSIONS			THIS DRAWING CONTAINS INFORMATION THAT IS PROPRIETARY TO MOLEX INCORPORATED AND SHOULD NOT BE USED WITHOUT WRITTEN PERMISSION					