


Ordering number FA11902_TINA3-W

Family	Tina3	FWHM	37 degrees
Type	Assembly	Efficiency	92 %
LED	XM-L	cd/lm	1.370
Color	White	Gerber File	Available
Diameter	16.1 mm		
Height	7.3 mm		
Style	Round		
Optic Material	PMMA		
Holder Material	PC		
Fastening	Pin, tape		
Status	Ready		

Ordering number FA11903_TINA3-WW

Family	Tina3	FWHM	56 degrees
Type	Assembly	Efficiency	89 %
LED	XM-L	cd/lm	0.850
Color	White	Gerber File	Available
Diameter	16.1 mm		
Height	7.1 mm		
Style	Round		
Optic Material	PMMA		
Holder Material	PC		
Fastening	Pin, tape		
Status	Ready		

Ordering number FA11904_TINA3-WWW

Family	Tina3	FWHM	70 degrees
Type	Assembly	Efficiency	89 %
LED	XM-L	cd/lm	0.600
Color	White	Gerber File	Available
Diameter	16.1 mm		
Height	7 mm		
Style	Round		
Optic Material	PMMA		
Holder Material	PC		
Fastening	Pin, tape		
Status	Ready		

NOTE: The typical divergence will be changed by different color, chip size and chip position tolerance. The typical total divergence is the full angle measured where the luminous intensity is half of the peak value.



PRODUCT DATASHEET

Tina3 series

last update 20/9/2012

GENERAL INFORMATION

- Product series especially designed & optimized for XM-L series of LEDs.
- Special care taken to make light distribution as uniform as possible.
- Lens material optical grade PMMA with high UV and temperature resistance. Allows use of high current and temperature conditions.

Please find more information about used material from below:

http://ledil.fi/sites/default/files/Documents/Technical/Material/PMMA%20N%20UL94_Yellow%20Card.pdf

<http://ledil.fi/sites/default/files/Documents/Technical/Material/PMMA%20N%20PLEXIGLAS-Datasheet.pdf>

- Optic holder molded by high quality PC material (120 degrees of Celcius / 248 degrees of Fahrenheit).

D

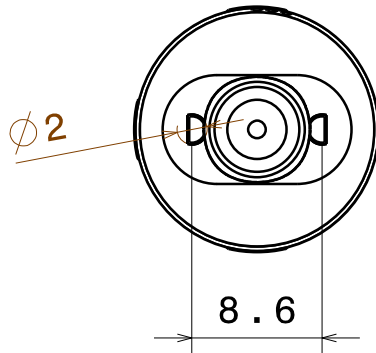
C

B

A

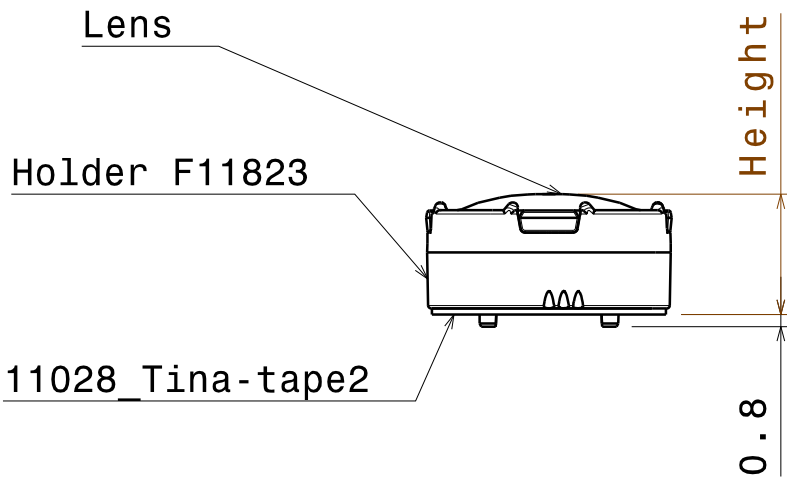
4

4



3

3



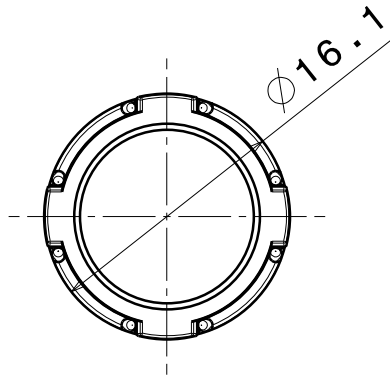
Height:
S:11.36
W:7.95
WW:7.1
WWW:6.9

2

2

MATERIALS
Lens: PMMA
Holder: PC
Tape: PU Foam

Part no.s:
FA11905_Tina3-S-XM
FA11902_Tina3-W-XM
FA11903_Tina3-WW-XM
FA11904_Tina3-WWW-XM



This drawing is our property.
It can't be reproduced
or communicated without
our written agreement.



Ledil Oy
Tehdaskatu 13
FIN-24100 SALO
Finland

DRAWING TITLE

Datasheet Tina3-series Assy XM

DRAWN BY
ah

DATE
18.05.2011

CHECKED BY
ah

DATE
18.5.2011

SIZE
A4

DRAWING NUMBER

-

REV
1

DESIGNED BY
pv

DATE
13.10.2010

SCALE

2:1

WEIGHT (g)

-

SHEET

1/1

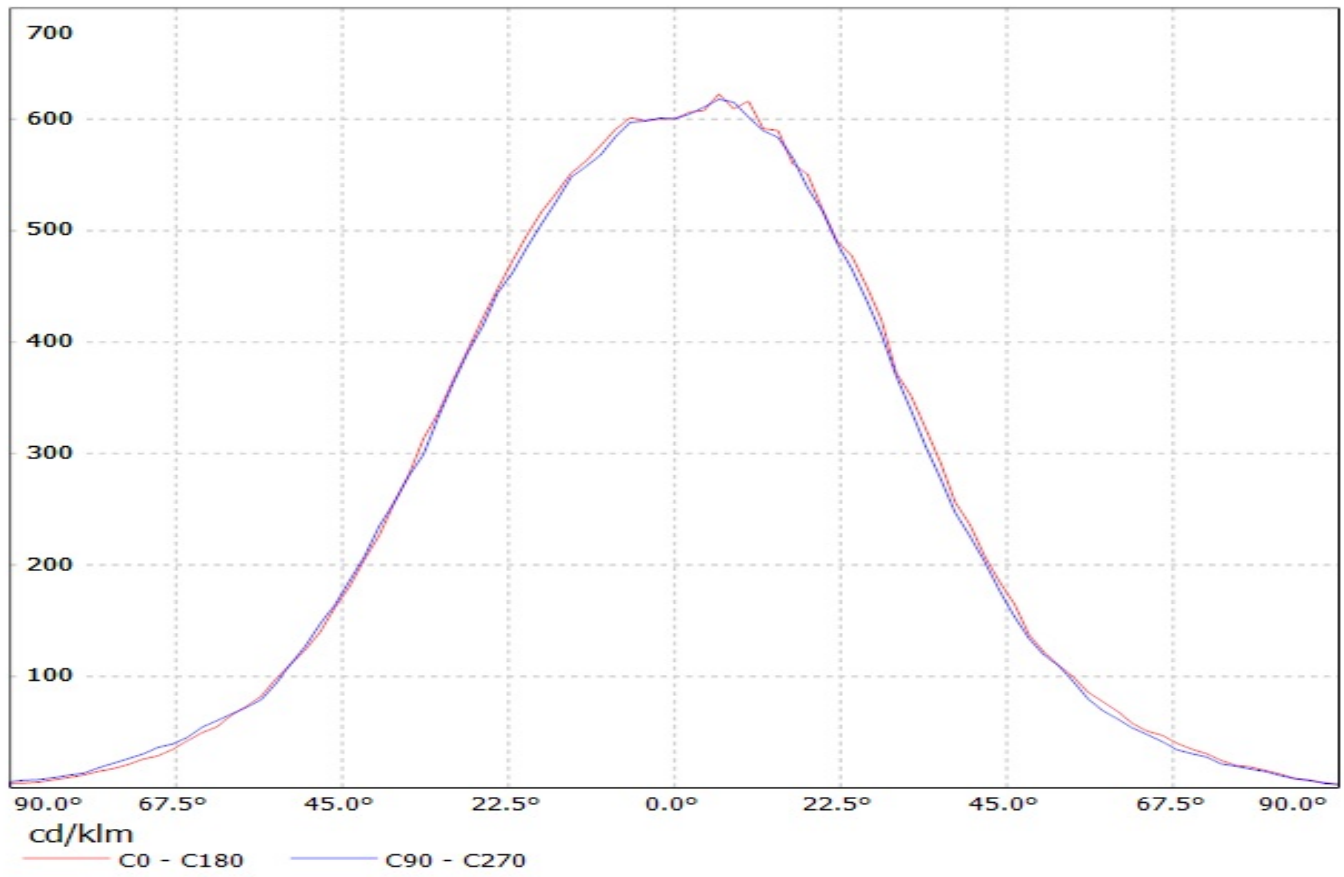
D

A

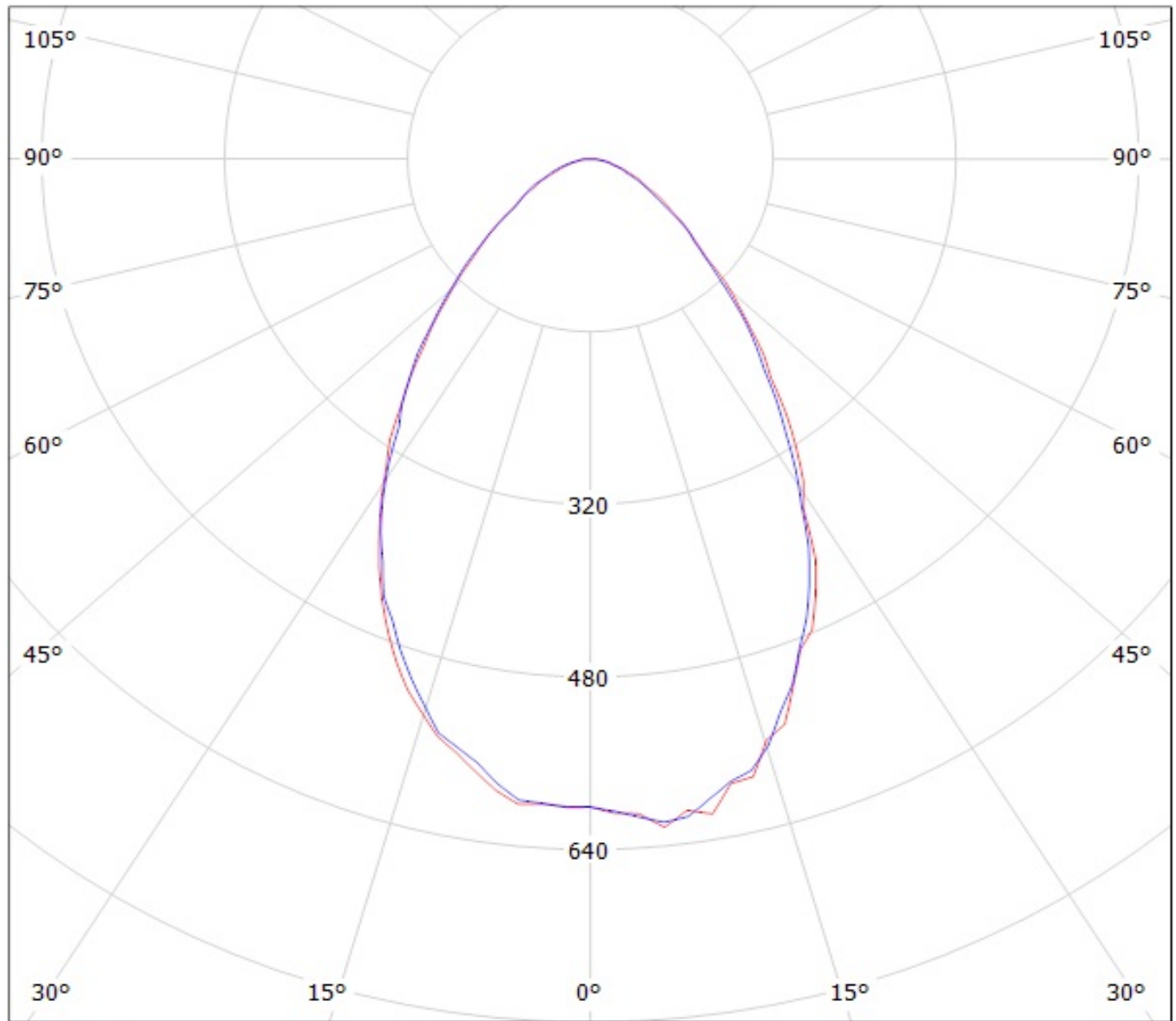
1

1

Luminaire: Ledil Oy FA11904_TINA3-WWW (Cree XM-L 90lm @ 250mA) Efficiency=89%
Lamps: 1 x Cree XM-L 90lm @ 250mA



Luminaire: Ledil Oy FA11904_TINA3-WWW (Cree XM-L 90lm @ 250mA) Efficiency=89%
Lamps: 1 x Cree XM-L 90lm @ 250mA



cd/klm

— C0 - C180 — C90 - C270