

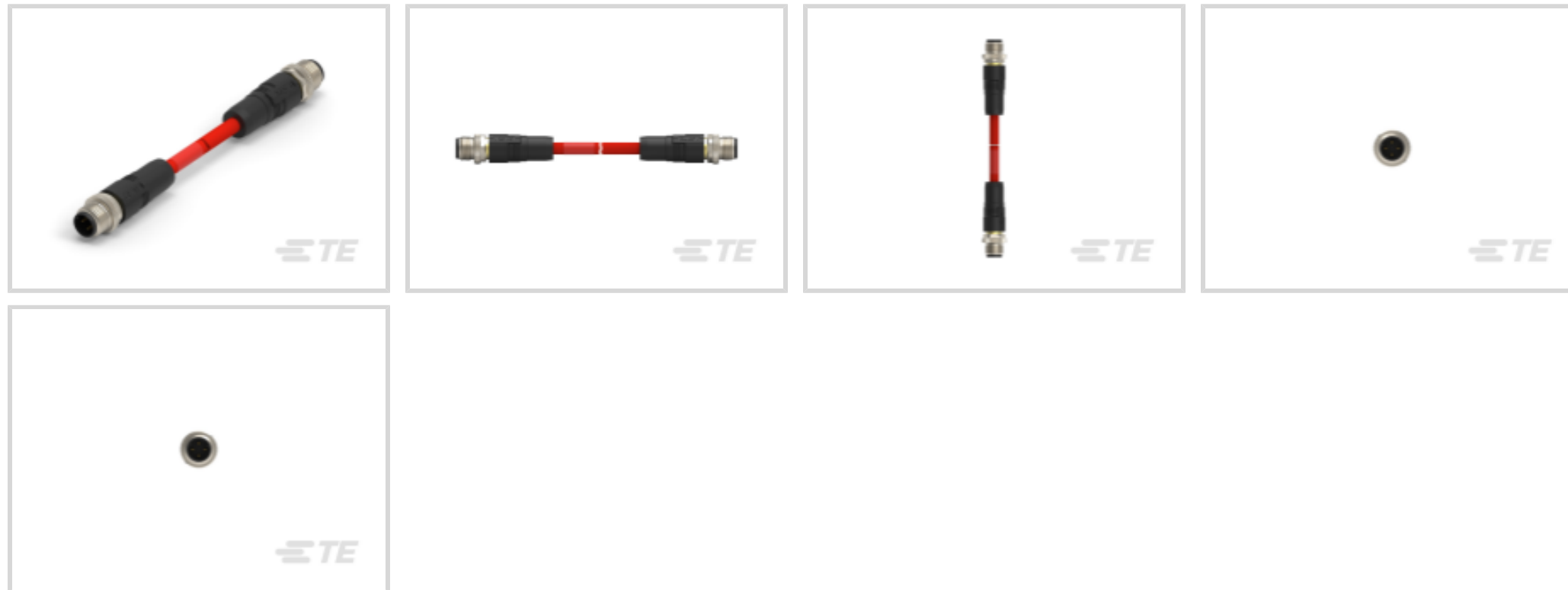


TE Internal #: TAD14741311-002

M8/M12 Cable Assemblies, Industrial Ethernet, SERCOS III, 4 Positions, D M8/M12 Cable Assembly Keying, Plug/Plug, M12 to M12, Straight-Straight

[View on TE.com >](#)

Cable Assemblies > Copper Cable Assemblies > M8/M12 Cable Assemblies > Ethernet, Sercos-III M12-D 4p PVC Red DE



M8/M12 Application Type: **Industrial Ethernet**

Number of M8/M12 Cable Assembly Positions: **4**

Industrial Protocols: **SERCOS III**

M8/M12 Cable Assembly Keying: **D**

M8/M12 Cable Assembly Connector Type: **Plug/Plug**

[All Ethernet, Sercos-III M12-D 4p PVC Red DE \(18\)](#)

Features

Product Type Features

LED	Without
Product Type	Cable Assembly
Cable Type	PVC
Assembly Type	Overmolded
M8/M12 Cable Assembly Connector Type	Plug/Plug
M8/M12 Cable Assembly Type	M12 to M12
M8/M12 Cable Assembly Shielded	Yes

Configuration Features

Number of Strands	7
Number of M8/M12 Cable Assembly Positions	4
M8/M12 Cable Assembly Keying	D
M8/M12 Cable Assembly Configuration	Double Ended

Electrical Characteristics



Operating Voltage	250 VDC
-------------------	---------

Body Features

Environmental Protection	IP67
Conductor Material	Tinned Copper
Connector Color	Black
Wire Color	Yellow-Orange-White-Blue
Insulation Material	PVC
Cable Jacket Color	Red

Contact Features

Contact Current Rating	4 A
------------------------	-----

Mechanical Attachment

M8/M12 Cable Assembly Mounting Angle	Straight-Straight
--------------------------------------	-------------------

Housing Features

M8/M12 Cable Assembly Housing Material	PA66+25GF
--	-----------

Dimensions

Overall Outside Cable Diameter	6.5 mm
Wire Size	22 AWG
Cable Assembly Length	1000 mm

Operation/Application

M8/M12 Application Type	Industrial Ethernet
-------------------------	---------------------

Industry Standards

Industrial Protocols	SERCOS III
----------------------	------------

Packaging Features

Packaging Method	Bag
Packaging Quantity	5

Product Compliance

[For compliance documentation, visit the product page on TE.com>](#)

EU RoHS Directive 2011/65/EU	Compliant with Exemptions
EU ELV Directive 2000/53/EC	Compliant with Exemptions
China RoHS 2 Directive MIIT Order No 32, 2016	Restricted Materials Above Threshold
EU REACH Regulation (EC) No. 1907/2006	



Current ECHA Candidate List: JUN 2020
(209)
Candidate List Declared Against: JAN 2020
(205)
SVHC > Threshold:
Not Yet Reviewed

Halogen Content
Not Low Halogen - contains Br or Cl > 900 ppm.

Solder Process Capability
Not applicable for solder process capability

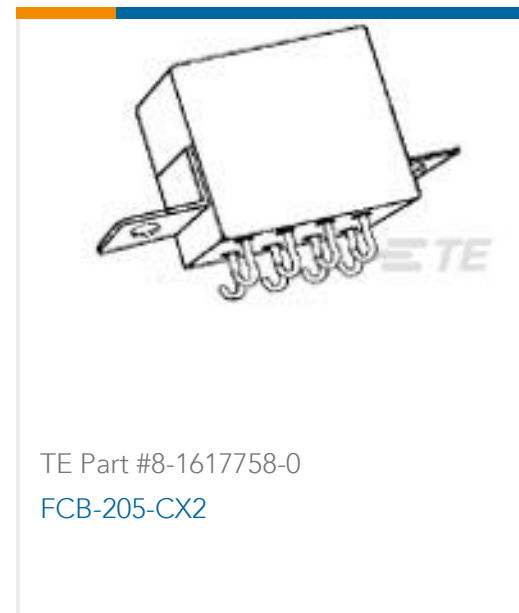
Product Compliance Disclaimer

This information is provided based on reasonable inquiry of our suppliers and represents our current actual knowledge based on the information they provided. This information is subject to change. The part numbers that TE has identified as EU RoHS compliant have a maximum concentration of 0.1% by weight in homogenous materials for lead, hexavalent chromium, mercury, PBB, PBDE, DBP, BBP, DEHP, DIBP, and 0.01% for cadmium, or qualify for an exemption to these limits as defined in the Annexes of Directive 2011/65/EU (RoHS2). Finished electrical and electronic equipment products will be CE marked as required by Directive 2011/65/EU. Components may not be CE marked. Additionally, the part numbers that TE has identified as EU ELV compliant have a maximum concentration of 0.1% by weight in homogenous materials for lead, hexavalent chromium, and mercury, and 0.01% for cadmium, or qualify for an exemption to these limits as defined in the Annexes of Directive 2000/53/EC (ELV). Regarding the REACH Regulation, the information TE provides on SVHC in articles for this part number is based on the latest European Chemicals Agency (ECHA) 'Guidance on requirements for substances in articles' posted at this URL: <https://echa.europa.eu/guidance-documents/guidance-on-reach>

Compatible Parts



Customers Also Bought





Documents

Product Drawings

[M12D4-MS-MS-PVC TYPE B RED-1.0M](#)

English

CAD Files

[3D PDF](#)

3D

Customer View Model

[ENG_CVM_CVM_TAD14741311-002_A.2d_dxf.zip](#)

English

Customer View Model

[ENG_CVM_CVM_TAD14741311-002_A.3d_igs.zip](#)

English

Customer View Model

[ENG_CVM_CVM_TAD14741311-002_A.3d_stp.zip](#)

English

By downloading the CAD file I accept and agree to the [Terms and Conditions](#) of use.

Datasheets & Catalog Pages

[M8 / M12 Connector System Catalog](#)

English

[M8/M12 Cable Assemblies Brochure](#)

English

Product Specifications

[Application Specification](#)

English



Product Environmental Compliance

Product Compliance

English

Product Compliance

English