

## Lynx-TE FSD

SA LYNX-TE 26W/840 FSD

0027855



### Range features

- Triple pin-base lamps for traditional fixtures, new installations and downlights
- Suitable for operation on electronic control gear
- Excellent colour rendering - (CRI= 80-89)
- Rapid Run-up
- Dimmable with suitable dimmer
- Available in Warm White (3000K and Cool White (4000K)
- Average Rated Life 15000 hrs



### PRODUCT OVERVIEW

Ordering number	0027855
Technology	Compact Fluorescent
Light colour	840 Cool White
Energy class	A
Average life (Rated) (h)	15000
Lamp shape	Stick
Lamp finish	Frosted
Dimmable	NO
Cap/Base	GX24q-3
Type	Lynx TE
EAN code	5410288278551
CRI (Ra)	80
Colour temperature (K)	4000
Luminous flux (Rated) (lm)	1800
Efficacy (Rated) (lm/w)	66
Watt (Nominal) (W)	26
Voltage (V)	105

# Lynx-TE FSD

*SA LYNX-TE 26W/840 FSD*

**0027855**

---

## **DATA TABLE**

---

## Lynx-TE FSD

SA LYNX-TE 26W/840 FSD

**0027855**

### General data

<b>Ordering number</b>	0027855
<b>Dry applications use only</b>	yes
<b>Technology</b>	Compact Fluorescent
<b>Energy class</b>	A
<b>Average life (Nominal) (h)</b>	15000
<b>Average life (Rated) (h)</b>	15000
<b>Lamp finish</b>	Frosted
<b>Lamp shape</b>	Stick
<b>Dimmable</b>	NO
<b>Cap/Base</b>	GX24q-3
<b>Type</b>	Lynx TE
<b>EAN code</b>	5410288278551
<b>E-number SE</b>	8357432
<b>E-number FI</b>	4944140
<b>Long description</b>	Triple pin-base lamps for traditional fixtures, new installations and downlights. Suitable for operation on electronic control gear. Excellent colour rendering - (CRI= 80-89). Rapid Run-up. Dimmable with suitable dimmer. Available in Warm White (3000K and Cool White (4000K). Average Rated Life 15000 hrs
<b>Product name</b>	SA LYNX-TE 26W/840 FSD
<b>Lamp mercury content (mg)</b>	< 2.50 mg
<b>Starting time (max) (s)</b>	10 Sec
<b>Control gear required</b>	Yes
<b>IEC Reference</b>	IEC 60901
<b>IEC Reference 2</b>	IEC 61199
<b>IEC Reference 3</b>	IEC 60921
<b>Intended purpose</b>	General lighting
<b>Special purpose lamp</b>	No
<b>Transformer required</b>	No
<b>Sales pack quantity</b>	10
<b>Rated survival factor at 2000 h 50Hz</b>	0.99
<b>Rated survival factor at 2000 h High Frequency</b>	> 0.99
<b>Rated survival factor at 4000 h 50Hz</b>	0.98
<b>Rated survival factor at 4000 h High Frequency</b>	> 0.98
<b>Rated survival factor at 6000 h 50Hz</b>	0.93
<b>Rated survival factor at 6000 h High Frequency</b>	> 0.95
<b>Rated survival factor at 8000 h 50Hz</b>	0.88
<b>Rated survival factor at 8000 h High Frequency</b>	> 0.92
<b>Rated survival factor at 12000 h 50Hz</b>	0.7
<b>Rated survival factor at 12000 h High Frequency</b>	> 0.88
<b>Rated survival factor at 16000 h 50Hz</b>	> 0.60
<b>Rated survival factor at 16000 h High Frequency</b>	> 0.80

## Lynx-TE FSD

SA LYNX-TE 26W/840 FSD

0027855

Rated survival factor at 20000 h 50Hz	> 0.25
Rated survival factor at 20000 h High Frequency	> 0.50

### Optical data

Light colour	840 Cool White
CRI (Ra)	80
Colour temperature (K)	4000
Luminous flux (Rated) (lm)	1800
Luminous flux (Nominal) (lm)	1800
Ambient temperature for maximum luminous flux (°C)	25
Rated lumen maint. factor at 2000 h 50Hz	0.90
Rated lumen maint. factor at 4000 h 50Hz	0.84
Rated lumen maint. factor at 6000 h 50Hz	0.82
Rated lumen maint. factor at 8000 h 50Hz	0.81
Rated lumen maint. factor at 12000 h 50Hz	0.75
Rated lumen maint. factor at 16000 h 50Hz	> 0.78
Rated lumen maint. factor at 20000 h 50Hz	> 0.75
Rated lumen maint. factor at 2000 h High Frequency	> 0.92
Rated lumen maint. factor at 4000 h High Frequency	> 0.88
Rated lumen maint. factor at 6000 h High Frequency	> 0.86
Rated lumen maint. factor at 8000 h High Frequency	> 0.84
Rated lumen maint. factor at 12000 h High Frequency	> 0.80
Rated lumen maint. factor at 16000 h High Frequency	> 0.78
Rated lumen maint. factor at 20000 h High Frequency	> 0.75

### Electrical data

kWh per 1000 hours burning time	31
Efficacy (Rated) (lm/w)	66
Rated lamp efficacy (lm/W) 100H 50Hz at optimum temp.	66
Watt (Rated) (W)	26
Watt (Nominal) (W)	26
Voltage (V)	105
Ignition voltage (V)	0
Current (A)	0.325

# Lynx-TE FSD

SA LYNX-TE 26W/840 FSD

**0027855**

## Physical data

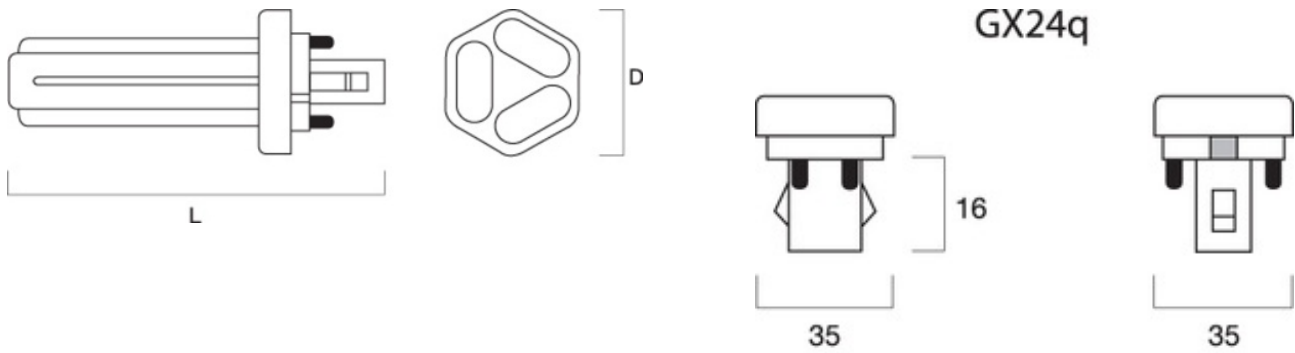
<b>Weight (kg)</b>	0.08
<b>Length base to base (mm) - A</b>	132
<b>Lamp Length (mm) - C/L</b>	116
<b>Max. Lamp Diameter (mm) - D</b>	49
<b>Single packaging type</b>	Box/Sleeve
<b>Single package dimensions (L x W x H) (cm)</b>	5.10 x 4.70 x 14.20
<b>Outer package dimensions (L x W x H) (cm)</b>	26.70 x 10.30 x 15.60

## Lynx-TE FSD

SA LYNX-TE 26W/840 FSD

0027855

### TECHNICAL DRAWINGS



### ENERGY LABEL

