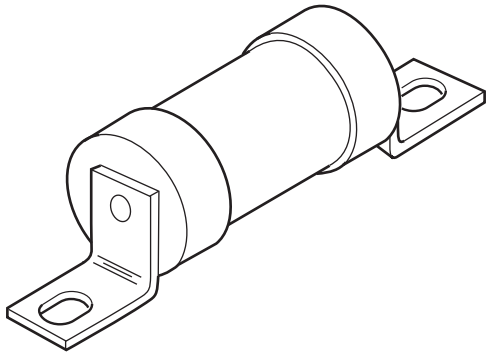


Industrial HRC Fuse

21.4 x 87mm, BS88, IEC 269-1

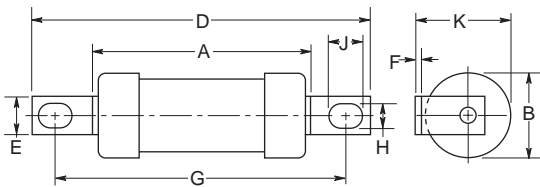
Offset Bolted Tags

BAO

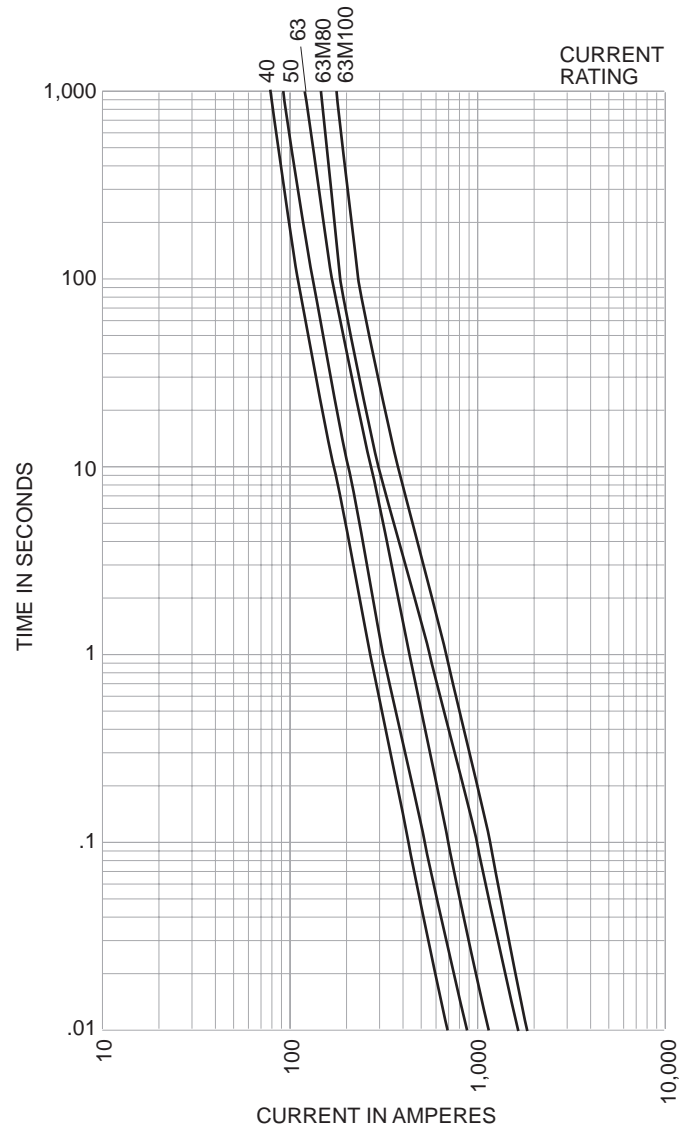


CATALOG SYMBOL: BAO
 INDUSTRIAL HRC FUSE
 OFFSET BOLTED TAGS
 PACKAGE QUANTITY: 20
 80kA INTERRUPTING RATING
 MOUNTS IN CAMASTER CM63F SERIES OF HOLDERS

Dimensional Data:



Time-Current Characteristic Curve (Full Size Curves Available)



Electrical Characteristics

| Catalog Number | Ampere Rating | I ² T (Amp ² Seconds) | | | Nom Watts Loss | Rated Voltage | Dimensions (Inches/mm) | | | | | | | | |
|----------------|---------------|---|---------------|---------------|----------------|---------------|------------------------|------|--------------|--------------|-------------|------|-------------|-----|------|
| | | Pre-Arcing | Total At 415V | Total At 550V | | | A | B | D | E | F | G | H | J | K |
| BAO40 | 40 | 1400 | 3600 | 5000 | 4.7 | 550AC | 54.0 | 21.0 | 3.43 87.0 | 0.50 12.7 | 0.05 1.2 | 73.5 | 0.22 5.5 | 8.0 | 22.3 |
| BAO50 | 50 | 3000 | 8050 | 11,250 | 4.9 | | | | | | | | | | |
| BAO63 | 63 | 6700 | 18,850 | 25,100 | 5.6 | | | | | | | | | | |
| BAO63M80 | 63M80 | 12,600 | 33,900 | 50,000 | 7.2 | | | | | | | | | | |
| BAO63M100 | 63M100 | 24,000 | 72,500 | 90,000 | 8.5 | | | | | | | | | | |

This bulletin is intended to clearly present comprehensive product data and provide technical information that will help the end user with design applications. Bussmann reserves the right, without notice, to change design or construction of any products and to discontinue or limit distribution of any products. Bussmann also reserves the right to change or update, without notice, any technical information contained in this bulletin. Once a product has been selected, it should be tested by the user in all possible applications.

