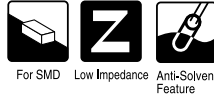


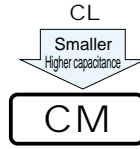
ALUMINUM ELECTROLYTIC CAPACITORS

CM series Chip Type, Low Impedance



NEW

- Chip type, low impedance temperature range up to +105°C.
- Applicable to automatic mounting machine fed with carrier tape.
- Compliant to the RoHS directive (2011/65/EU).

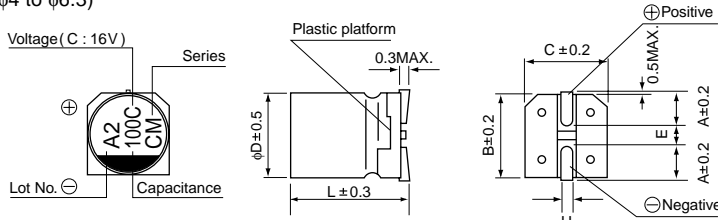


Specifications

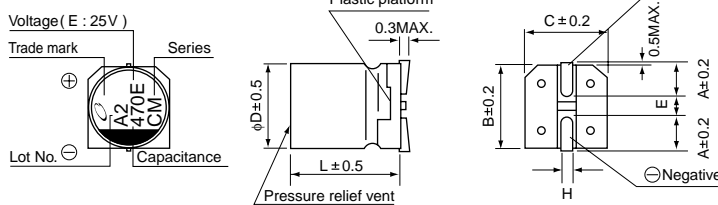
Item	Performance Characteristics																																		
Category Temperature Range	-55 to +105°C																																		
Rated Voltage Range	6.3 to 50V																																		
Rated Capacitance Range	10 to 2200μF																																		
Capacitance Tolerance	±20% at 120Hz, 20°C																																		
Leakage Current	After 2 minutes' application of rated voltage, leakage current is not more than 0.01 CV																																		
Tangent of loss angle (tan δ)	<table border="1"> <tr> <td>Rated voltage (V)</td> <td>6.3</td> <td>10</td> <td>16</td> <td>25</td> <td>35</td> <td>50</td> </tr> <tr> <td>tan δ (MAX.)</td> <td>0.26</td> <td>0.19</td> <td>0.16</td> <td>0.14</td> <td>0.12</td> <td>0.10</td> </tr> </table>	Rated voltage (V)	6.3	10	16	25	35	50	tan δ (MAX.)	0.26	0.19	0.16	0.14	0.12	0.10	Measurement frequency : 120Hz at 20°C																			
Rated voltage (V)	6.3	10	16	25	35	50																													
tan δ (MAX.)	0.26	0.19	0.16	0.14	0.12	0.10																													
Stability at Low Temperature	<table border="1"> <tr> <td rowspan="3">Impedance ratio ZT / Z20 (MAX.)</td> <td colspan="2">Rated voltage (V)</td> <td>6.3</td> <td>10</td> <td>16</td> <td>25</td> <td>35</td> <td>50</td> </tr> <tr> <td colspan="2">Z-25°C / Z+20°C</td> <td>2</td> <td>2</td> <td>2</td> <td>2</td> <td>2</td> <td>2</td> </tr> <tr> <td colspan="2">Z-40°C / Z+20°C</td> <td>3</td> <td>3</td> <td>3</td> <td>3</td> <td>3</td> <td>3</td> </tr> <tr> <td colspan="2">Z-55°C / Z+20°C</td> <td>4</td> <td>4</td> <td>4</td> <td>3</td> <td>3</td> <td>3</td> </tr> </table>	Impedance ratio ZT / Z20 (MAX.)	Rated voltage (V)		6.3	10	16	25	35	50	Z-25°C / Z+20°C		2	2	2	2	2	2	Z-40°C / Z+20°C		3	3	3	3	3	3	Z-55°C / Z+20°C		4	4	4	3	3	3	Measurement frequency : 120Hz
Impedance ratio ZT / Z20 (MAX.)	Rated voltage (V)		6.3	10	16	25	35	50																											
	Z-25°C / Z+20°C		2	2	2	2	2	2																											
	Z-40°C / Z+20°C		3	3	3	3	3	3																											
Z-55°C / Z+20°C		4	4	4	3	3	3																												
Endurance	The specifications listed at right shall be met when the capacitors are restored to 20°C after the rated voltage is applied for 2000 hours at 105°C.	<table border="1"> <tr> <td>Capacitance change</td> <td>Within ±30% of the initial capacitance value</td> </tr> <tr> <td>tan δ</td> <td>200% or less than the initial specified value</td> </tr> <tr> <td>Leakage current</td> <td>Less than or equal to the initial specified value</td> </tr> </table>	Capacitance change	Within ±30% of the initial capacitance value	tan δ	200% or less than the initial specified value	Leakage current	Less than or equal to the initial specified value																											
Capacitance change	Within ±30% of the initial capacitance value																																		
tan δ	200% or less than the initial specified value																																		
Leakage current	Less than or equal to the initial specified value																																		
Shelf Life	After storing the capacitors under no load at 105°C for 1000 hours and then performing voltage treatment based on JIS C 5101-4 clause 4.1 at 20°C, they shall meet the specified values for the endurance characteristics listed above.																																		
Resistance to soldering heat	The capacitors are kept on a hot plate for 30 seconds, which is maintained at 250°C. The capacitors shall meet the characteristic requirements listed at right when they are removed from the plate and restored to 20°C.	<table border="1"> <tr> <td>Capacitance change</td> <td>Within ±10% of the initial capacitance value</td> </tr> <tr> <td>tan δ</td> <td>Less than or equal to the initial specified value</td> </tr> <tr> <td>Leakage current</td> <td>Less than or equal to the initial specified value</td> </tr> </table>	Capacitance change	Within ±10% of the initial capacitance value	tan δ	Less than or equal to the initial specified value	Leakage current	Less than or equal to the initial specified value																											
Capacitance change	Within ±10% of the initial capacitance value																																		
tan δ	Less than or equal to the initial specified value																																		
Leakage current	Less than or equal to the initial specified value																																		
Marking	Black print on the case top.																																		

Chip Type

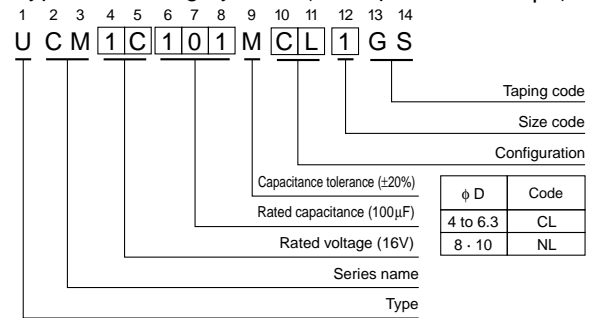
(φ4 to φ6.3)



(φ8 × 10L, φ10)



Type numbering system (Example : 16V 100μF)



φD×L (mm)	4×5.8	5×5.8	6.3×5.8	6.3×7.7	8×10	10×10
A	1.8	2.1	2.4	2.4	2.9	3.2
B	4.3	5.3	6.6	6.6	8.3	10.3
C	4.3	5.3	6.6	6.6	8.3	10.3
E	1.0	1.3	2.2	2.2	3.1	4.5
L	5.8	5.8	5.8	7.7	10	10
H	0.5 to 0.8	0.5 to 0.8	0.5 to 0.8	0.5 to 0.8	0.8 to 1.1	0.8 to 1.1

Voltage

V	6.3	10	16	25	35	50
Code	j	A	C	E	V	H

● Dimension table in next page.

■Dimensions

Cap. (μ F)	V	6.3			10			16			25			35			50			
		Code			0J			1A			1C			1E			1V			1H
10	100																4×5.8	2.30	85	
																	5×5.8	0.88	165	
22	220									4×5.8	1.00	160	4×5.8	1.00	160	5×5.8	0.88	165		
33	330									4×5.8	1.00	160	5×5.8	0.36	240					
47	470							4×5.8	1.00	160	5×5.8	0.36	240	5×5.8	0.36	240	6.3×5.8	0.68	195	
68	680				4×5.8	1.00	160	5×5.8	0.36	240	5×5.8	0.36	240	6.3×5.8	0.26	300				
100	101	4×5.8	1.00	160				5×5.8	0.36	240	6.3×5.8	0.26	300	6.3×5.8	0.26	300	6.3×7.7	0.34	350	
150	151				5×5.8	0.36	240	6.3×5.8	0.26	300	6.3×7.7	0.16	600	6.3×7.7	0.16	600				
220	221	5×5.8	0.36	240	6.3×5.8	0.26	300	6.3×5.8	0.26	300	6.3×7.7	0.16	600				8×10	0.18	670	
330	331	6.3×5.8	0.26	300	6.3×7.7	0.16	600	6.3×7.7	0.16	600				8×10	0.08	850	10×10	0.12	900	
470	471	6.3×7.7	0.16	600	6.3×7.7	0.16	600				8×10	0.08	850							
560	561													10×10	0.06	1190				
680	681	6.3×7.7	0.16	600				8×10	0.08	850										
820	821										10×10	0.06	1190							
1000	102				8×10	0.08	850	10×10	0.06	1190										
1500	152	8×10	0.08	850	10×10	0.06	1190													
2200	222	10×10	0.06	1190													Case size ϕ D×L (mm)	Impedance	Rated ripple	

MAX. Impedance () at 20 100kHz, Rated ripple current(mArms) at 105 100kHz
 In this case, [6] will be put at 12th digit of type numbering system.

●Frequency coefficient of rated ripple current

Frequency	50 Hz	120 Hz	300 Hz	1 kHz	10 kHz or more
Coefficient	0.35	0.50	0.64	0.83	1.00

- Taping specifications are given in page 23.
- Recommended land size, soldering by reflow are given in page 18, 19.
- Please refer to page 3 for the minimum order quantity.