



We Tame Photons to Work for You!



Products > LEDs > Thru-Hole > Round > 10mm > Standard



### Features / Options

- ▶ State-of-the-Art, High Brightness Chip Technology
- ▶ Choice of Colors and Lens Finishes
- ▶ Lead Frame / Lens Casting Reliability
- ▶ Easy-to-Solder Leads, Tin Finish
- ▶ Available Bulk or on Tape and Reel
- ▶ Lead Trimming and Forming Available
- ▶ Custom Shapes, Easily Tooled, Low Minimum

### Applications / Uses

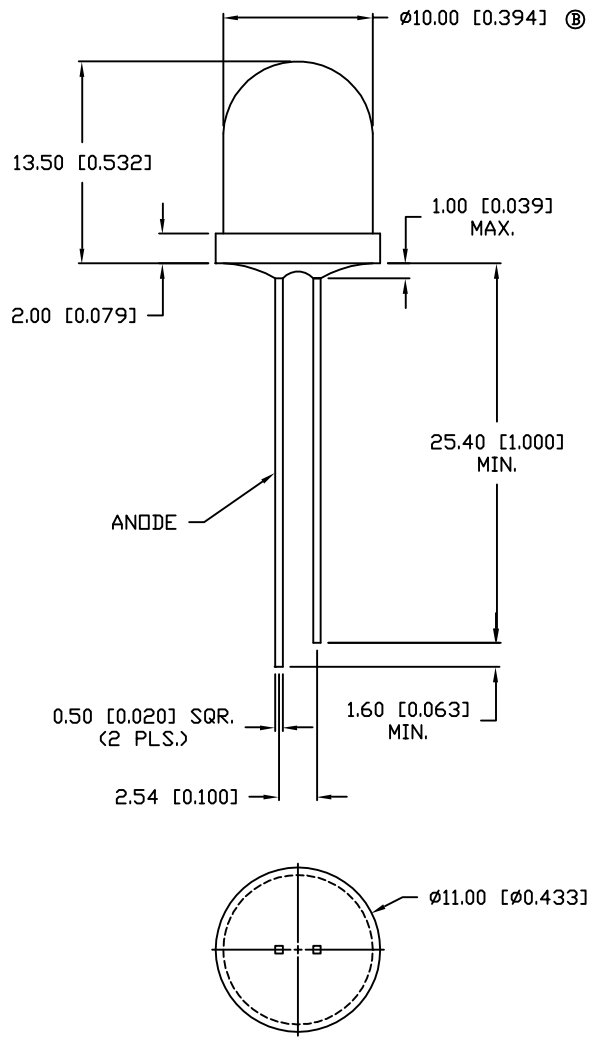
- ▶ Board or Panel Indication or Illumination
- ▶ Annunciator and Control Panels
- ▶ Telecom Switches and Central Station Equipment
- ▶ Large Panel Indicators

Part Number:	Brightness	Dice Material	Emitted Color	Peak Wavelength	Epoxy Lens	Operating Typ Vf (V)	Intensity Typ, mcd @ 20 mA	View Angle 2x Theta	
SSL-LX100133BID	STANDARD	GaAsP	Blinking Red	635	Diffused	3	12	80	—
SSL-LX100133GD	STANDARD	GaP	Green	565	Diffused	2.2	30	60	—
SSL-LX100133HGW	STANDARD	GaP	Red/Green	700	White Diffused	2	4	60	—
SSL-LX100133IC	STANDARD	GaAsP	Red	635	Clear	2.0	40	30	—
SSL-LX100133ID	STANDARD	GaAsP	Red	635	Diffused	2.0	40	60	—
SSL-LX100133SBC/A	STANDARD	SiC	Blue	430	Clear	3.5	150	30	—
SSL-LX100133SGC	STANDARD	GaP	Green	565	Clear	2.1	120	30	—
SSL-LX100133SGD	STANDARD	GaP	Green	565	Diffused	2.2	45	60	—
SSL-LX100133SIC	HIGH	AllnGaP	Red	636	Clear	2.0	3200	30	—
SSL-LX100133SID	HIGH	AllnGaP	Red	636	Diffused	2.0	550	60	—

SSL-LX100133SOC		HIGH	AlInGaP	Orange	610	Clear	1.8	3200	30		—
SSL-LX100133SOD		HIGH	AlInGaP	Orange	620	Diffused	2.0	550	20		—
SSL-LX100133SRC/B		STANDARD	GaAlAs	Red	660	Clear	1.7	1000	30		—
SSL-LX100133SRC/C		STANDARD	GaAlAs	Red	660	Clear	1.7	1600	30		—
SSL-LX100133SRC/D		STANDARD	GaAlAs	Red	660	Clear	1.7	2000	30		—
SSL-LX100133SRC/E		STANDARD	GaAlAs	Red	660	Clear	1.7	2500	30		—
SSL-LX100133SRD		STANDARD	GaAlAs	Red	660	Diffused	1.7	30	60		—
SSL-LX100133SRD/B		STANDARD	GaAlAs	Red	660	Diffused	1.7	160	60		—
SSL-LX100133SRD/C		STANDARD	GaAlAs	Red	660	Diffused	1.7	275	60		—
SSL-LX100133SRD/D		STANDARD	GaAlAs	Red	660	Diffused	1.7	400	60		—
SSL-LX100133SRD/E		STANDARD	GaAlAs	Red	660	Diffused	1.7	500	60		—
SSL-LX100133SRD/F		STANDARD	GaAlAs	Red	660	Diffused	1.7	600	60		—
SSL-LX100133SRD/G		STANDARD	GaAlAs	Red	660	Diffused	1.7	725	60		—
SSL-LX100133SUGC		HIGH	AlInGaP	Green	574	Clear	2.2	1000	40		—
SSL-LX100133SUGD		HIGH	AlInGaP	Green	574	Diffused	2.2	200	60		—
SSL-LX100133SYC		HIGH	AlInGaP	Yellow	590	Clear	2.0	850	30		—
SSL-LX100133SYD		HIGH	AlInGaP	Yellow	590	Diffused	2.0	350	80		—
SSL-LX100133USBC		HIGH	InGaN	Blue	470	Clear	3.5	800	15		—
SSL-LX100133USBD		HIGH	InGaN	Blue	470	Diffused	3.5	300	60		—
SSL-LX100133YC		STANDARD	GaAsP	Yellow	585	Clear	2.1	130	30		—
SSL-LX100133YD		STANDARD	GaAsP	Yellow	585	Diffused	2.1	30	60		—

DATE	REVISIONS	REV
7-3-96	E.C.N. #10204./	A
3-10-98	E.C.N. #10BRDR. & #10421. & REDRAWN./	B

DRAWING NUMBER SSL-LX100133SYD	REV B
-----------------------------------	----------



ELECTRO-OPTICAL CHARACTERISTICS  $T_A = 25^\circ\text{C}$   $I_f = 20\text{mA}$

PARAMETER	MIN	TYP	MAX	UNITS	TEST COND
PEAK WAVELENGTH		595 (YELLOW)		nm	
FORWARD VOLTAGE		2.0	2.5	$V_f$	
REVERSE VOLTAGE	5.0			$V_r$	$I_r = 100\mu\text{A}$
AXIAL INTENSITY		350		mcd	$I_f = 20\text{mA}$
VIEWING ANGLE		60		2x theta	
EMITTED COLOR:	YELLOW				
EPOXY LENS FINISH:	YELLOW DIFFUSED				

LIMITS OF SAFE OPERATION AT 25°C

PARAMETER	MAX	UNITS
PEAK FORWARD CURRENT*	150	mA
STEADY CURRENT	30	mA
POWER DISSIPATION	125	mW
DERATE FROM 25°C	-1.2	mW/°C
OPERATING, STORAGE TEMP.	-40 TO +85	°C
SOLDERING TEMP.	+260	°C
2.0mm FROM BODY		3 SEC. MAX

\*  $t < 10\mu\text{s}$

RELIABILITY NOTE

OUR MANY YEARS OF EXPERIENCE DATA ACCUMULATION INDICATE THAT SOLDER HEAT IS A MAJOR CAUSE OF EARLY AND FUTURE FAILURE. PLEASE PAY ATTENTION TO YOUR SOLDERING PROCESS.



CONFIDENTIAL INFORMATION  
THE INFORMATION CONTAINED IN THIS DOCUMENT IS THE PROPERTY OF LUMEX INCORPORATED. EXCEPT AS SPECIFICALLY AUTHORIZED IN WRITING BY LUMEX INCORPORATED, THE HOLDER OF THIS DOCUMENT SHALL KEEP ALL INFORMATION CONTAINED HEREIN CONFIDENTIAL AND SHALL PROTECT SAME IN WHOLE OR IN PART FROM DISCLOSURE AND DISSEMINATION TO ALL THIRD PARTIES.

DATE: 4-26-95	DWN:	CHK'D:	APPD:
SCALE: N/A			

T-3 1/8mm (T-10) LED, SUPER YELLOW, YELLOW DIFFUSED LENS.

PAGE 1 OF 1	DRAWING NUMBER SSL-LX100133SYD	REV B
-------------	-----------------------------------	----------

UNLESS OTHERWISE SPECIFIED TOLERANCE IS  $\pm 0.25\text{mm}$  ( $\pm 0.010''$ )

DU