



22MM PLASTIC ROUND COMPLETE UNIT
COMBINATION: INDICATOR LIGHT WITH CONCENTRIC
RINGS NON-ILLUMINATED WITH LAMP HOLDER BA 9S
WITHOUT LAMP SCREW TERMINAL WITH HOLDER RED

Actuator / signaling device:

Design of the operating mechanism	indicator light
Color / of the activation element	Red
Material / of the activation element	plastic
Shape / of the activation element	Concentric rings
Number of switching positions	0
Product component / front ring	No
Product function / EMERGENCY STOP function	No

Contact block / lampholder

Design of the electrical connection	screw-type terminals
Number of switching elements	0
Number of NC contacts / for auxiliary contacts	0
Number of NO contacts / for auxiliary contacts	0
Number of change-over switches / for auxiliary contacts	0
Product function / positive opening	No
Number of lampholders	1
Execution of the mounting	BA 9s, without lamp
Product component / fluorescent materials	No
Product extension / optional / fluorescent materials	Yes

Accessories:**Product component / holder for 3 switching elements**

No

General technical details:**Type of voltage / of the operating voltage**

AC/DC

Operating voltage / rated value

- minimum
- maximum

V
V5
400**Resistance against shock**

- for devices with incandescent lamp / according to IEC 60068-2-27
- for devices without incandescent lamp / according to IEC 60068-2-27

<= 30g
<= 50g**Resistance against vibration / according to IEC 60068-2-6**

20 ... 200 Hz: 5g

Item designation

- according to DIN EN 61346-2
- according to DIN 40719 extendable after IEC 204-2 / according to IEC 750

P
H**Tightening torque / of the screws in the bracket / maximum**

N·m

1

Ambient temperature

- during operating
- during storage

°C
°C-25 ... +60
-40 ... +80**Protection class IP**

IP66

climatic class / during the operating phase / according to EN 60721

3K6

Type of mounting

front mounting

Shape / of the installation hole

round

Installation width

mm

28

Mounting diameter

mm

22

Mounting height

mm

11

Mounting depth

mm

49

Certificates/approvals:

General Product Approval	Declaration of Conformity	Test Certificates
--------------------------	---------------------------	-------------------



CCC



CSA



GOST



UL



EG-Konf.

[Special Test Certificate](#)

Shipping Approval



ABS



BUREAU
VERITAS



DNV



LRS



PRS



RINA

other

[Confirmation](#)

[other](#)



UL

Further information:

Information- and Downloadcenter (Catalogs, Brochures,...)

<http://www.siemens.com/industrial-controls/catalogs>

Industry Mall (Online ordering system)

<http://www.siemens.com/industrial-controls/mall>

Cax online generator:

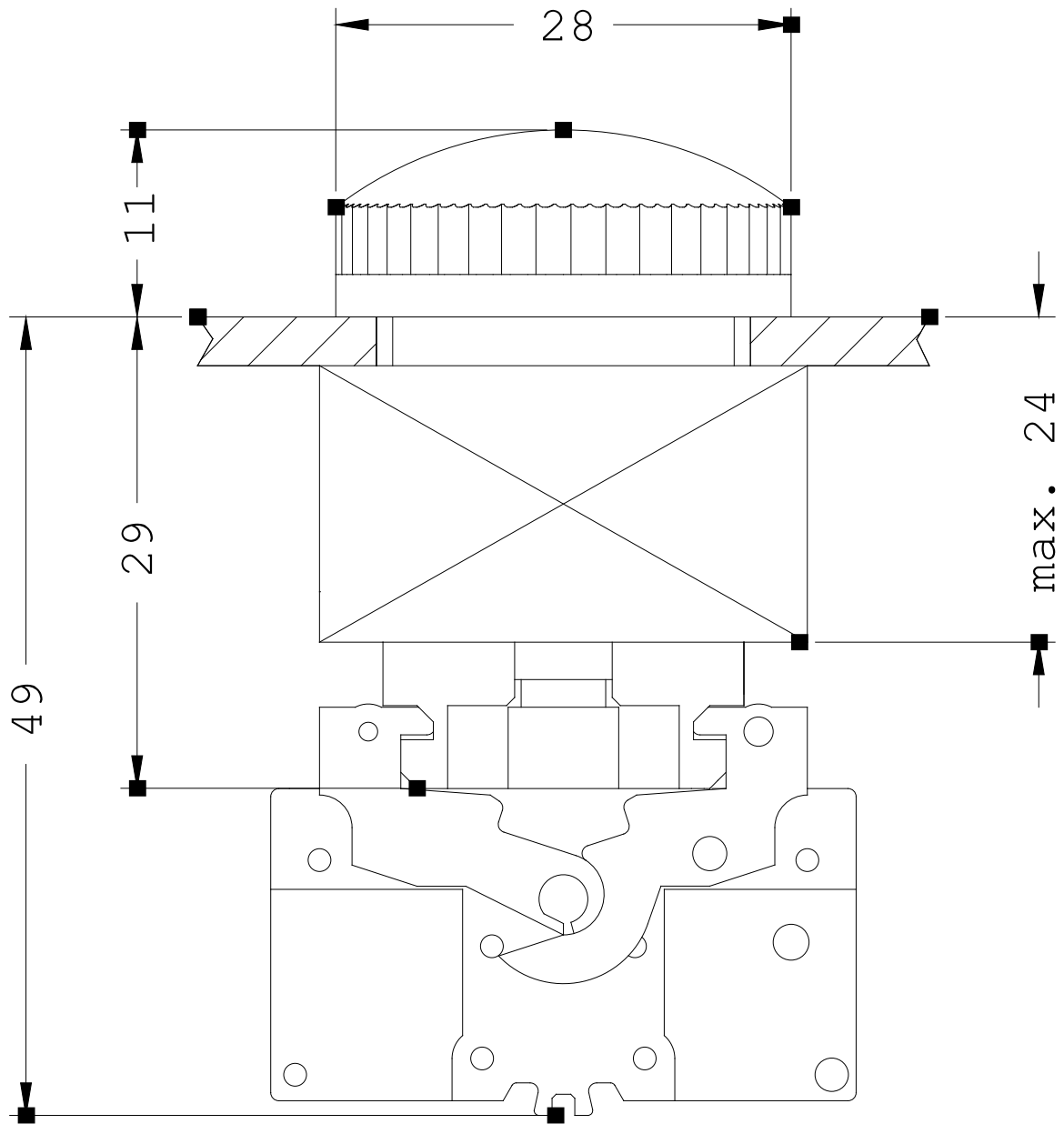
<http://www.siemens.com/cax>

Service&Support (Manuals, Certificates, Characteristics, FAQs,...)

<http://support.automation.siemens.com/WW/view/en/3SB3204-6BA20/all>

Image database (product images, 2D dimension drawings, 3D models, device circuit diagrams, ...)

http://www.automation.siemens.com/bilddb/cax_en.aspx?mlfb=3SB3204-6BA20



last change:

Jul 17, 2012