



GL10-RT/32/40a/98a

Fork type light beam switch

GL10-RT/32/40a/98a

with 3-pin, M8 connector



- ◆ High switching frequency
- ◆ Optimised for the detection of small parts
- ◆ Visible red light
- ◆ Sensitivity adjuster and light/dark switch as standard features of this series
- ◆ Sturdy aluminium housing
- ◆ Protection degree IP67
- ◆ cULus approval

Release date: 2005-05-23 16:08 Date of issue: 2005-07-04 130170_ENG.xml

General specifications

Light source	LED
Approvals	CE, cULus
Tests	EN 60947-5-2
Marking	
Obstacle size	0.5 mm
Fork width	10 mm
Light type	red, modulated light
Ambient light limit	100000 Lux

Indicators/operating means

Function display	LED red in the connector plug, illuminates with free light beam , LED flashes when falling short of the stability control
Operating elements	Sensitivity adjuster, light/dark switch

Electrical specifications

Operating voltage	10 ... 30 V DC, class 2
Ripple	10 %
No-load supply current I_0	15 mA

Output

Switching type	light/dark switching
Signal output	1 pnp, short-circuit proof, open collector
Switching voltage	max. 30 V DC
Switching current	max. 200 mA
Switching frequency f	2500 Hz
Response time	0.2 ms

Ambient conditions

Ambient temperature	-20 ... 60 °C (253 ... 333 K)
Storage temperature	-20 ... 75 °C (253 ... 348 K)

Mechanical specifications

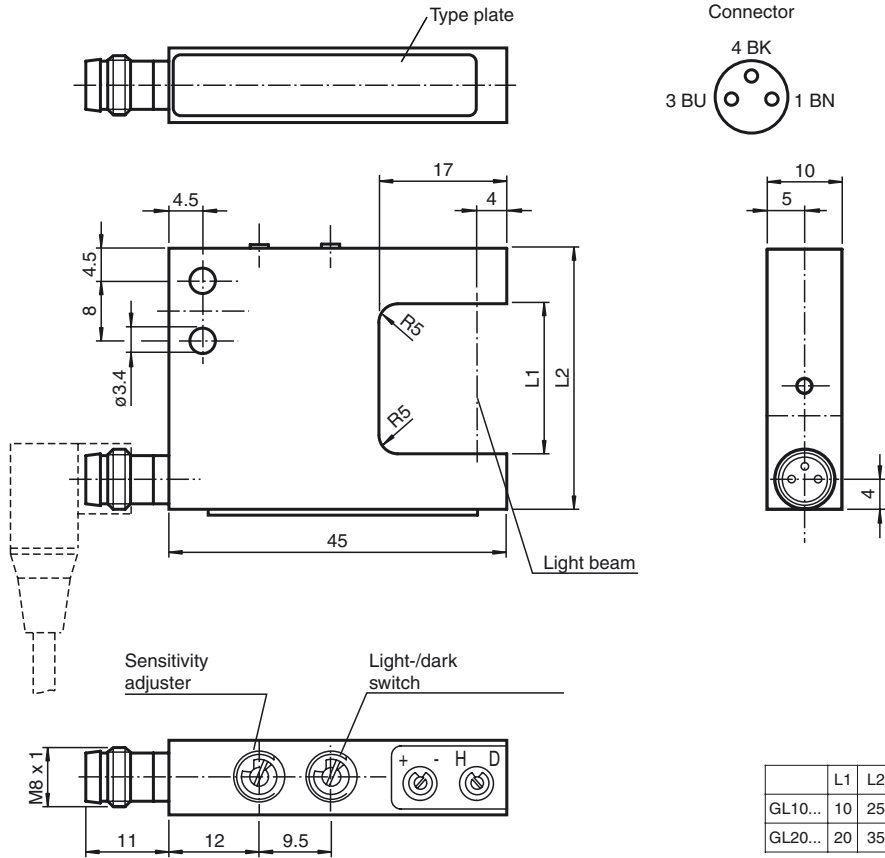
Protection degree	IP67
Connection	M8 connector, 3-pin
Material	
Housing	aluminium
Optical face	glass
Mass	30 g

Release date: 2005-05-23 16:08 Date of issue: 2005-07-04 130170_ENG.xml

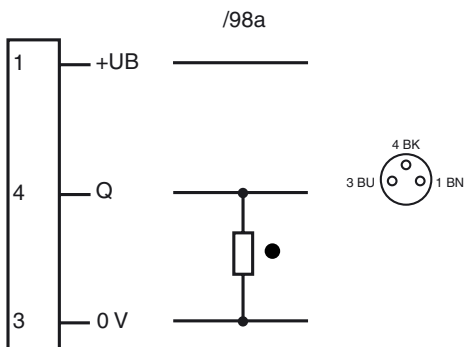


GL10-RT/32/40a/98a

Dimensions



Electrical connection



○ = light on, ● = dark on

Release date: 2005-05-23 16:08 Date of issue: 2005-07-04 130170_ENG.xml