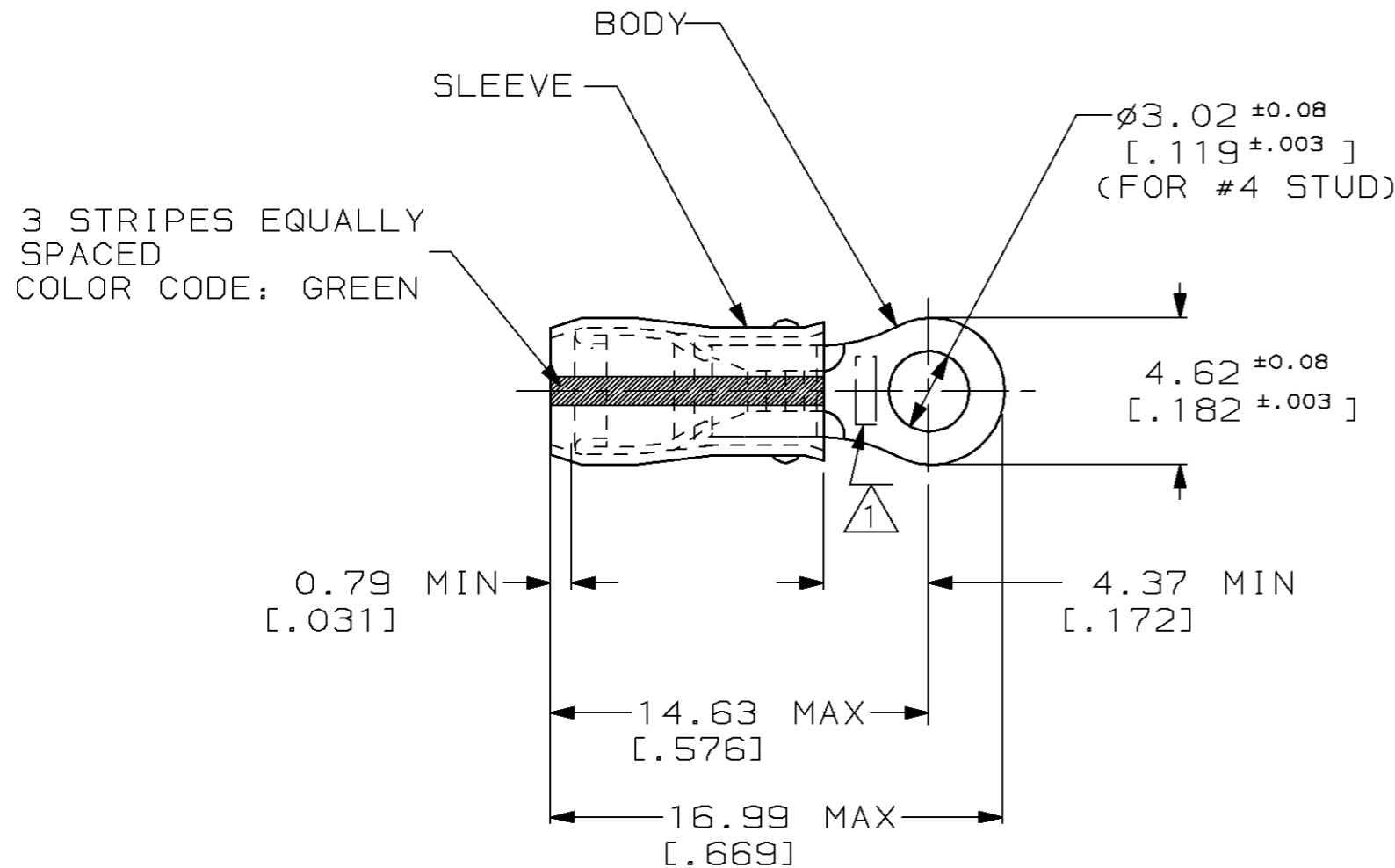


THIS DRAWING IS UNPUBLISHED. RELEASED FOR PUBLICATION, 19 .
 © COPYRIGHT 19 BY AMP INCORPORATED. ALL INTERNATIONAL RIGHTS RESERVED.

LOC	DIST	P	F	REVISIONS				
G	14			ZONE	LTR	DESCRIPTION	DATE	APPD
					S	REV / 0L20-0195-97	22AUG97	ME TM



1 STAMP AMP APPROX AS SHOWN

- 2 WIRE INSULATION DIA, 2.03 - 3.18
[.080 - .125]
- 3 TONGUE MATERIAL THK, 0.79±0.05
[.031±.002]

AMP INCORPORATED CUSTOMER SERVICE SYSTEMS		MAX RECOMMENDED OPERATING TEMPERATURE: 105°C MAX		MILITARY P/N AND CLASS		100	LOOSE PIECE, BOX	8-327654-1	
FOR ADDITIONAL PRODUCT INFORMATION OR COPIES OF DRAWINGS AND TECHNICAL DOCUMENTS		PRODUCT INFORMATION CENTER 1-800-522-6752		TOLERANCES ON: 2 PLC DEC ± 0.20 [.008] 3 PLC DEC ± - ANGLES ± -		1000	LOOSE PIECE	327654	
FOR APPLICATION TOOLING INFORMATION		TOOLING ASSISTANCE CENTER 1-800-722-1111		MATERIAL COPPER PER ASTM B-152 SLEEVE, RED NYLON			PACKAGE TYPE	PART NO	
FOR ORDER ENTRY		1-800-526-5142		FINISH TIN PLATE PER MIL-T-10727			AMP Incorporated Harrisburg, PA 17105-3608		
		THIS DRAWING IS A CONTROLLED DOCUMENT FOR AMP INCORPORATED. IT IS SUBJECT TO CHANGE AND THE CONTROLLING ENGINEERING ORGANIZATION SHOULD BE CONTACTED FOR THE LATEST REVISION.		DR 9/30/93 OK SCHRUM CHK 9/30/93 RE HERSEY APPD 9/30/93 ML ELLIS APPD 9/30/93 M BARNABA PRODUCT SPEC UL 486A APPLICATION SPEC NOT AVAILABLE WEIGHT -			NAME TERMINAL, RING TONGUE, PIDG™, WIRE SIZE, 22-16 AWG		
							SIZE B	CAGE CODE 00779	DRAWING NO C-327654
							SCALE NTS	SHEET 1 OF 1	