

Features

- Panel neon indicators
- 200-250VAC
- 22x30mm cutout
- Green, Red, Amber/Orange
- Double version – Red & Clear

RS PRO Indicators

RS Stock No.: 1917792, 1917793, 1917794,
1917790



RS PRO is the own brand of RS. The RS PRO Seal of Approval is your assurance of professional quality, a guarantee that every part is rigorously tested, inspected, and audited against demanding standards. Making RS PRO the Smart Choice for our customers.

Product Description

High quality panel mount neon indicators, manufactured in Europe.

- *Panel indicator lights are widely used to provide visual feedback to users and operators.*
- *Applications include industrial machinery and control panels, household appliances and electronic equipment*
- *These neon indicators are designed for use alongside rocker switch products, RS codes 9143581, 9143579, 7932513, 7932519, 9143575, 9143572*

General Specifications

RS Codes	1917792	1917793	1917794	1917790
Light Output Colour	Green	Red	Amber/Orange	Red & Clear
Lamp Type	Neon			
Termination Type	6.3 x 0.8mm			
Type	Panel Mount			
Bezel Colour	Black			
Type Of Illumination	Fixed Light			
Function				

Electrical Specifications

Voltage Rating	200-250VAC
Weight	9g

Mechanical Specifications

Mounting Hole Size	22x30mm
Shape	Rectangle
Housing	PA66
Lens	PC
Terminals	Copper alloy

Operation Environment Specifications

Temperature Rating	T120°C – Standard CEI IEC EN 60335-1 (applicable chapters)
	T65°C – Standard UL 496 CSA C22.2 N°55
GWT (Glow wire test)	850°C

Protection Category

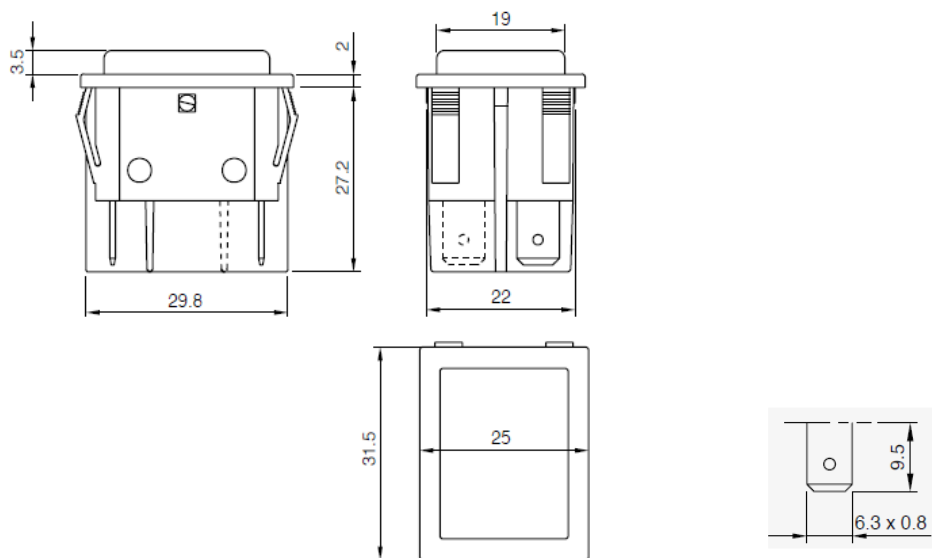
IP Rating	IP40
-----------	------

Classification

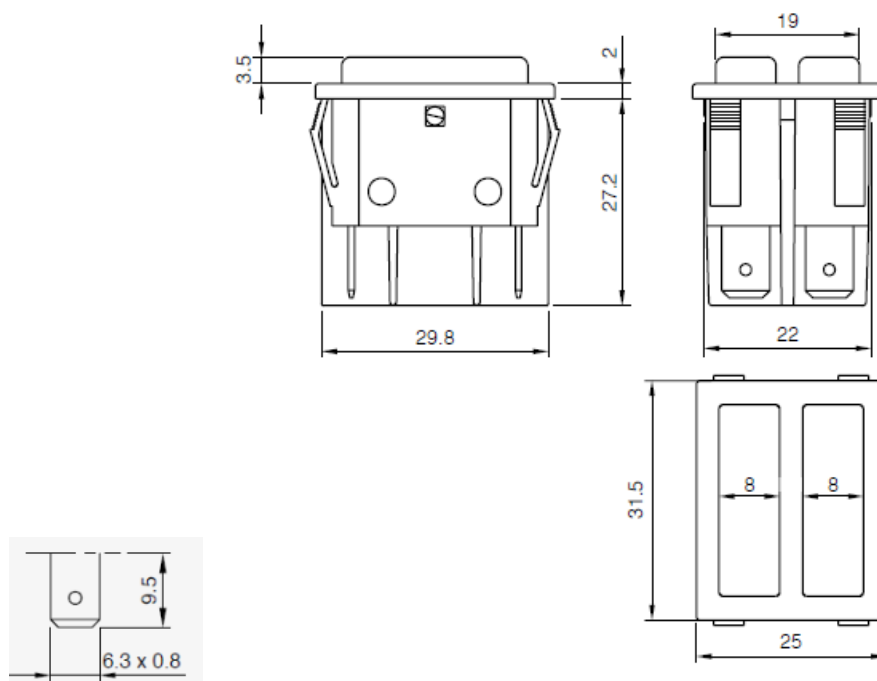
Compliance/Certifications	UL, CE, UKCA
---------------------------	--------------

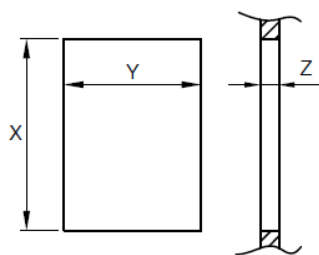
CONSTRUCTIONAL DIAGRAM

Single Neon Indicator



Double Neon Indicator





Z	Y	X
0,75 ... 1,25	22,0 ^{+0,2} ₀	30,0 ⁰ _{-0,1}
1,25 ... 2,0	22,0 ^{+0,2} ₀	30,2 ⁰ _{-0,1}
2,0 ... 3,0	22,0 ^{+0,2} ₀	30,6 ⁰ _{-0,2}
3,0 ... 4,0	22,0 ^{+0,2} ₀	30,8 ⁰ _{-0,2}