



ENGLISH

Datasheet

RS Pro Stainless Steel Toggle Latch, Lockable, Lock not included, 357kgf Op.Tension

RS Stock No: **436-9993**



Product Details

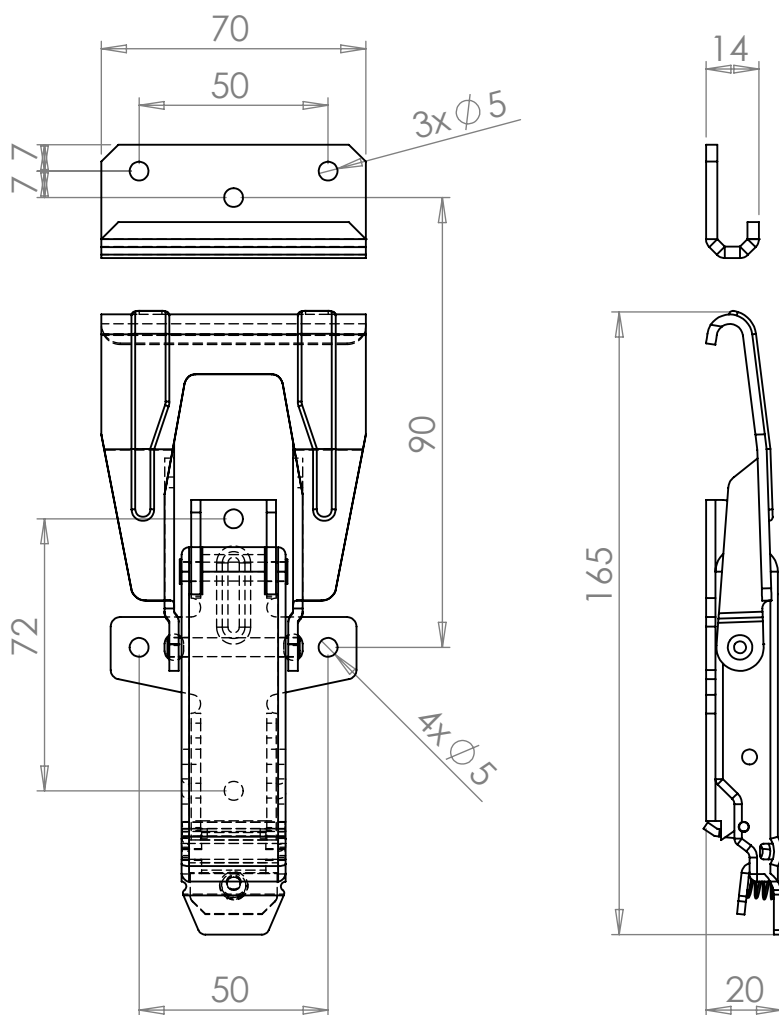
RS Pro toggle latch is made of durable stainless steel and it lies flat when unlocked for minimum protrusion. The lockable latch with out lock, has an operating tension of 357 kgf. This shock resistant latch withstands heavy vibration. It features locking mechanism to prevent accidental opening.

Features and Benefits

- High strength latch plus catch
- Shock resistant
- Withstands heavy vibration
- Locking mechanism to prevent accidental opening
- Lies flat when unlocked for minimum protrusion
- 357 kgf operating tension

Specifications:

Depth	19 mm
Lockable	Yes, Lock Not Included
Material	Stainless Steel
Operating Tension	357 kgf
Width	70 mm



436-9971 : Zinc plated steel
 436-9993 : Stainless steel