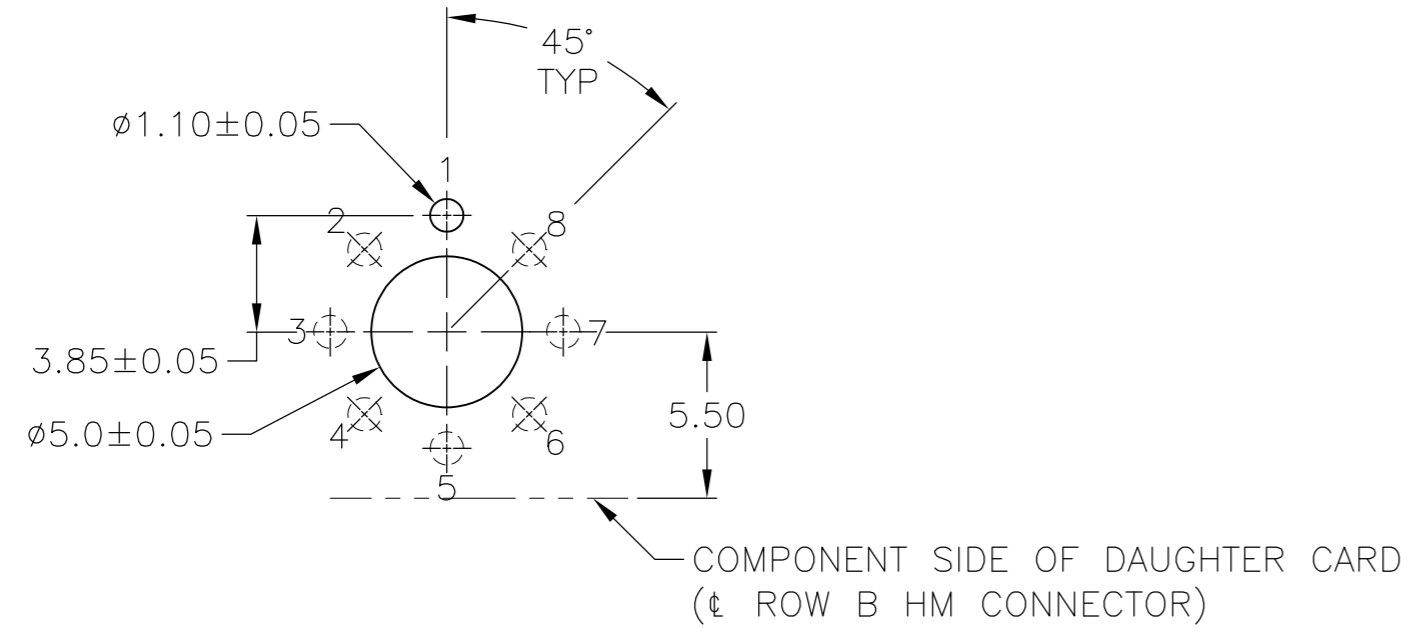
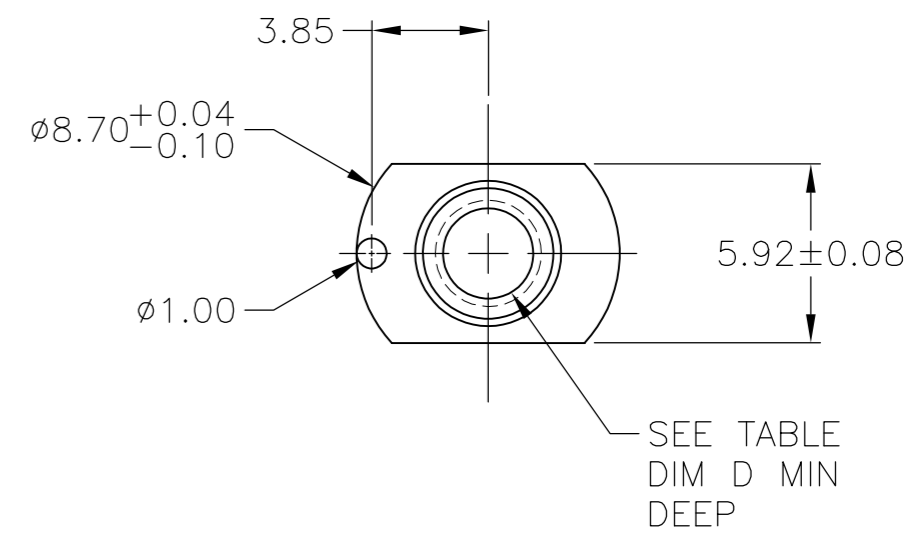
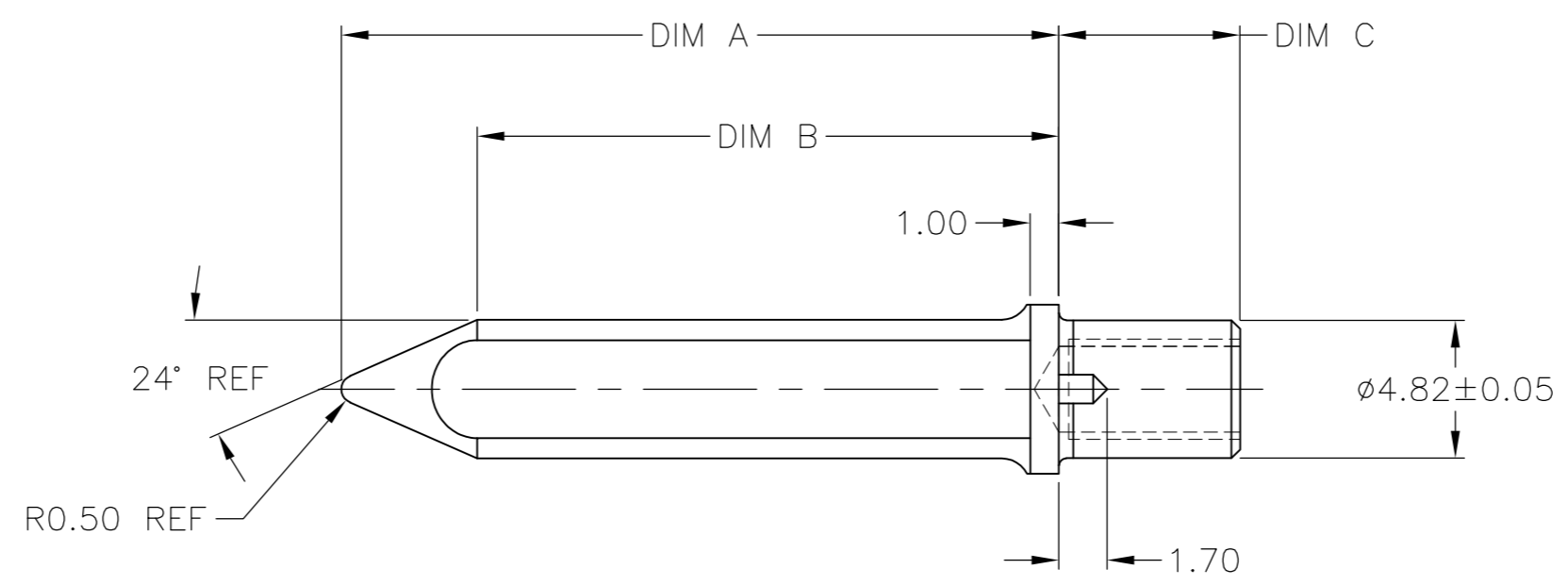
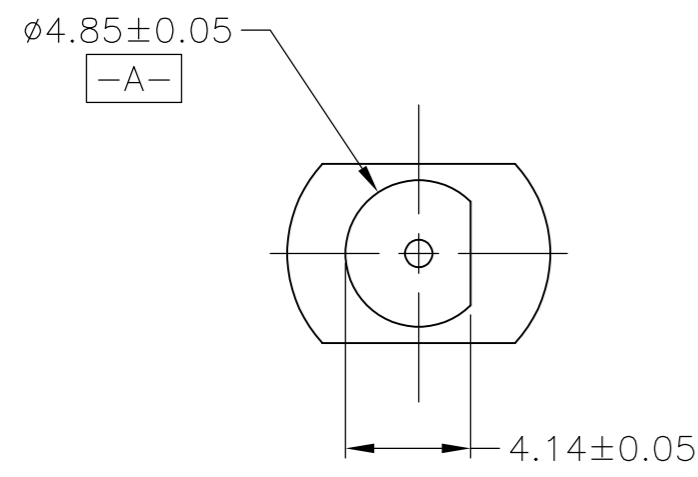


THIS DRAWING IS UNPUBLISHED. RELEASED FOR PUBLICATION
 © COPYRIGHT - By - ALL RIGHTS RESERVED.

LOC		DIST		REVISIONS			
P	LTR	DESCRIPTION		DATE	DWN	APVD	
G1		REVISED PER ECO-11-004835		11MAR11	RK	HMR	

- 1 MATERIAL: ZINC ALLOY DIE CASTING.
- 2 FINISH: CHROMATE CONVERSION COATING. (ROHS COMPATIBLE).
- 3 FINISH: NICKEL PLATING
- 4 TOLERANCE ON DIMENSION "C" IS ±0.05MM



6-32UNC-2B	2.9	2.4	20.39	25.16	2	4	1	5223985-9
6-32UNC-2B	4.65	5.0	20.39	25.16	2	2	1	5223985-8
4-40UNC-2B	2.6	1.7	20.39	25.16	2		1	5223985-7
6-32UNC-2B	4.65	5.0	20.39	25.16	2	3	1	5223985-6
6-32UNC-2B	2.2	1.7	20.39	25.16	2		1	5223985-5
6-32UNC-2B	3.45	3.8	20.39	25.16	2	2	1	5223985-4
6-32UNC-2B	3.0	6.35	24.23	29.00	2		1	5223985-3
6-32UNC-2B	6.0	6.35	20.39	25.13	2	2	1	5223985-1
THREAD TYPE	DIM D	DIM C	DIM B	DIM A	FINISH		MATERIAL	

RECOMMENDED P.C. BOARD LAYOUT
 (POSITION SHOWN USED WITH P/N 223986-1)

THIS DRAWING IS A CONTROLLED DOCUMENT.

DIMENSIONS: mm	TOLERANCES UNLESS OTHERWISE SPECIFIED:	DWN J. POLIGNONE 05APR05	TE Connectivity
0 PLC ± -	1 PLC ± -	CHK R.PATTERSON 05APR05	
2 PLC ± 0.13	3 PLC ± -	APVD R.PATTERSON 05APR05	GUIDE PIN, UNIVERSAL POWER MODULE
4 PLC ± -	ANGLES ± 0°30'	PRODUCT SPEC	
MATERIAL SEE TABLE	FINISH SEE TABLE	APPLICATION SPEC	SIZE A2
		WEIGHT -	CAGE CODE 00779
		CUSTOMER DRAWING	DRAWING NO C=5223985
			RESTRICTED TO -
			SCALE 1:1 SHEET 1 OF 1 REV G1