

Datasheet

# RS Pro Stainless Steel Rigid Conduit



## Specifications:

Part No: 471-1619

Material: 316L - V4A - 1.4404 Stainless Steel

Finish: Satin (Brushed)

Conduit  $\varnothing$  (mm): 25

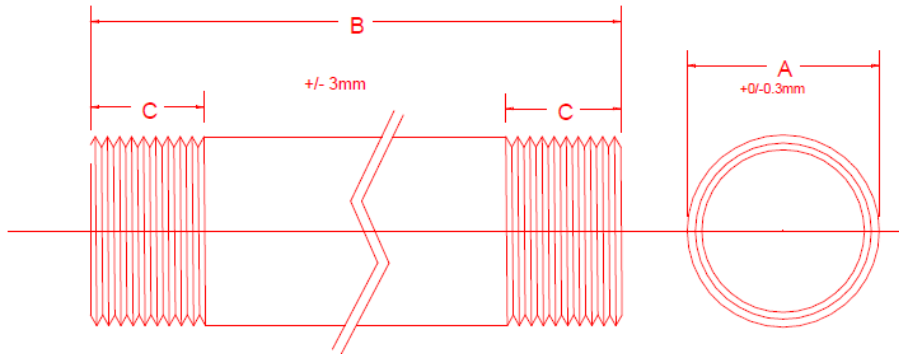
Material Thickness (mm): 1.5

Material Gauge: 16/17

Length (m): 3

Thread Type: Metric / Male

Thread Details: ISO form 1.5 mm pitch



DRAWING	NOMINAL	A	B	C		WALL
NUMBER	SIZE	MIN	NOM	MIN	MAX	THICKNESS
UK A-D	20	20	3000	13.0	15.0	1.5 $\pm$ 0.1
UK B-D	25	25	3000	16.0	18.0	1.5 $\pm$ 0.1

ISO CONDUIT THREAD TO BS4568:1:1970.