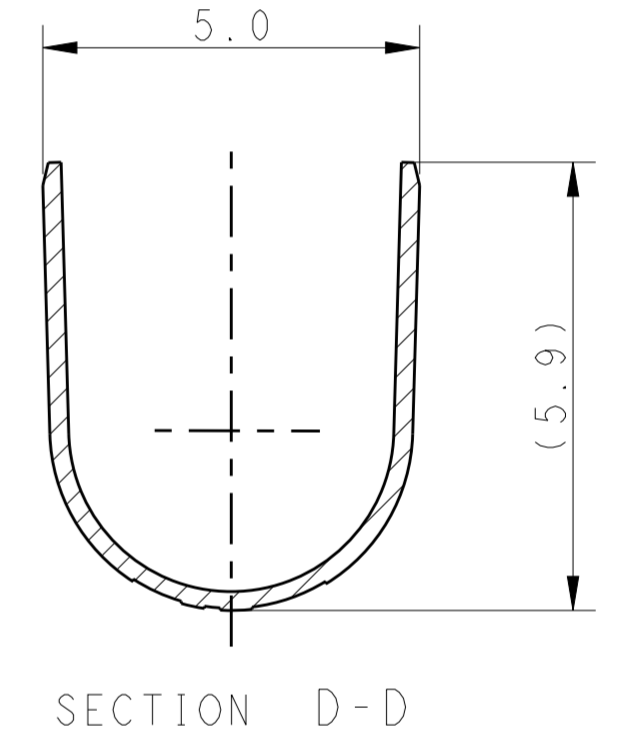
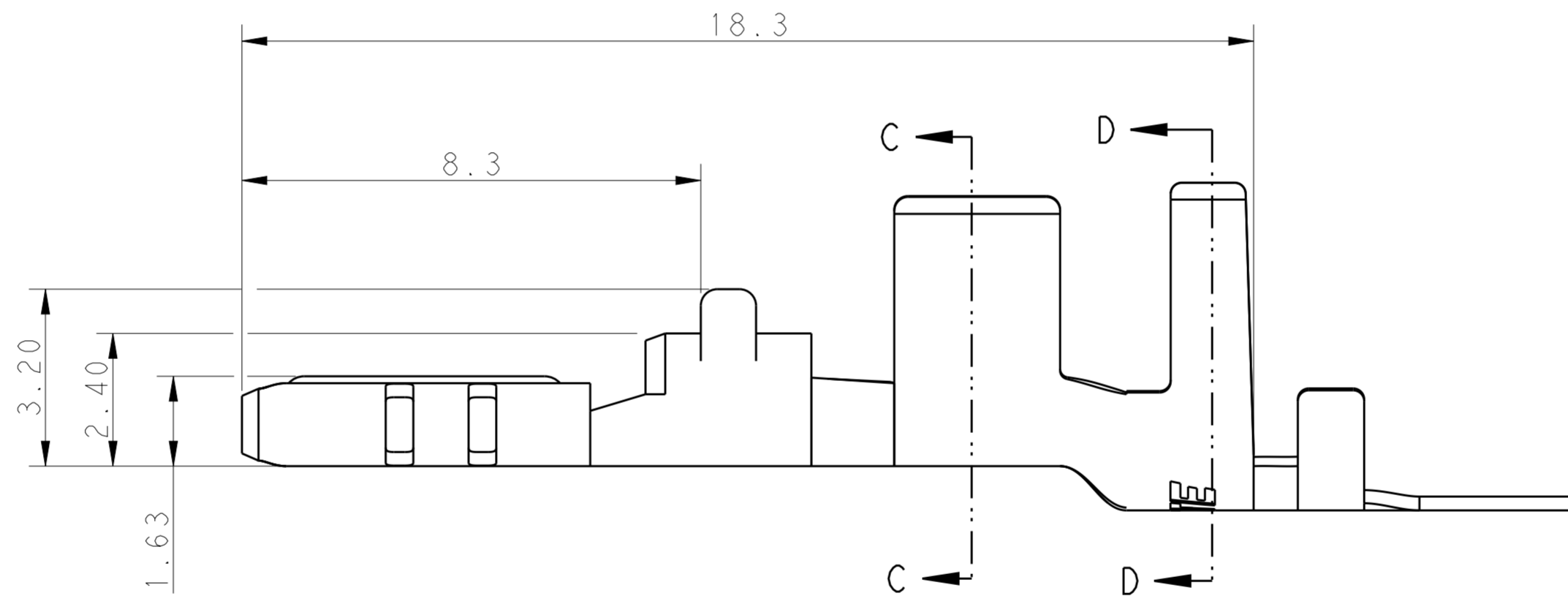
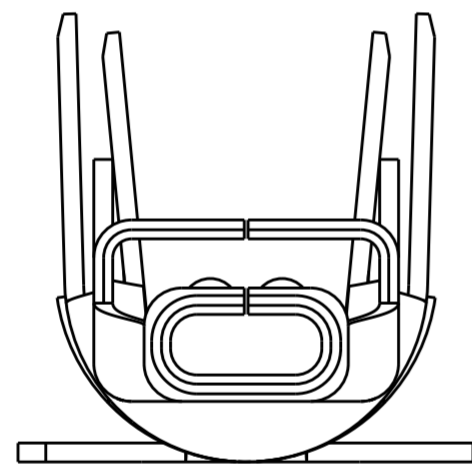
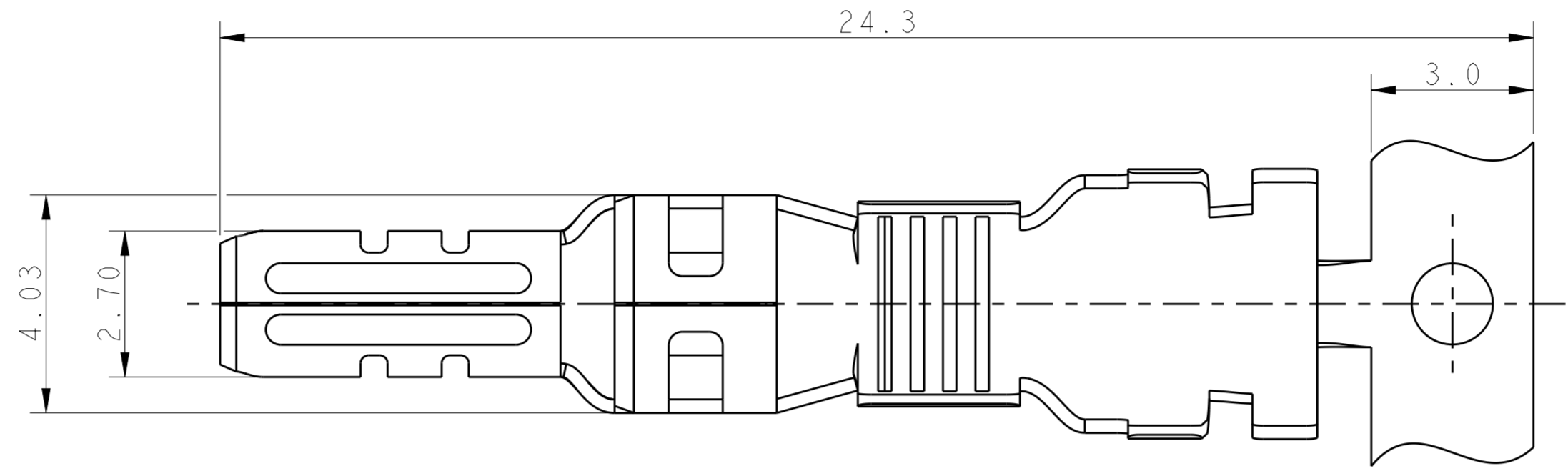
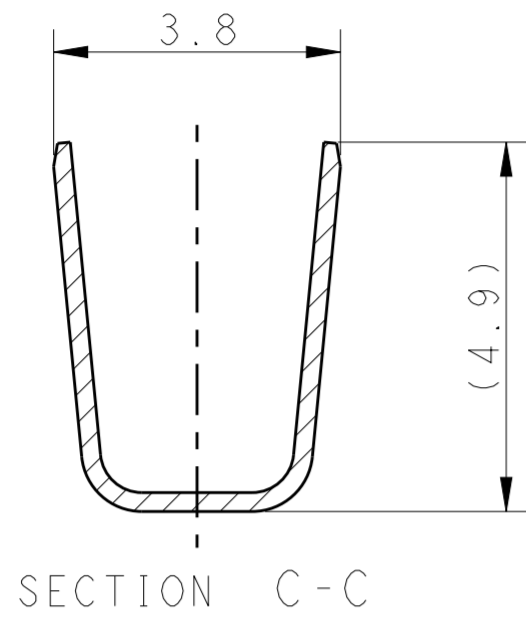
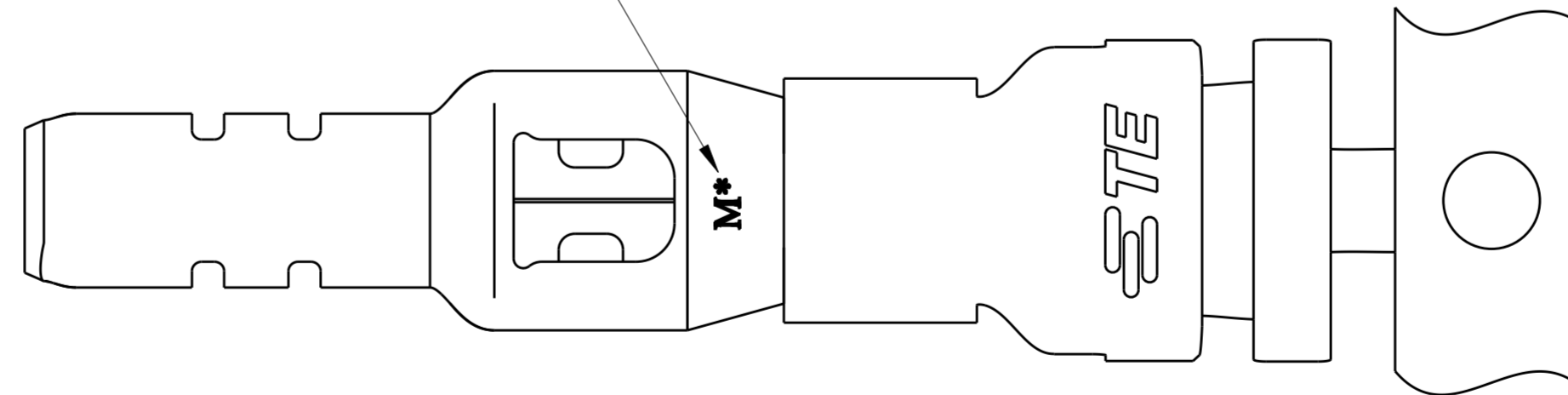


THIS DRAWING IS UNPUBLISHED. RELEASED FOR PUBLICATION 20
 © COPYRIGHT 20 BY - ALL RIGHTS RESERVED.

| LOC | DIST | REVISIONS | | | |
|-----|------|-------------|-----------------|-----------|----------|
| P | LTR | DESCRIPTION | DATE | DWN | APVD |
| ES | 00 | A | RELEASE DRAWING | 04FEB2013 | T.W YH.M |



MATERIAL MARK



NOTE:

1. MATERIAL: COPPER ALLOY, PRE TIN PLATING
2. PRODUCT SPEC: 108-106118
3. APPLICATION SPEC: 114-106118
4. APPLICABLE MATED CAP HOUSING P/N:
 -1971771-/*-1971774-*/*-1971874-*/
 -1971772-/*-1971775-*/*-1971875-*
5. APPLICABLE WIRE: 12AWG
6. APPLICABLE INSULATION DIAMETER: 3.85~4.25mm

1. This product has not completed validation testing.

| | | |
|-----------------|---------------|-----------|
| HIGH(150°C) | M0 | 1971780-2 |
| STANDARD(105°C) | M4 | 1971780-1 |
| TEMP. RATING | MATERIAL MARK | PART NO |

| DIMENSIONS: | | TOLERANCES UNLESS OTHERWISE SPECIFIED: | | APVD | | DWN | |
|-------------|--|--|-------|-------------|-------------|----------|-------------|
| mm | | 0 PLC | ± | YUJHONG MAO | 11 JUL 2011 | TOMMY WU | 11 JUL 2011 |
| | | 1 PLC | ±0.5 | | | HAPYE WU | 11 JUL 2011 |
| | | 2 PLC | ±0.30 | | | | |
| | | 3 PLC | ± | | | | |
| | | 4 PLC | ± | | | | |
| | | ANGLES | ± | | | | |
| | | FINISH | ± | | | | |
| MATERIAL | | | | | | | |

| SIZE | CAGE CODE | DRAWING NO | RESTRICTED TO |
|------|-----------|------------|---------------|
| A2 | 00779 | C-1971780 | - |

| THIS DRAWING IS A CONTROLLED DOCUMENT. | | STE TE Connectivity | |
|--|--|---------------------|--------------|
| Customer Drawing | | SCALE | SHEET 1 OF 1 |