

Adapter plate - HC-B24/10-ADP-SS - 1034213


Please be informed that the data shown in this PDF Document is generated from our Online Catalog. Please find the complete data in the user's documentation. Our General Terms of Use for Downloads are valid (<http://phoenixcontact.com/download>)



Adapter plate, type: B24 to B10



Key Commercial Data

Packing unit	1 pc
GTIN	 4 055626 539690
GTIN	4055626539690
Weight per Piece (excluding packing)	120.000 g
Custom tariff number	85389099
Country of origin	Germany

Technical data

Dimensions

Length	151 mm
Height	5 mm
Hole diameter	5.5 mm
Width	53 mm
Drill hole distance, horizontal	130 mm
Drill hole distance, vertical	32 mm

General

Note	For wall cutouts of type B24
Material	Stainless steel 1.4301/AISI 304
Type	B24
Assembly instructions	Torque of the mounting screws 1 ... 2 Nm

Environmental Product Compliance

China RoHS	Environmentally Friendly Use Period = 50 years
------------	--

Adapter plate - HC-B24/10-ADP-SS - 1034213

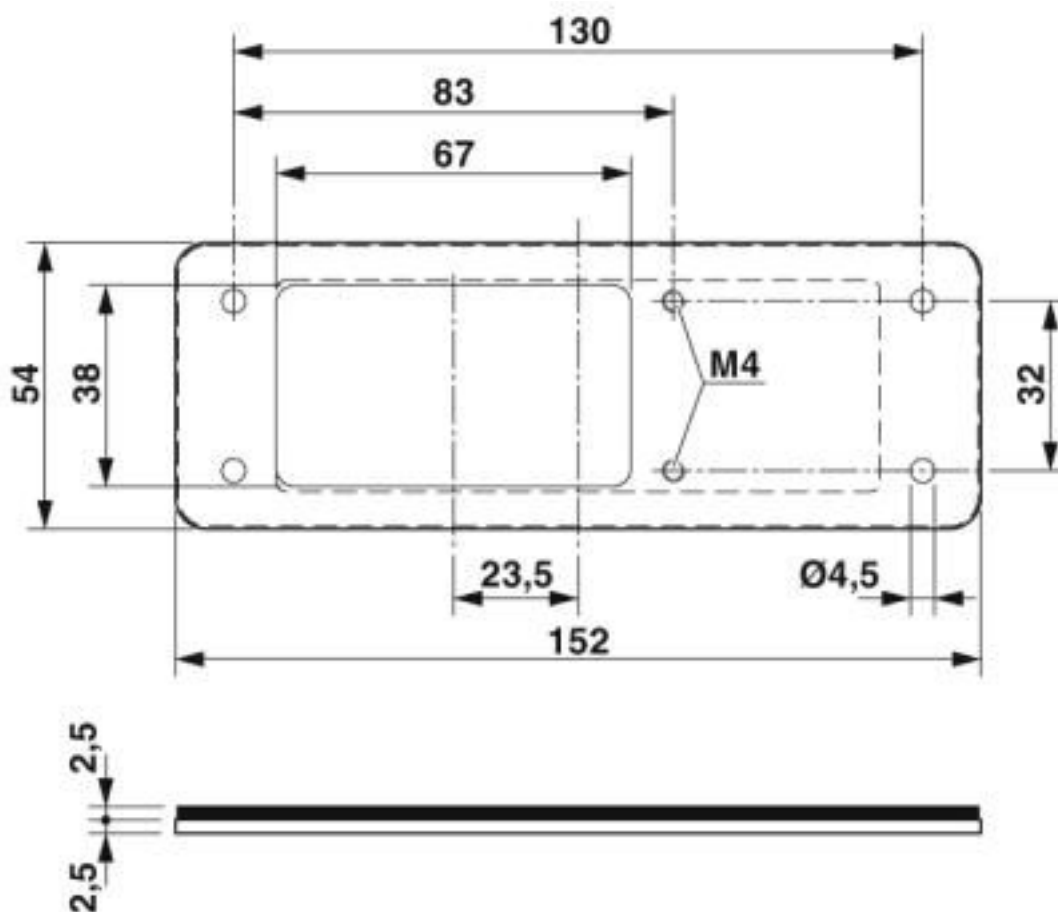
Technical data

Environmental Product Compliance

	For details about hazardous substances go to tab "Downloads", Category "Manufacturer's declaration"
--	---

Drawings

Dimensional drawing



Dimensional drawing

Classifications

eCl@ss

eCl@ss 10.0.1	27440201
eCl@ss 6.0	27261200
eCl@ss 7.0	27440201
eCl@ss 9.0	27440201

Adapter plate - HC-B24/10-ADP-SS - 1034213

Classifications

ETIM

ETIM 5.0	EC002309
ETIM 6.0	EC002309
ETIM 7.0	EC002309