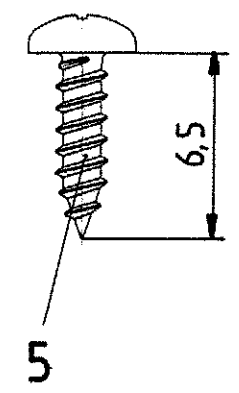
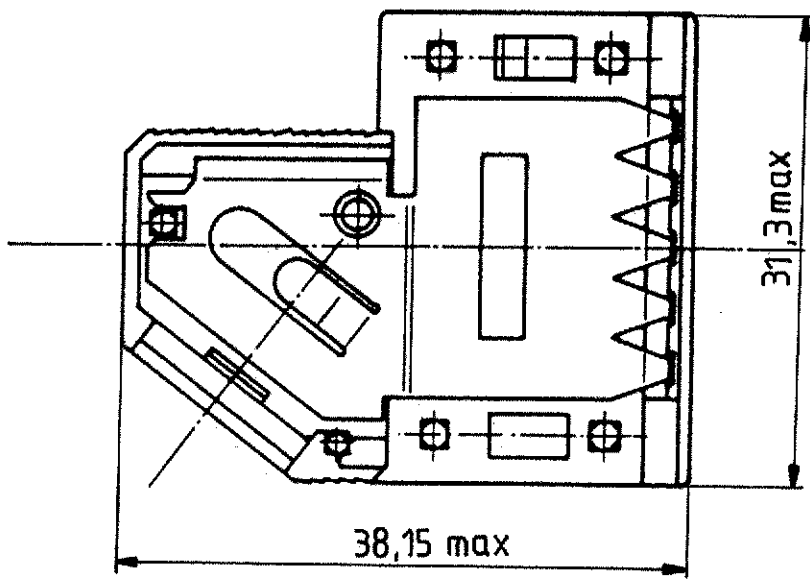
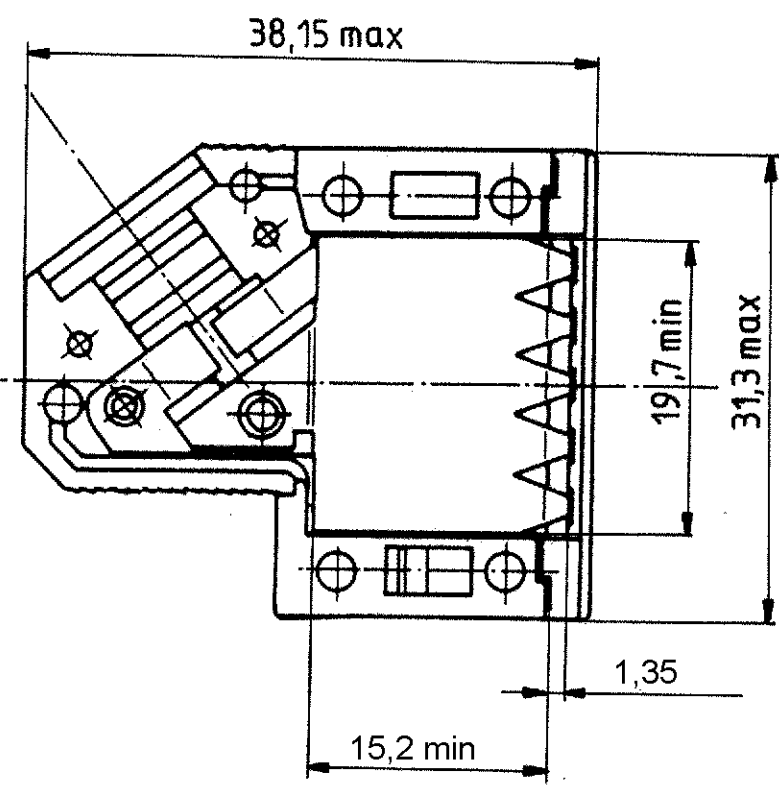
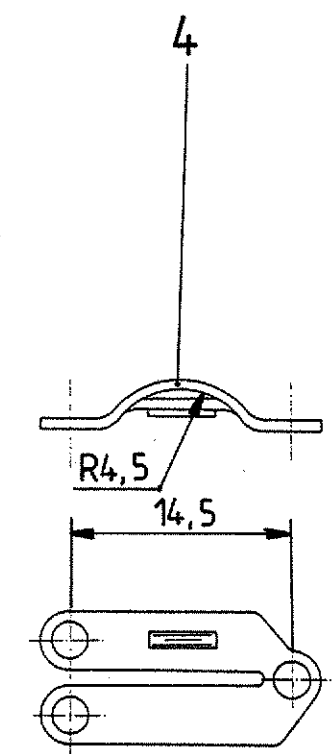
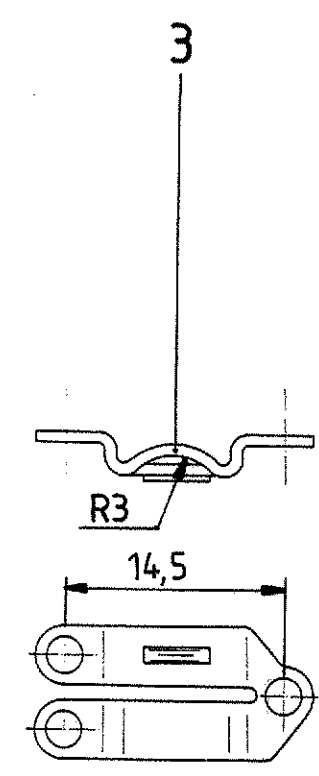
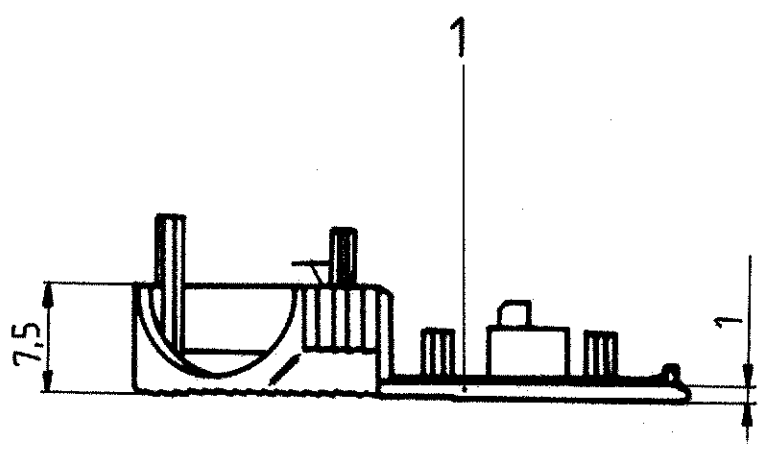
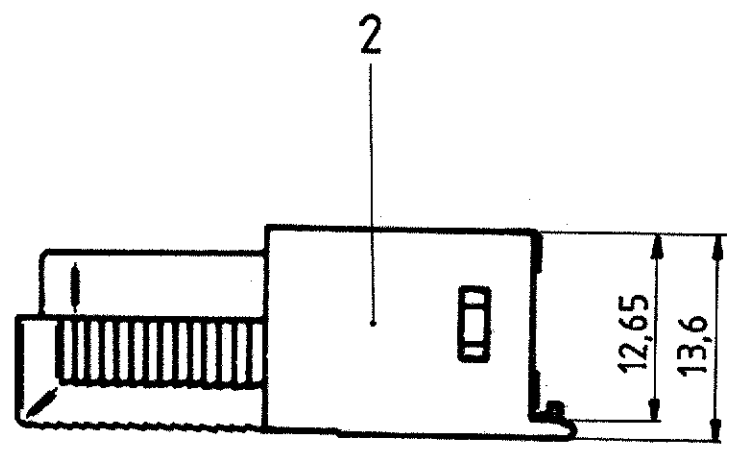


Sin nuestra autorización, queda terminantemente prohibida la reproducción total o parcial de este documento, así como su uso indebido y/o su exhibición o comunicación a terceros. De los infractores se exigirá el correspondiente resarcimiento de daños y perjuicios. Se reserva todos los derechos para el caso de la concesión de patente de invención o el registro de Modelo Industrial.

Weitergabe sowie Vervielfältigung dieser Unterlage, Verwertung und Mitteilung ihres Inhalts sind nicht gestattet, soweit nicht ausdrücklich zugestanden. Zuwiderhandlungen verpflichten zu Schadenersatz. Alle Rechte für den Fall der Patenterteilung oder GM-Eintragung vorbehalten.

Copying of this document, and giving it to others and the use or communication of the contents thereof, are forbidden without express authority. Offenders are liable to the payment of damages. All rights are reserved in the event of the grant of a patent or the registration of a utility model or design.



1 FOR PLASTIC PARTS (POS. 1 AND 2):
 - LENGTHS: DIN 16901/130,
 - ANGLES, FORMS: DIN 7168-m, R,
 FOR METAL PARTS (POS. 3 AND 4): DIN 7168-m,
 FOR SCREWS (POS. 5 AND 6): DIN 7981 F-H.

P/N 9 contacts version: V42254-A6000-G*09

| | | |
|-------------------|--------------------------------------|--|
| | Maßstab | |
| | TE Connectivity | |
| Datum: 30.08.88 | D-Sub housing shielded 9 contacts | |
| Bearb: De Petter | | |
| Geor: PD Com P&SE | | |
| Norm: | | |

| | | | | |
|-------|---------------|---------|-------|-----|
| A5 | ECR-10-026542 | 03FEB11 | HK | HMR |
| A4 | ECR-10-017904 | 08DEC10 | FK | KMA |
| A3 | ECR-10-010763 | 24AUG10 | FK | KMA |
| Zust: | Mitteilung | Datum: | Name: | |

TOLERANCES UNLESS OTHERWISE SPECIFIED:

V42254-A6000-G***-*-27

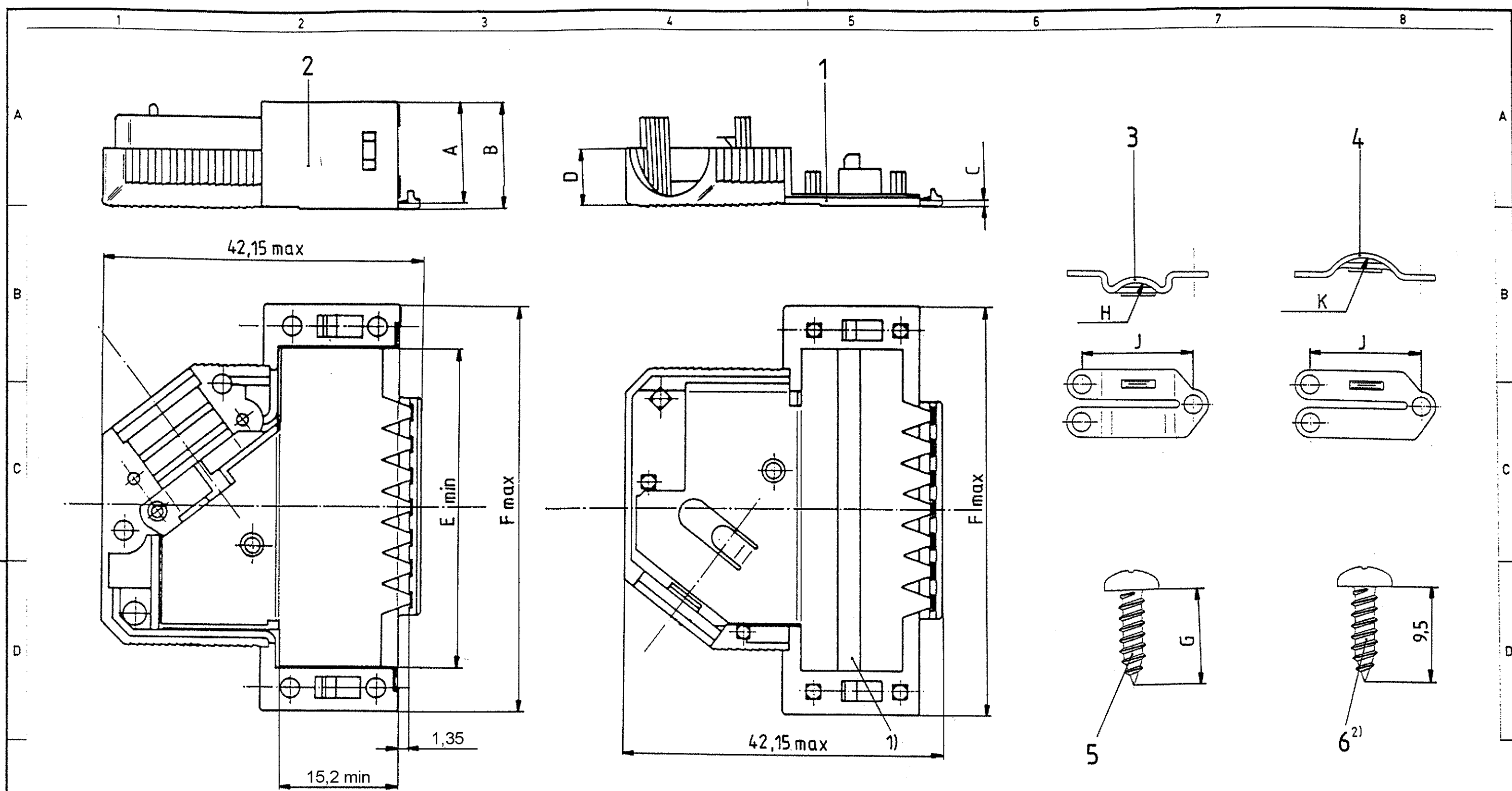
customer drawing number: C 1393738-1

page 1+ of 6

Si esta copia o parte de ella se utiliza para cualquier otro propósito, queda automáticamente prohibida la reproducción total o parcial de este documento, así como su uso indebido y/o su exhibición o comunicación a terceros. De los infractores se exigirá el correspondiente resarcimiento de daños y perjuicios. Se reserva todos los derechos para el caso de la concesión de patente de invención o el registro de Modelo Industrial.

Wiedergabe sowie Verwertung dieses Unterlage, Verweirung und Mitteilung ihres Inhalts nicht gestattet, soweit nicht ausdrücklich zugestanden. Zuwiderhandlungen verpflichten zu Schadenersatz. Alle Rechte für den Fall der Patenterteilung oder GM Untertagung vorbehalten.

Copying of this document and using it in others and the use or communication of the contents thereof are forbidden without express authority. Offenders are liable to the payment of damages. All rights are reserved in the event of the grant of a patent or the registration of a utility model or design.



| housing | | dimension | | | | | | | | | |
|---------------|-----------------|-----------|------|-----|-----|-------|-------|-----|------|------|------|
| P/N | No. of contacts | A | B | C | D | E | F | G | H | J | K |
| V42254-A6000- | | | | | | | | | | | |
| G × 15 | 15 | | | | | 28 | 39,62 | | R3 | 14,5 | R4,5 |
| G × 25 | 25 | 13 | 14 | 1 | 7,5 | 41,8 | 53,52 | 6,5 | R4 | 16 | R5,5 |
| G × 37 | 37 | | | | | 58,25 | 69,8 | | | | |
| G × 50 | 50 | 16 | 17,5 | 1,5 | 9,5 | 55,78 | 67,41 | 9,5 | R5,5 | 20,6 | R7 |

2) only for the 37 contacts version
 1) tape only for the 15 to 37 contacts versions
 drawn is the 25 contacts version

| | | | | | | | | | | | | | |
|----------------|--|-----------------------------|--|-------------------------------|--|--|--|--|--|--|--|--------------------|--|
| A5 SEE SHEET 1 | | Zust. Mitteilung Datum Name | | TE TE Connectivity | | Maßstab D-Sub housing shielded 15 to 50 contacts | | Datum: 30.08.88 Bearb. De Petter Gedr. PD Com P&SE Norm.: | | V42254-A6000-G***-*-27 customer drawing number: C 1393738-1 | | page 2+ of 6 | |
|----------------|--|-----------------------------|--|-------------------------------|--|--|--|--|--|--|--|--------------------|--|

V 4 2 2 5 4 - A 6 0 0 * - G * * *

Housing type

G plastic housing, shielded

Marking and colour of the housing

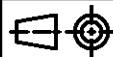
- 1 TE-marking, grey
- 2 without marking, grey
- 3 TE-marking, black
- 4 without marking, black

| Packaging | wire diameter | No. of contacts - housing size | | | | | | |
|-----------|---------------|--------------------------------|--------|-------|---|--------|----|------------------------------|
| | | 0 | 1 | 2 | 3 | 4 | | |
| set 1) | 9-14,5 | 4-8 | 4-6 | 6-8 | | 4-8 | 09 | 9 contact - housing size 1 |
| 200 2) | 9-12 | 5-10 | 5-8 | 8-10 | | 5-10 | 15 | 15 contacts - housing size 2 |
| 200 2) | 12-14,5 | 5-11 | 5-8,5 | 8,5-1 | | 5-11 | 25 | 25 contacts - housing size 3 |
| 200 2) | | 6-11 | 6-8 | 10-11 | | 6-11 | 37 | 37 contacts - housing size 4 |
| 200 2) | | 9-14,5 | 9-14,5 | 6-11 | | 9-14,5 | 50 | 50 contacts - housing size 5 |

1) per set, in blister
 - 9 and 15 contacts : 25
 - 25, 37 and 50 contacts : 15
 2) loose pieces, in cardboard : 200



TE Connectivity



LOC DIMENSIONS IN MM

SCALE

WEIGHT

MATERIAL

DATE 30.08.88

NAME

NAME De Petter

D-Sub Housing

DEP. PD Com P&SE

shielded

EC

TOLERANCE UNLESS SPECIFIED OTHERWISE

DWG NO.

SHT. 3+

V42254-A6000-G***-*-27

A5 SEE SHEET 1

REV. CHANGE ORDER DATE APP. customer drawing number: C 1393738-1

OF 6

THIS INFORMATION IS CONFIDENTIAL AND PROPRIETARY TO TYCO ELECTRONICS CORPORATION AND ITS WORLDWIDE SUBSIDIARIES AND AFFILIATES. IT MAY NOT BE DISCLOSED TO ANYONE, OTHER THAN TYCO ELECTRONICS PERSONEL, WITHOUT WRITTEN AUTHORIZATION FROM TYCO ELECTRONICS CORPORATION, HARRISBURG, PENNSYLVANIA USA.

PROPRIETARY:

1

2

3

4

Active part numbers. Contact
Tyco Electronics for
other configuration availability

| Old Part Number | TE Part Number | |
|-------------------|----------------------|---------------------------|
| V42254-A6000-G109 | 1393738-1 | |
| V42254-A6000-G115 | 1393738-2 | |
| V42254-A6000-G125 | 1393738-3 | |
| V42254-A6000-G137 | 1393738-4 | |
| V42254-A6000-G150 | 1393738-5 | |
| V42254-A6000-G209 | 1393738-6 | OBSOLETE |
| V42254-A6000-G309 | 1393738-7 | |
| V42254-A6000-G315 | 1393738-8 | OBSOLETE |
| V42254-A6000-G325 | 1393738-9 | SUPERSEDED BY 1393738-1 |
| V42254-A6001-G109 | 4-1393738-2 | OBSOLETE |
| V42254-A6001-G125 | 4-1393738-4 | SUPERSEDED BY 6-1393738-1 |
| V42254-A6001-G309 | 4-1393738-5 | SUPERSEDED BY 1-1393739-9 |
| V42254-A6001-G315 | 4-1393738-6 | SUPERSEDED BY 6-1393738-7 |
| V42254-A6002-G109 | 5-1393738-0 | OBSOLETE |
| V42254-A6002-G125 | 5-1393738-2 | SUPERSEDED BY 6-1393738-1 |
| V42254-A6003-G137 | 5-1393738-7 | SUPERSEDED BY 6-1393738-2 |
| V42254-A6004-G109 | 5-1393738-9 | |
| V42254-A6004-G115 | 6-1393738-0 | |
| V42254-A6004-G125 | 6-1393738-1 | |
| V42254-A6004-G137 | 6-1393738-2 | |
| V42254-A6004-G150 | 6-1393738-3 | |
| V42254-A6004-G209 | 6-1393738-4 | SUPERSEDED BY 5-1393738-9 |
| V42254-A6004-G215 | 6-1393738-5 | OBSOLETE |
| V42254-A6004-G225 | 6-1393738-6 | OBSOLETE |
| V42254-A6004-G309 | 1-1393739-9 | |
| V42254-A6004-G315 | 6-1393738-7 | |
| V42254-A6004-G325 | 2-1393739-0 | OBSOLETE |
| V42254-A6004-G337 | 2-1393739-1 | SUPERSEDED BY 6-1393738-2 |
| V42254-A6004-G350 | 2-1393739-2 | SUPERSEDED BY 6-1393738-3 |
| V42254-A6004-G409 | 6-1393738-8 | OBSOLETE |
| V42254-A6004-G415 | 6-1393738-9 | OBSOLETE |
| V42254-A6004-G437 | 7-1393738-1 | OBSOLETE |



TE Connectivity


 LOC
DIMENSIONS
IN MM

SCALE

WEIGHT

MATERIAL

DATE 30.08.88

NAME De Petter

DEP. PD Com P&SE

EC

TOLERANCE UNLESS
SPECIFIED OTHERWISE

NAME

D-Sub Housing

shielded

DWG NO.

V42254-A6000-G***-*-27

SHT. 4+

A5 SEE SHEET 1.

REV. CHANGE ORDER

DATE

APP.

Customer Drawing: C 1393738-1

OF 6

1

2

3

4

 THIS INFORMATION IS CONFIDENTIAL AND PROPRIETARY TO TYCO ELECTRONICS CORPORATION AND ITS WORLDWIDE
 SUBSIDIARIES AND AFFILIATES. IT MAY NOT BE DISCLOSED TO ANYONE, OTHER THAN TYCO ELECTRONICS PERSONEL,
 WITHOUT WRITTEN AUTHORIZATION FROM TYCO ELECTRONICS CORPORATION, HARRISBURG, PENNSYLVANIA USA.

PROPRIETARY:




PROPRIETARY: THIS INFORMATION IS CONFIDENTIAL AND PROPRIETARY TO TYCO ELECTRONICS CORPORATION AND ITS WORLDWIDE SUBSIDIARIES AND AFFILIATES. IT MAY NOT BE DISCLOSED TO ANYONE, OTHER THAN TYCO ELECTRONICS PERSONNEL, WITHOUT WRITTEN AUTHORIZATION FROM TYCO ELECTRONICS CORPORATION, HARRISBURG PENNSYLVANIA USA

V 4 2 2 5 4 - A 6 1 * * - L 1

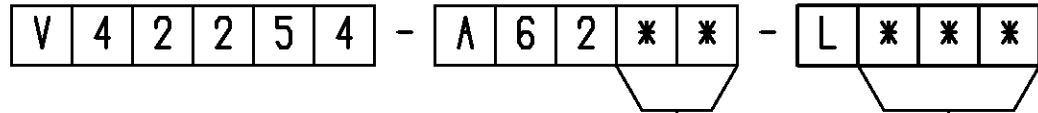
| Technical data | | |
|----------------|--|---------------------------------------|
| | contact tube outer diameter ±0.1 | for shield braiding outer diameter |
| 04 | 4 | 2.0 to 2.7 |
| 05 | 5 | 2.8 to 3.7 |
| 06 | 6 | 3.8 to 4.7 |
| 07 | 7 | 4.8 to 5.7 |
| 08 | 8 | 5.8 to 6.7 |
| 09 | 9 | 6.8 to 7.7 |
| 10 | 10 | 7.8 to 8.7 |
| 11 | 11 | 8.8 to 9.7 |
| 12 | 12 | 9.8 to 10.7 |
| 13 | 13 | 10.8 to 11.7 |
| 14 | 14 | 11.8 to 12.7 |
| 15 | 15 | 12.8 to 13.7 |

Active part numbers. Contact Tyco Electronics for other configuration availability

| Old Part Number | TE Part Number | |
|-----------------|------------------------|----------|
| V42254-A6104-L1 | 3-1393561-2 | OBSOLETE |
| V42254-A6105-L1 | 3-1393561-3 | |
| V42254-A6106-L1 | 3-1393561-4 | |
| V42254-A6107-L1 | 3-1393561-5 | |
| V42254-A6108-L1 | 3-1393561-6 | |
| V42254-A6109-L1 | 3-1393561-9 | |
| V42254-A6110-L1 | 4-1393561-0 | |
| V42254-A6111-L1 | 4-1393561-1 | OBSOLETE |
| V42254-A6112-L1 | 4-1393561-2 | |
| V42254-A6113-L1 | 4-1393561-3 | OBSOLETE |
| V42254-A6114-L1 | 4-1393561-4 | OBSOLETE |
| V42254-A6115-L1 | 5-1393502-9 | OBSOLETE |

| | | | | | | | |
|---|--------------|------|------|--------------------------------------|--|---------|--|
| APPLICABLE SPEC.: | | | | FINISH | | | |
|  | | | | DIMENSIONS APPLY | | PLATING | |
| | | | | SCALE | | WEIGHT | |
|  | | | | MATERIAL | | | |
|  | | | | NAME | | | |
| DATE 30.08.88 | | | | D-Sub Housing | | | |
| NAME De Petter | | | | accessories: contact tubes | | | |
| DEP. PD Com P&SE | | | | DWG NO. | | | |
| EC | | | | V42254-A6000-G***-*-27 | | | |
| TOLERANCE UNLESS SPECIFIED OTHERWISE | | | | SHT. 5+ | | | |
| A5 | SEE SHEET 1 | | | OF 6 | | | |
| REV. | CHANGE ORDER | DATE | APP. | customer drawing number: C 1393738-1 | | | |

PROPRIETARY: THIS INFORMATION IS CONFIDENTIAL AND PROPRIETARY TO TYCO ELECTRONICS CORPORATION AND ITS WORLDWIDE SUBSIDIARIES AND AFFILIATES. IT MAY NOT BE DISCLOSED TO ANYONE, OTHER THAN TYCO ELECTRONICS PERSONNEL, WITHOUT WRITTEN AUTHORIZATION FROM TYCO ELECTRONICS CORPORATION, HARRISBURG PENNSYLVANIA USA



| | | Technical Data | |
|----|------|-----------------------------|----------------------|
| | | bushing inner diameter ±0.2 | cable outer diameter |
| 00 | 1)2) | / | / |
| 05 | 3) | 5 | 4.2 to 4.9 |
| 06 | 3) | 6 | 5.0 to 5.9 |
| 07 | 3) | 7 | 6.0 to 6.9 |
| 08 | 3) | 8 | 7.0 to 7.9 |
| 09 | 3) | 9 | 8.0 to 8.9 |
| 10 | 2) | 10 | 9.0 to 9.9 |
| 11 | 2) | 11 | 10.0 to 10.9 |
| 12 | 4) | 12 | 11.0 to 11.9 |
| 13 | 4) | 13 | 12.0 to 12.9 |
| 14 | 4) | 14 | 13.0 to 13.9 |
| 15 | 4) | 15 | 14.0 to 14.9 |

| | contacts | colour |
|-----|----------|--------|
| 1 | 9 to 37 | grey |
| 50 | 50 | grey |
| 100 | 9 to 37 | black |
| 150 | 50 | black |

Active part numbers. Contact Tyco Electronics for other configuration availability

| Old Part Number | TE Part Number | |
|-------------------|----------------|----------|
| V42254-A6200-L 1 | 4-1393561-5 | OBSOLETE |
| V42254-A6200-L 50 | 4-1393561-6 | |
| V42254-A6200-L100 | 5-1393502-1 | OBSOLETE |
| V42254-A6200-L150 | 5-1393502-2 | OBSOLETE |
| V42254-A6205-L 1 | 4-1393561-7 | |
| V42254-A6205-L100 | 4-1393561-8 | |
| V42254-A6206-L 1 | 4-1393561-9 | |
| V42254-A6206-L100 | 5-1393561-0 | |
| V42254-A6207-L 1 | 5-1393561-1 | |
| V42254-A6207-L100 | 5-1393561-4 | OBSOLETE |
| V42254-A6208-L 1 | 5-1393561-5 | |
| V42254-A6208-L100 | 5-1393561-6 | OBSOLETE |
| V42254-A6209-L 1 | 5-1393561-7 | |
| V42254-A6209-L100 | 5-1393561-8 | |
| V42254-A6210-L 1 | 5-1393561-9 | |
| V42254-A6210-L 50 | 6-1393561-0 | OBSOLETE |
| V42254-A6210-L100 | 6-1393561-1 | OBSOLETE |
| V42254-A6210-L150 | 5-1393502-3 | OBSOLETE |
| V42254-A6211-L 1 | 6-1393561-2 | |
| V42254-A6211-L 50 | 6-1393561-3 | OBSOLETE |
| V42254-A6211-L100 | 5-1393502-4 | OBSOLETE |
| V42254-A6211-L150 | 5-1393502-5 | OBSOLETE |
| V42254-A6212-L 50 | 6-1393561-4 | |
| V42254-A6212-L150 | 5-1393502-6 | OBSOLETE |
| V42254-A6213-L 50 | 6-1393561-5 | OBSOLETE |
| V42254-A6213-L150 | 5-1393502-7 | OBSOLETE |
| V42254-A6214-L 50 | 6-1393561-6 | OBSOLETE |
| V42254-A6214-L150 | 5-1393502-8 | OBSOLETE |
| V42254-A6215-L 50 | 8-1393501-5 | OBSOLETE |
| V42254-A6215-L150 | 6-1393561-7 | OBSOLETE |

- 4) only for 50 contacts
- 3) only for 9 to 37 contacts
- 2) for 9 to 50 contacts
- 1) Blank bushing

| | | | | | | | |
|--------------------------------------|--|------|--|---|--|---------|--|
| APPLICABLE SPEC.: | | | | FINISH | | | |
| | | | | DIMENSIONS APPLY | | PLATING | |
| | | | | SCALE | | WEIGHT | |
| | | | | MATERIAL | | | |
| DATE 30.08.88 | | | | NAME | | | |
| NAME De Petter | | | | D-Sub Housing | | | |
| DEP. PD Com P&SE | | | | accessories: cable bushings | | | |
| EC | | | | DWG NO. | | | |
| TOLERANCE UNLESS SPECIFIED OTHERWISE | | | | V42254-A6000-G***-*-27 | | | |
| A5 SEE SHEET 1 | | | | SHT. 6- | | | |
| REV. CHANGE ORDER | | DATE | | APP. customer drawing number: C 1393738-1 | | OF 6 | |