



1

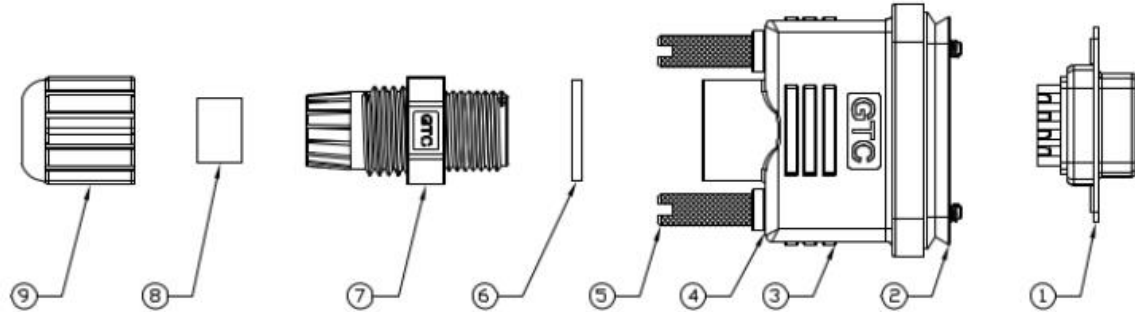
2

3

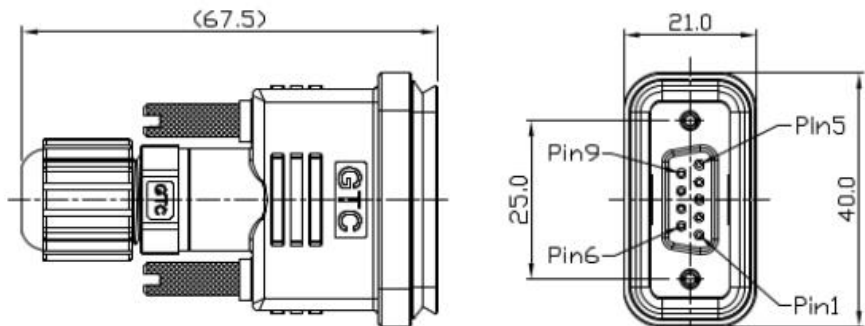
4

Notes: (Unless Otherwise Specified)  
 1. Waterproof Rate: IP67.  
 2. Suitable Cable OD= 4.0 mm to 8.0 mm  
 3. Recommend Cover Torque: 6.0 to 7.0 Kgf-cm.  
 4. Recommend Gland Nut Torque: 9.0 to 10.0 Kgf-cm.  
 5. RoHS Compliance.

REV	ECN#	DESCRIPTION OF REVISION	DRAW BY DATE	CHECK BY DATE	APPROVE BY DATE
A0		Mass Production	Vicky 07/25/11	Lucas 07/25/11	Ray 07/25/11



9	Gland Nut	Thermal Plastic Color: Black	1
8	Gland	Silicone Color: Black	1
7	Cover	Thermal Plastic Color: Black	1
6	Gasket	EPDM Color: Black	1
5	Screw	Cutting Iron Finish: Ni Plated	2
4	Gasket	EPDM Color: Black	2
3	Housing	Thermal Plastic Color: Black	1
2	Seal	EPDM Color: Black	1
1	D-SUB 9P Female	Housing: Thermal Plastic, Color: Black Contacts: Copper Alloy, Finish: Au Plated Shell: SPCC, Finish: Ni Plated	1
Item	Part Name	Material / Finish	Qty



Mating Part:  
122-3036

TITLE						REV.		
D-SUB 5A 9P Field Installable Cable End Female Solder						A0		
THIRD ANGLE PROJECTION	SIZE	SCALE	DRAW / DATE	CHECK / DATE	APPROVE / DATE	TOLERANCES	UNIT	SHEET
	B	1:1	Edwin 01/07/10	Ray 01/07/10	Ray 01/07/10	X.X ± 0.5 X.XX ± 0.2	mm	1/1
						X.XXX ANGLES ± 0.05 ± 1°		

RS Stock No  
122-3043

1

2

3

4