



Datasheet

RS PRO Mounting Ears

Stock number: 2006740

EN



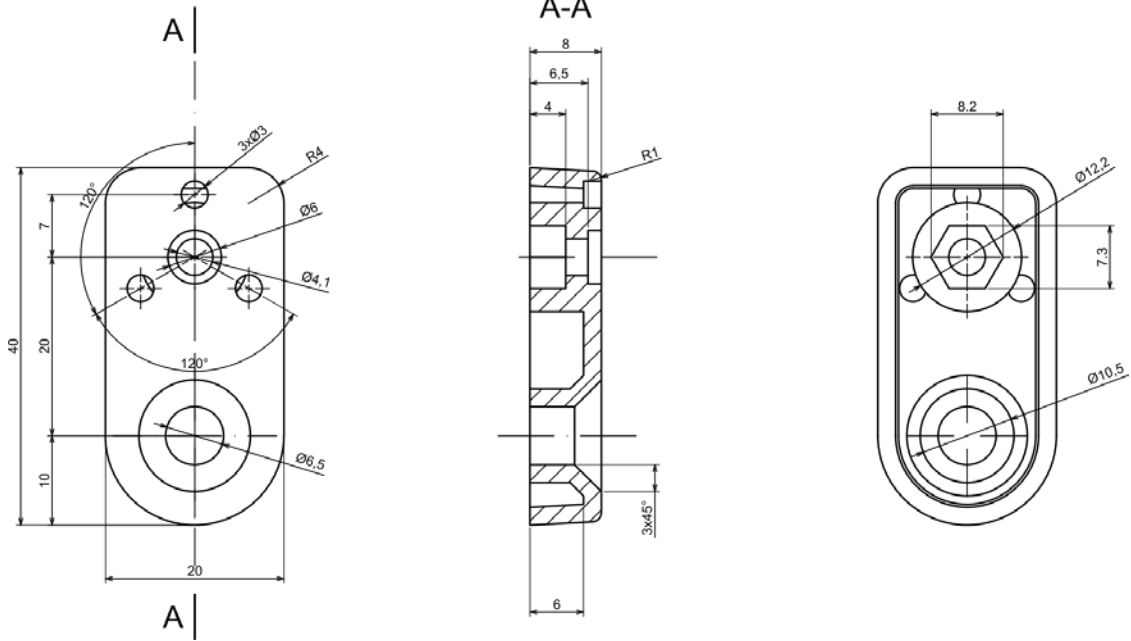
Product Details

Universal mounting ears. It can be attached to RS PRO 1920697, RS PRO 2006658 and RS PRO 2006659 hermetic enclosures and positioned by three holes. It allows installation of sensitive equipment in unfavorable conditions because there is no need to open the enclosure during installation.

Features and Benefits

- Made of PC
- Universal - can be attached to different enclosures using M4 Screw and bolt
- Enables installation of the enclosure without opening it.

rspro.com



Category	Accessories
Type	Full
Material	PC
Option	Without gasket
Height	8.0 mm
Width	20.0 mm
Length	40.0 mm
Colour	Lightgray (J)
Standards Met	RoHS Compliant
Accessories	Nut M4: 1.0 pcs Bolt M4/8: 1.0 pcs

All dimensions are given within +/-0,5mm tolerance

