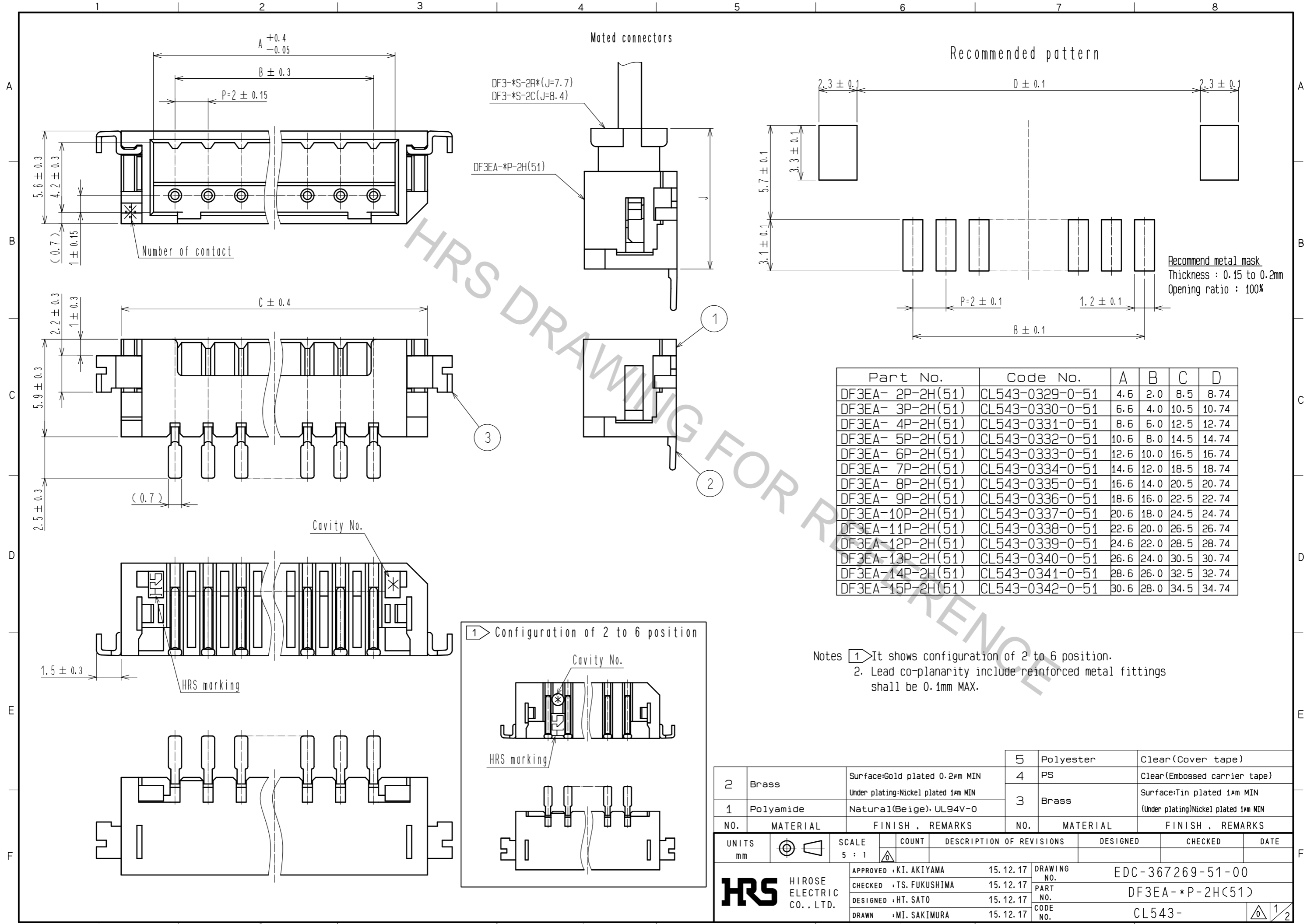
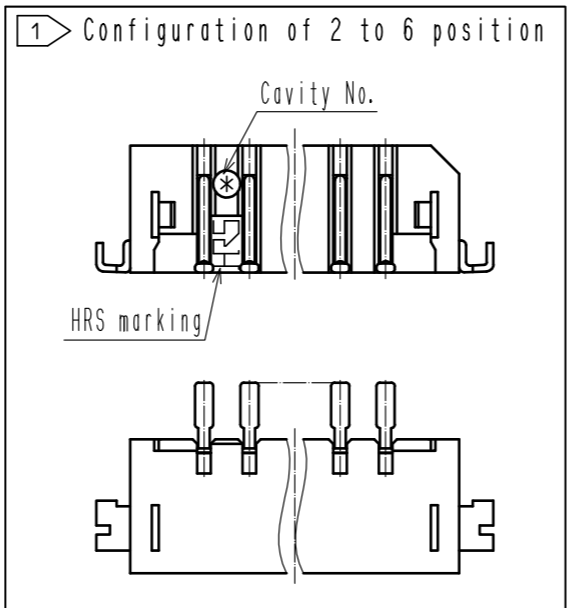


Apr.1.2017 Copyright 2017 HIROSE ELECTRIC CO., LTD. All Rights Reserved.



Part No.	Code No.	A	B	C	D
DF3EA- 2P-2H(51)	CL543-0329-0-51	4.6	2.0	8.5	8.74
DF3EA- 3P-2H(51)	CL543-0330-0-51	6.6	4.0	10.5	10.74
DF3EA- 4P-2H(51)	CL543-0331-0-51	8.6	6.0	12.5	12.74
DF3EA- 5P-2H(51)	CL543-0332-0-51	10.6	8.0	14.5	14.74
DF3EA- 6P-2H(51)	CL543-0333-0-51	12.6	10.0	16.5	16.74
DF3EA- 7P-2H(51)	CL543-0334-0-51	14.6	12.0	18.5	18.74
DF3EA- 8P-2H(51)	CL543-0335-0-51	16.6	14.0	20.5	20.74
DF3EA- 9P-2H(51)	CL543-0336-0-51	18.6	16.0	22.5	22.74
DF3EA-10P-2H(51)	CL543-0337-0-51	20.6	18.0	24.5	24.74
DF3EA-11P-2H(51)	CL543-0338-0-51	22.6	20.0	26.5	26.74
DF3EA-12P-2H(51)	CL543-0339-0-51	24.6	22.0	28.5	28.74
DF3EA-13P-2H(51)	CL543-0340-0-51	26.6	24.0	30.5	30.74
DF3EA-14P-2H(51)	CL543-0341-0-51	28.6	26.0	32.5	32.74
DF3EA-15P-2H(51)	CL543-0342-0-51	30.6	28.0	34.5	34.74

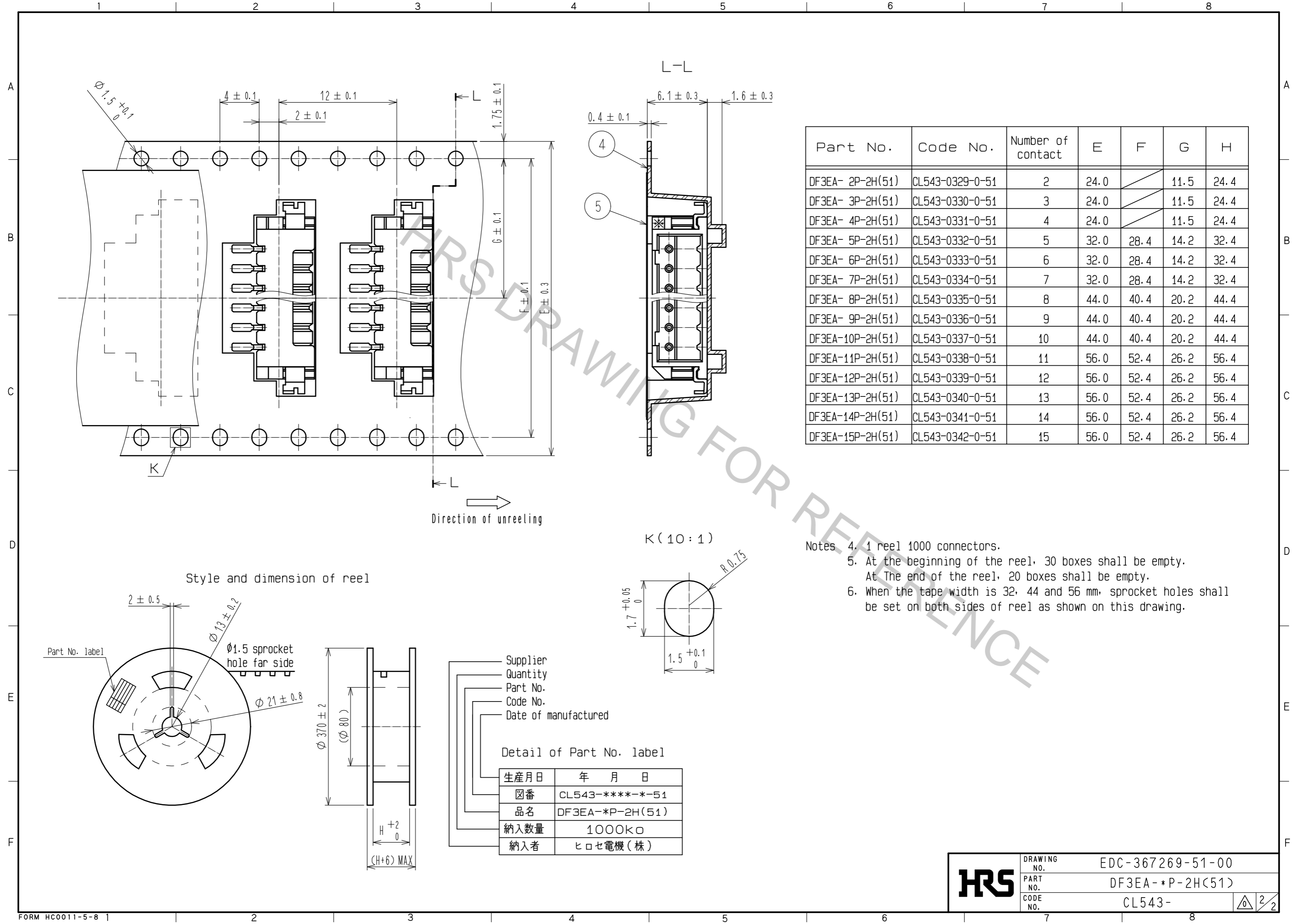


Notes 1 It shows configuration of 2 to 6 position.
2. Lead co-planarity include reinforced metal fittings shall be 0.1mm MAX.

NO.	MATERIAL	FINISH .	REMARKS	NO.	MATERIAL	FINISH .	REMARKS
2	Brass	Surface:Gold plated 0.2μm MIN Under plating:Nickel plated 1μm MIN		5	Polyester		Clear(Cover tape)
1	Polyamide	Natural(Beige), UL94V-0		4	PS		Clear(Embossed carrier tape)
				3	Brass		Surface:Tin plated 1μm MIN (Under plating)Nickel plated 1μm MIN

UNITS	SCALE	COUNT	DESCRIPTION OF REVISIONS	DESIGNED	CHECKED	DATE
mm	5 : 1	△				

APPROVED : KI. AKIYAMA	15.12.17	DRAWING NO.	EDC-367269-51-00
CHECKED : TS. FUKUSHIMA	15.12.17	PART NO.	DF3EA-*P-2H(51)
DESIGNED : HT. SATO	15.12.17	CODE NO.	CL543-
DRAWN : MI. SAKIMURA	15.12.17		



Part No.	Code No.	Number of contact	E	F	G	H
DF3EA- 2P-2H(51)	CL543-0329-0-51	2	24.0		11.5	24.4
DF3EA- 3P-2H(51)	CL543-0330-0-51	3	24.0		11.5	24.4
DF3EA- 4P-2H(51)	CL543-0331-0-51	4	24.0		11.5	24.4
DF3EA- 5P-2H(51)	CL543-0332-0-51	5	32.0	28.4	14.2	32.4
DF3EA- 6P-2H(51)	CL543-0333-0-51	6	32.0	28.4	14.2	32.4
DF3EA- 7P-2H(51)	CL543-0334-0-51	7	32.0	28.4	14.2	32.4
DF3EA- 8P-2H(51)	CL543-0335-0-51	8	44.0	40.4	20.2	44.4
DF3EA- 9P-2H(51)	CL543-0336-0-51	9	44.0	40.4	20.2	44.4
DF3EA-10P-2H(51)	CL543-0337-0-51	10	44.0	40.4	20.2	44.4
DF3EA-11P-2H(51)	CL543-0338-0-51	11	56.0	52.4	26.2	56.4
DF3EA-12P-2H(51)	CL543-0339-0-51	12	56.0	52.4	26.2	56.4
DF3EA-13P-2H(51)	CL543-0340-0-51	13	56.0	52.4	26.2	56.4
DF3EA-14P-2H(51)	CL543-0341-0-51	14	56.0	52.4	26.2	56.4
DF3EA-15P-2H(51)	CL543-0342-0-51	15	56.0	52.4	26.2	56.4

- Notes
- 1 reel 1000 connectors.
 - At the beginning of the reel, 30 boxes shall be empty.
At The end of the reel, 20 boxes shall be empty.
 - When the tape width is 32, 44 and 56 mm, sprocket holes shall be set on both sides of reel as shown on this drawing.

Supplier
Quantity
Part No.
Code No.
Date of manufactured

Detail of Part No. label

生産月日	年 月 日
箱番	CL543-****-*-51
品名	DF3EA-*P-2H(51)
納入数量	1000K□
納入者	ヒロセ電機(株)

HRS	DRAWING NO.	EDC-367269-51-00
	PART NO.	DF3EA-*P-2H(51)
	CODE NO.	CL543-