



Brand of NTN Group

## Technical data

### SESF212N

Bearing units

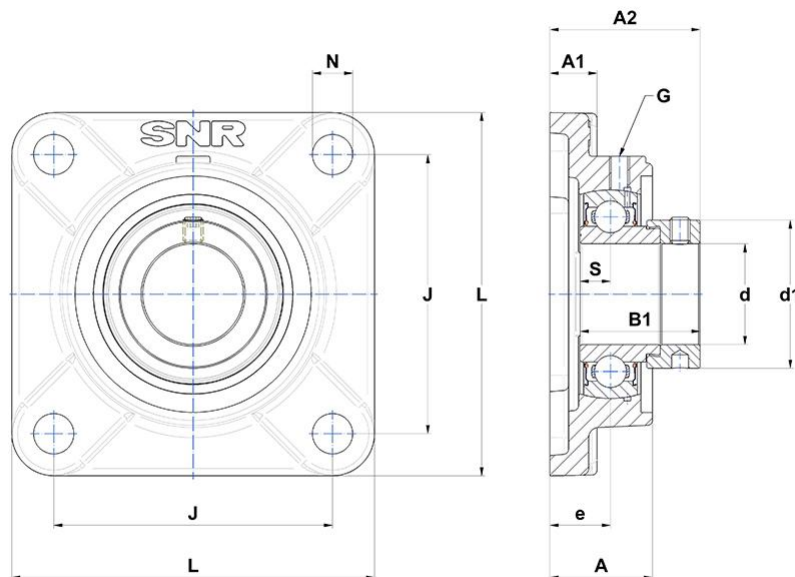


Stainless steel cast housing, stainless steel insert ball bearing with eccentric locking collar, single lip seal, food grease

## KIT CONTENT

SES212, SF212N

## VISUAL (S)



## PRODUCT DEFINITION

<b>Brand</b>	SNR
<b>A - Housing height</b>	48 mm
<b>A1 - Housing foot height / flange height</b>	20 mm
<b>A2 - Total height from mounting surface</b>	71,1 mm
<b>B - Width of Inner Ring</b>	37,1 mm



**NTN Europe**

1 rue des Usines · BP 2017 · 74010 Annecy Cedex · France · Tel. +33 (0)4 50 65 30 00  
S.A. au capital de 322 639 919 € · RCS ANNECY B 325 821 072 · Id. Fiscale : FR 48 325 821 072  
SIRET 325 821 072 00015 · Code APE 2815 Z · Code NACE 28.15

**PRODUCT DEFINITION**

<b>B1 - Overall width Inner Ring</b>	53,1 mm
<b>d - Shaft diameter</b>	60 mm
<b>d1 - Outer dia of eccent. Lock. collar / nut of adapter sleeve</b>	84,2 mm
<b>e - Distance mounting surface to bearing center</b>	29 mm
<b>G - Grease fitting</b>	M6x1
<b>J - Mounting holes distance</b>	143 mm
<b>L - Housing width / diameter</b>	175 mm
<b>N - Mounting hole dimension</b>	19 mm
<b>S - Distance front side/bearing centre</b>	11 mm

**PRODUCT PERFORMANCE**

<b>C - Dynamic load rating</b>	52400000 mN
<b>C0 - Static load rating</b>	35900000 mN
<b>Operating temperature min.</b>	253,15 °K
<b>Operating temperature max.</b>	373,15 °K

**OTHER FEATURES**

<b>Mass</b>	5,59 kg
<b>Recommended tightening torque for set screw</b>	18.7 N-m

