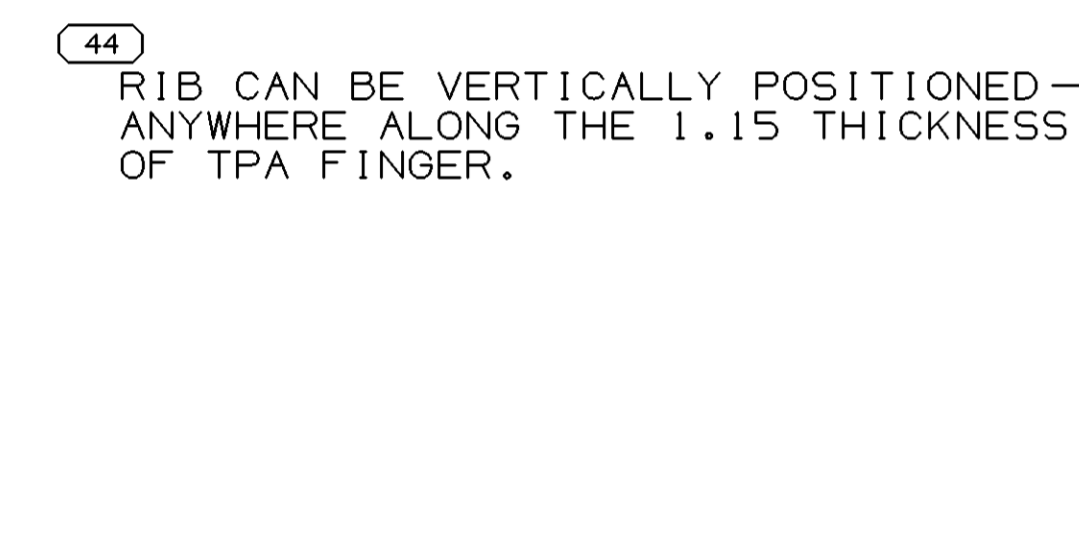
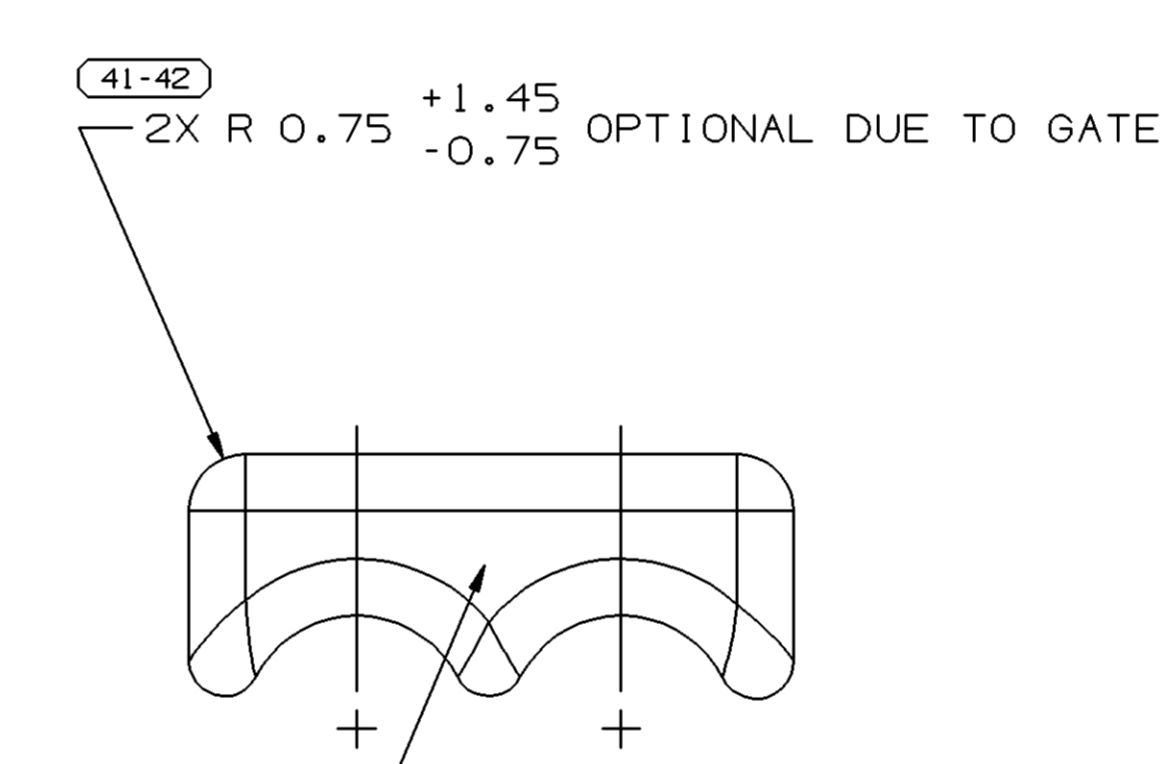
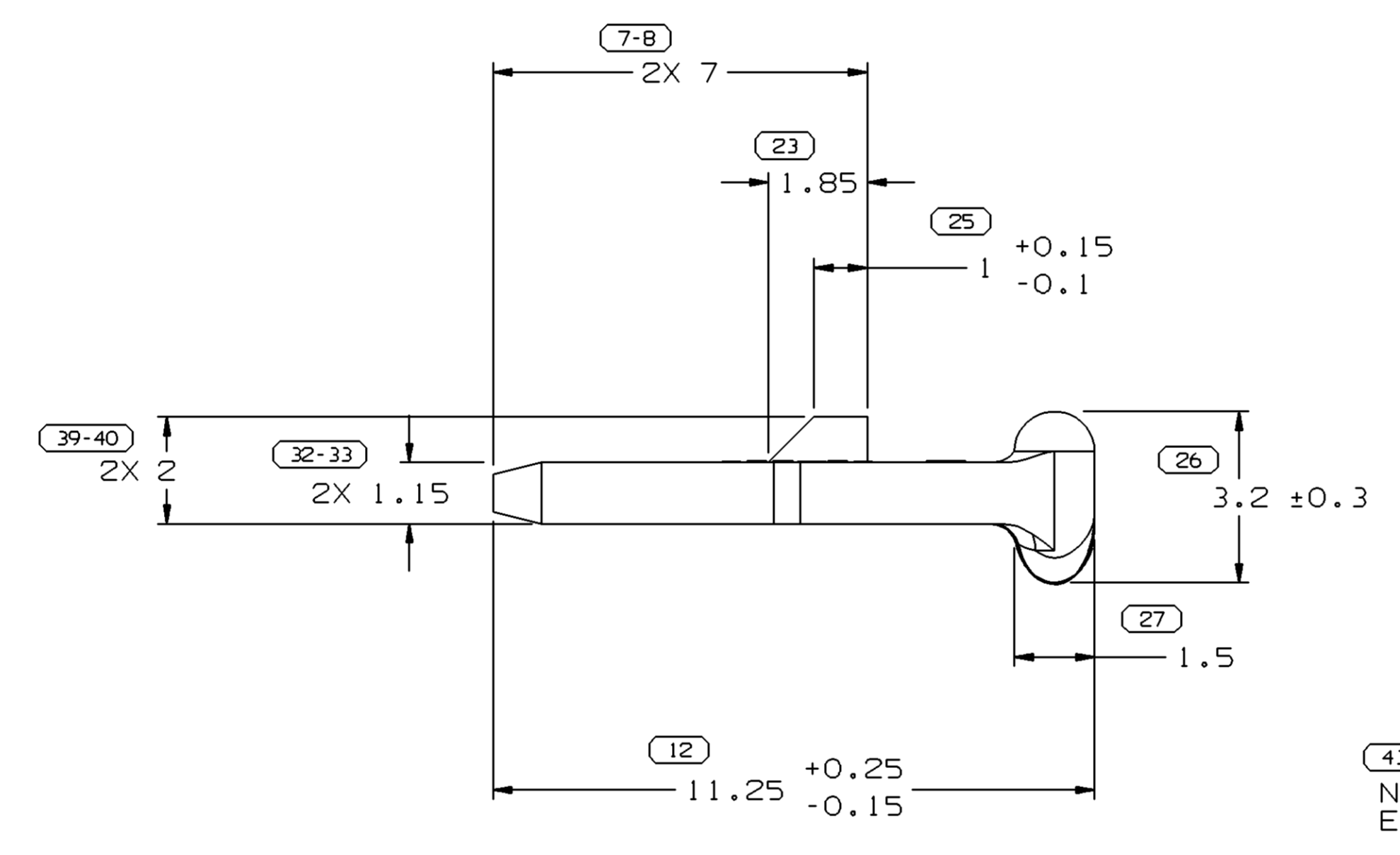
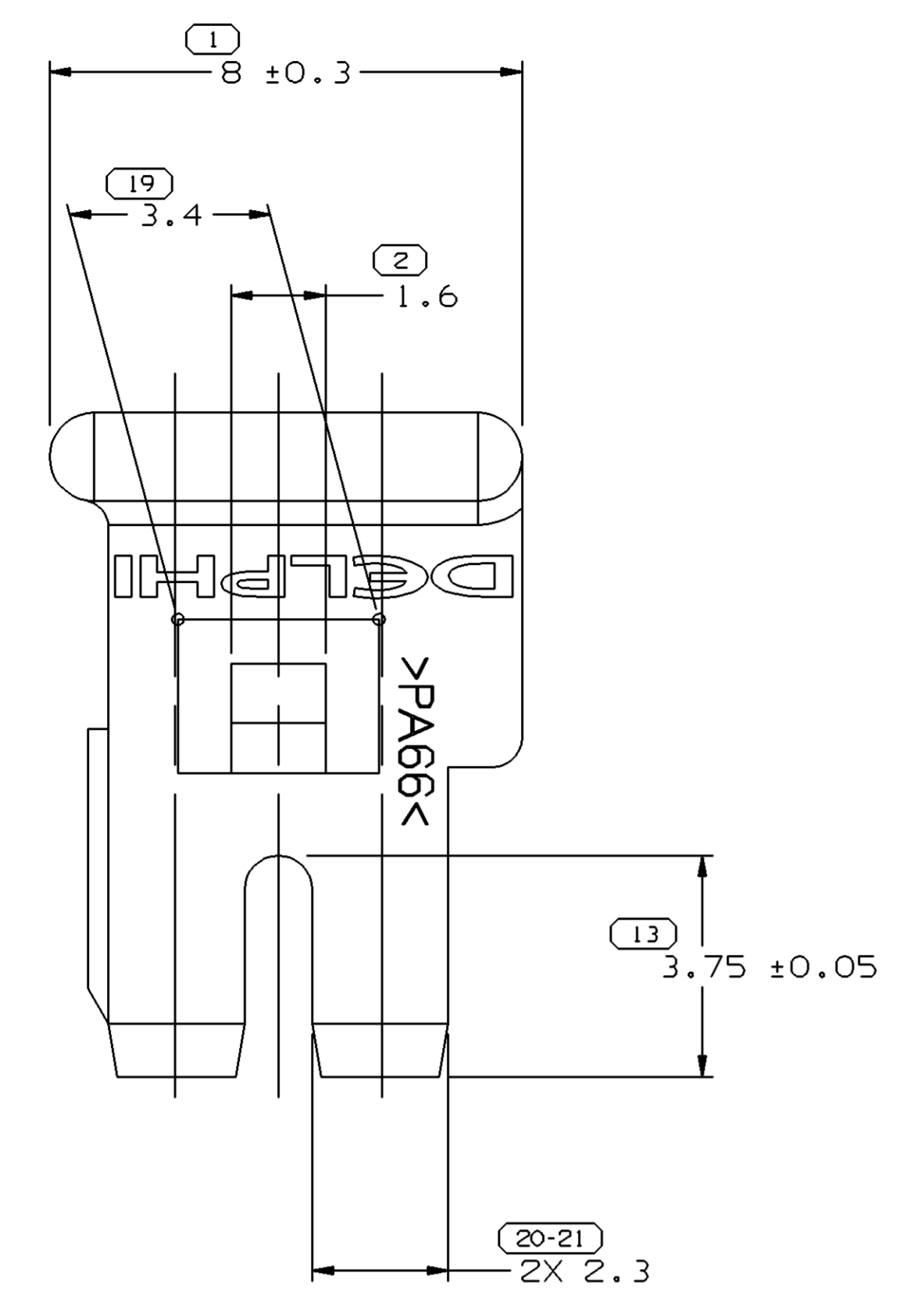
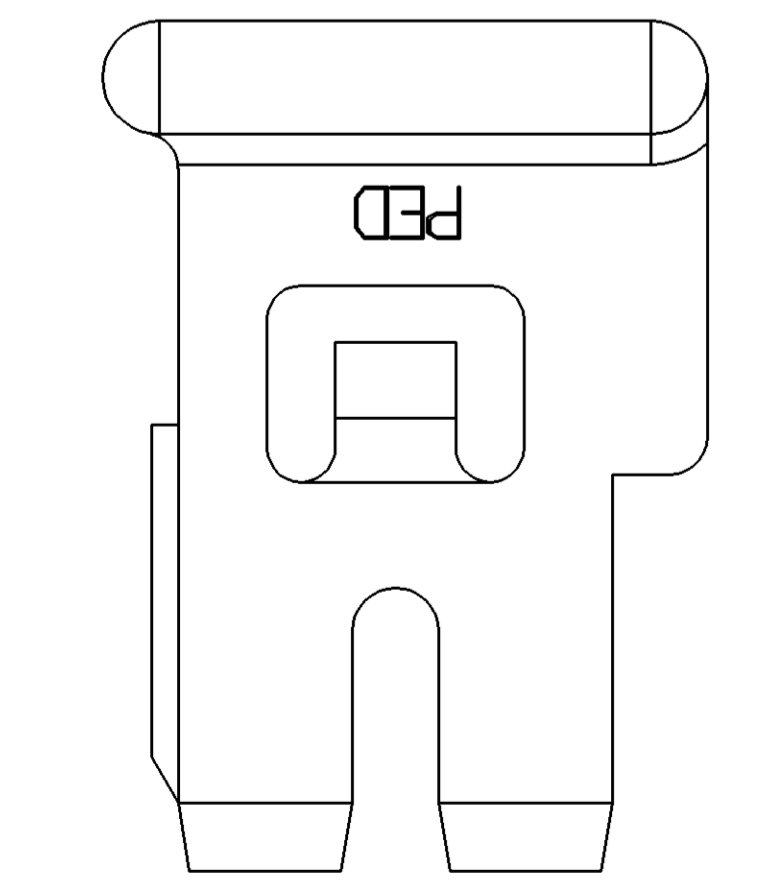
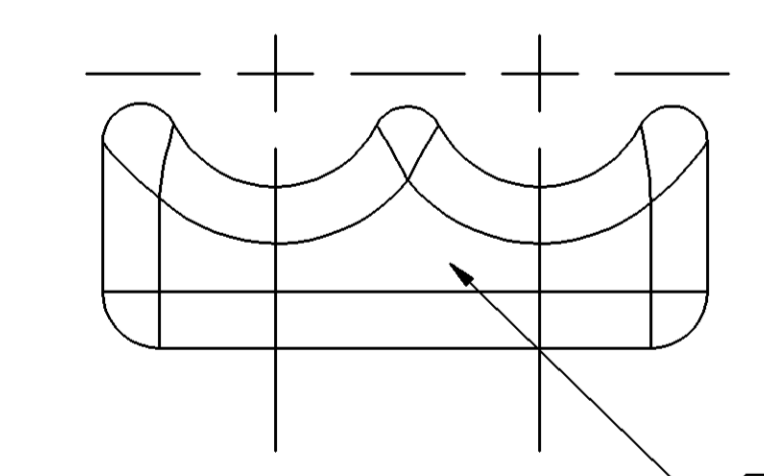


SYMBOL DEFINITION		MISSING NUMBERS		DWO STATUS				REVISION HISTORY				AUTH		DR		APVD	
A DIMENSION WITHOUT AN INSPECTION REPORT SYMBOL () DOES NOT REQUIRE INSPECTION. IT MAY BE CONTROLLED ON AN INDIVIDUAL COMPONENT DRAWING.		TOTAL NO. OF SYMBOLS ON DRAWING	LAST NO. USED	DATE	STG	REV	N/P	CHO	ZONE								
		17		16AP02	R	B5	-	-		MAT'L SPEC WAS R0071769 PA66 HS IM GRA LT, ADDED LABELS (3 PLCS) AND ADDED DIM (2 PLCS)				223935	RVP	RVP	GM
		45		12AU03	R	B6	-	-		UPDATED PDM ATTRIBUTES				244613	CMZ	CMZ	GM
				040C03	R	B7	-	-		UPDATED PDM ATTRIBUTES				246963	HAM	HAM	TM



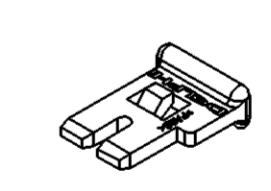
43) NO GATES PROTUSIONS OR SHARP EDGES ALLOWED ON THIS SURFACE.



OPTIONAL CONSTRUCTION

NOTES

- UNLESS OTHERWISE SPECIFIED AND/OR INDICATED: DIMENSIONS ARE TO FACE OF VIEW SHOWN AND AUTOMATICALLY ROUNDED BY COMPUTER FOR INSPECTION (SEE MATH MODEL FOR PRECISE DIMENSIONS). FOR ALL OTHER DIMENSIONS NOT SHOWN BUT REQUIRED FOR TOOL BUILD, SEE MATH MODEL FOR PRECISE TOOL PATH DATA.
- THIS PART IS NOT CONTROLLED FOR AUTOMATIC FEEDING.
- MATERIAL RECYCLING CODE >PA66< PER SAE J1344. (2.3)X(0.1) RAISED CHARACTERS AS SHOWN TO BE LOCATED ON ANY EXTERIOR SURFACE. OPTIONAL CONSTRUCTION TO BE NO MATERIAL RECYCLING CODE.
- MATING COMPONENTS OR EQUIVALENT: CONNECTOR 12047662, 12047785
- (2.3)X(0.1) RAISED DELPHI CORPORATE BRAND TO BE LOCATED ON ANY EXTERIOR SURFACE, PREFERABLY VISIBLE AT FINAL ASSEMBLY. OPTIONAL CONSTRUCTION TO BE "PED" OR NO LOGO.



R 0.1 MAX R 0.2 MAX SHARP CORNER TOLERANCE	FROM	TO	CHART	ET						
	0	20	30	70	100	150	200	250	300	400
	DIMENSIONAL RANGE (MM)									
	DIMENSIONS ENCLOSED IN () INDICATE REFERENCE DIMENSIONS AND NO TOLERANCE LIMITS ARE ESTABLISHED									
	UNLESS OTHERWISE SPECIFIED									
	THIS DOCUMENT IS IN ACCORDANCE WITH ASME Y14.5M-1994 AS MODIFIED BY THE DIMENSIONAL DIMENSIONING AND TOLERANCING ADDENDUM-2001. SEPARATE PATTERNING OF FEATURES MAY BE GIVEN SEPARATELY REGARDLESS OF DATUM REFERENCES.									
	ALL DIMENSIONS ARE IN MILLIMETERS									
	REFERENCE									
	THIRD ANGLE PROJECTION									
	DO NOT SCALE									
	USE MATH DATA									

DWO TYPE		PART DRAWING	
STYLE		DISTR CODE	D
VOLUME (10 ³)	0.085		
ROUTING	6900		
UNLESS OTHERWISE SPECIFIED			
THIS DOCUMENT IS IN ACCORDANCE WITH ASME Y14.5M-1994 AS MODIFIED BY THE DIMENSIONAL DIMENSIONING AND TOLERANCING ADDENDUM-2001. SEPARATE PATTERNING OF FEATURES MAY BE GIVEN SEPARATELY REGARDLESS OF DATUM REFERENCES.			
ALL DIMENSIONS ARE IN MILLIMETERS			
REFERENCE			

DELPHI
DELPHI PACKARD ELECTRIC SYSTEMS
WARREN, OH

DR	DATE
APVD1 H_GAMA	130C97
APVD2 G_MACIAS	170C97
APVD3 S_HEFFERNAN	03NO97
APVD4	
APVD5	

MATERIAL: M3592012 PA66 HS IM GRA LT
SUBSTANCES OF CONCERN AND RECYCLED CONTENT PER DELPHI 10949001

DRAWING NAME: LOCK TPA M/P 150 2 GRA LT
DRAWING NUMBER: 15324070

SIZE: A0
SCALE: 10:1
FRAME NO: 1 OF 1
SHEET NO: 1 OF 1
STG: R
REV: B7