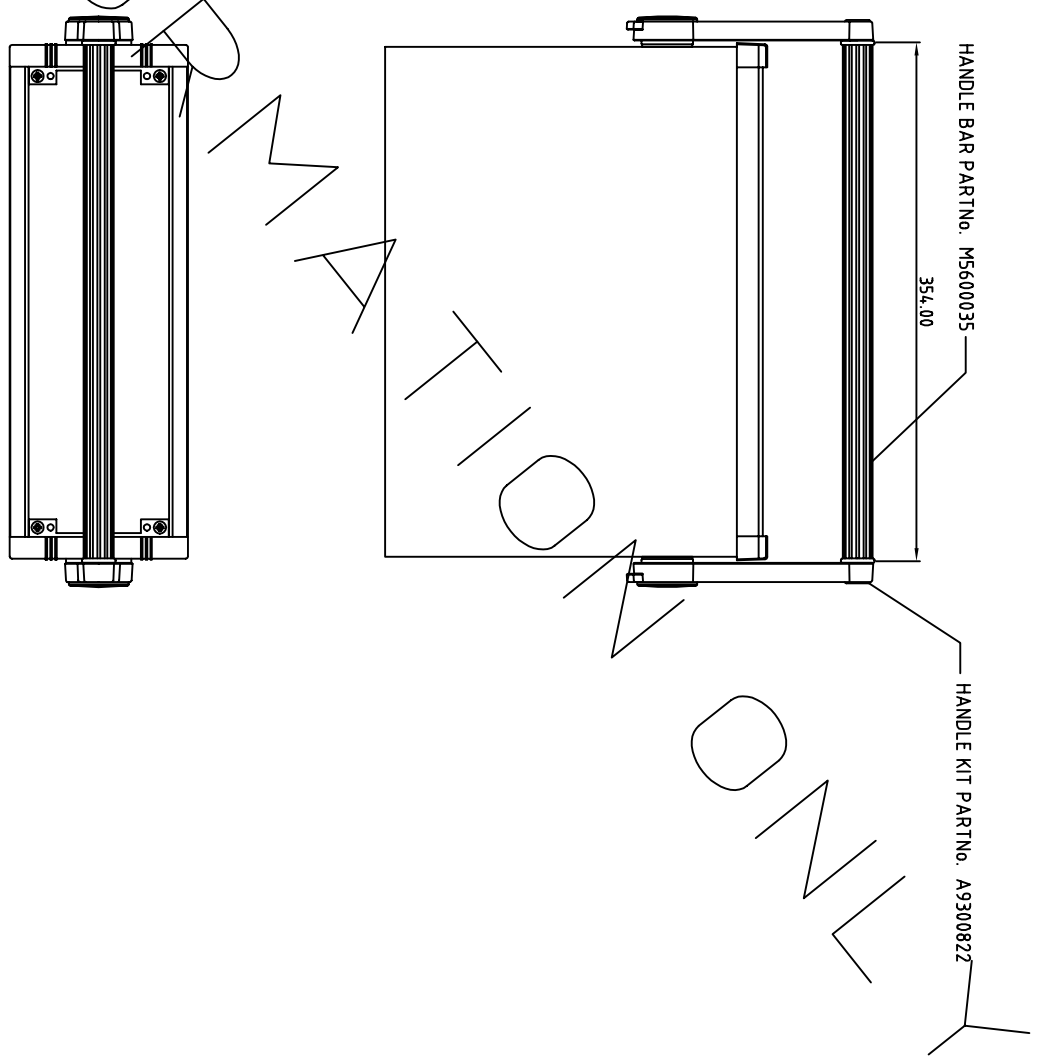
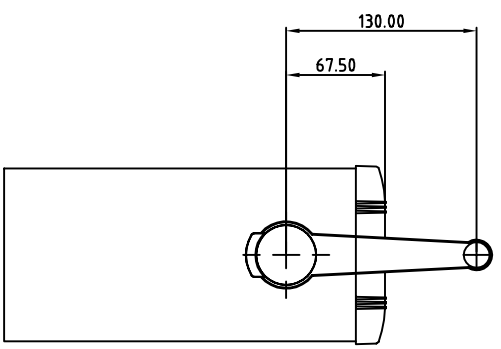


FIRST ANGLE PROJECTION



Note: Subject to technical modifications without prior notice.
Typographical and other errors do not justify any claim for damages.
All dimensions should be verified using the actual case.

Tolerances unless otherwise stated:

- General tolerances ±0.20
- Resultant tolerances between hole centers ±0.15
- Tolerances on hole diameters ±0.05
- Angles ± 0.5°
- Surface finish 3.2

Required Finish	Scale	ALL DIMENSIONS IN MILLIMETRES			DO NOT SCALE
	1:5	Drawn by:	Checked by:	Drawing Number	Material Spec.
		Mark Jeffery		Size/Handle/assy	
Part Name		Uninet Size 4, With Handle			
Part Number		Sheet 1 of 1			

OKW ENCLOSURES LTD DATE AS SHOWN THIS DRAWING CONTAINS PROPRIETARY INFORMATION OF OKW ENCLOSURES LTD AND IS TENDERED SUBJECT TO THE FOLLOWING CONDITIONS: THE INFORMATION IS RETAINED IN CONFIDENCE, NOT BE REPRODUCED OR COPIED, AND NOT BE USED OR INCORPORATED IN ANY PRODUCT, UNLESS PERMISSION IS OBTAINED IN WRITING FROM OKW ENCLOSURES LTD.

OKW

OKW

OKW

Modifications
1

lss

A4