

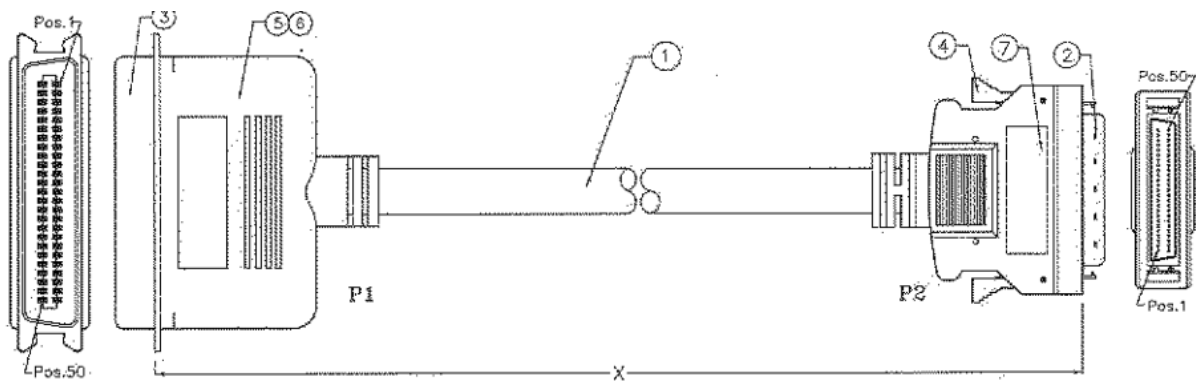
Datasheet

1m Male SCSI I to Male SCSI II SCSI Cable Assembly, Clip

RS Stock 182-3927



Dimensions: (mm)



Features:

- Shielding: 100% of Mylar Foil
- Current rating: 500mA max
- Working voltage: 30V/ DC max
- Temperature Rating: 80°C
- Contact Resistance: 15m ohm max
- Mating Cycles: 500