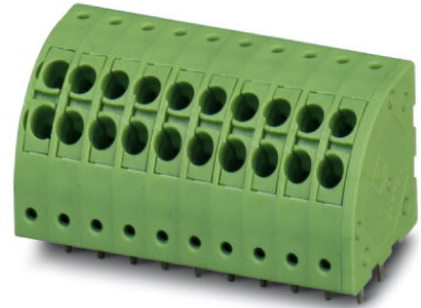


PTDA 1,5/ 4-3,5

Order No.: 1724938

The figure shows a 10-position version of the product

<http://eshop.phoenixcontact.co.uk/phoenix/treeViewClick.do?UID=1724938>

PC terminal block, Nominal current: 13.5 A, Nom. voltage: 200 V,
Pitch: 3.5 mm, Number of positions: 4, Type of connection: Spring-
cage conn., Assembly: Soldering, Conductor/PCB connection
direction: 45 °, Color: green

Commercial data

EAN	4046356128971
Pack	50
Customs tariff	85366990
Weight/Piece	4.87 g
Product key	E411
Catalog page information	Page 455 (CC-2009)

Product notes

WEEE/RoHS-compliant since:
21/02/2006



Please note that the data given here has been taken from the online catalog. For comprehensive information and data, please refer to the user documentation at <http://www.download.phoenixcontact.com>. The General Terms and Conditions of Use apply to Internet downloads.

Technical data

Dimensions / positions

Pitch	3.5 mm
Dimension a	10.5 mm
Number of positions	4
Pin dimensions	1,0 x 0,4

Pin spacing	3.5 mm
Hole diameter	1.3 mm

Technical data

Insulating material group	I
Rated surge voltage (III/3)	2.5 kV
Rated surge voltage (III/2)	2.5 kV
Rated surge voltage (II/2)	2.5 kV
Rated voltage (III/2)	240 V
Rated voltage (II/2)	400 V
Connection in acc. with standard	EN-VDE
Nominal current I_N	13.5 A
Nominal voltage U_N	200 V
Nominal cross section	1.5 mm ²
Maximum load current	13.5 A
Insulating material	PA
Inflammability class acc. to UL 94	V0
Stripping length	10 mm

Connection data

Conductor cross section solid min.	0.2 mm ²
Conductor cross section solid max.	1.5 mm ²
Conductor cross section stranded min.	0.2 mm ²
Conductor cross section stranded max.	1.5 mm ²
Conductor cross section stranded, with ferrule without plastic sleeve min.	0.5 mm ²
Conductor cross section stranded, with ferrule without plastic sleeve max.	1.5 mm ²
Conductor cross section stranded, with ferrule with plastic sleeve min.	0.5 mm ²
Conductor cross section stranded, with ferrule with plastic sleeve max.	0.5 mm ²
Conductor cross section AWG/kcmil min.	24
Conductor cross section AWG/kcmil max	16
2 conductors with same cross section, solid min.	0.2 mm ²
2 conductors with same cross section, solid max.	1.5 mm ²
2 conductors with same cross section, stranded min.	0.2 mm ²

2 conductors with same cross section, stranded max.	1.5 mm ²
2 conductors with same cross section, stranded, ferrules without plastic sleeve, min.	0.5 mm ²
2 conductors with same cross section, stranded, ferrules without plastic sleeve, max.	1.5 mm ²
2 conductors with same cross section, stranded, TWIN ferrules with plastic sleeve, min.	0.5 mm ²
2 conductors with same cross section, stranded, TWIN ferrules with plastic sleeve, max.	0.5 mm ²

Certificates



Certification CUL, UL

CUL

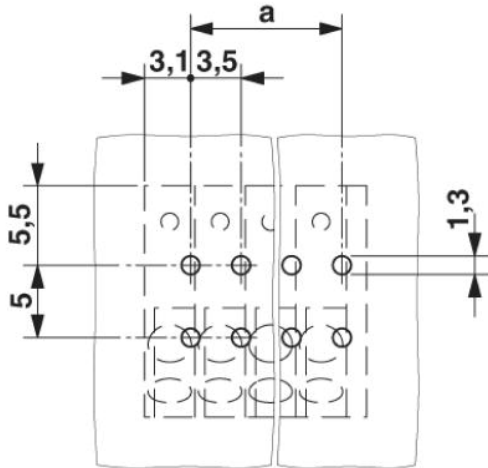
Nominal voltage U_N	300 V
Nominal current I_N	12 A
AWG/kcmil	24-16

UL

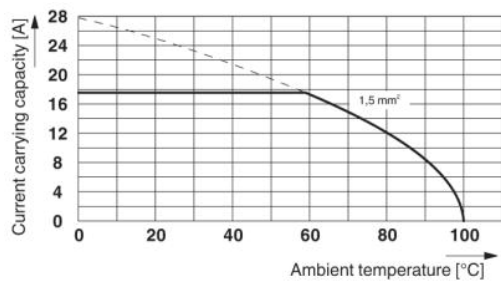
Nominal voltage U_N	300 V
Nominal current I_N	12 A
AWG/kcmil	24-16

Drawings

Drilling diagram

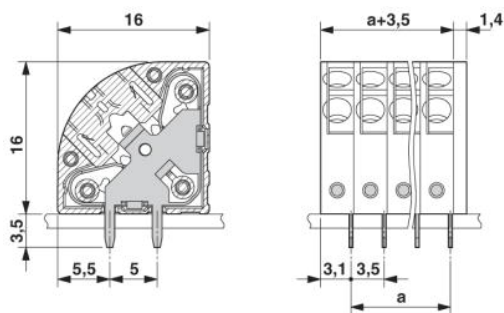


Diagram



Derating-Diagramm für Polzahl 5; Reduktionsfaktor=0,8

Dimensioned drawing



Address

PHOENIX CONTACT Ltd
Halesfield 13
Telford / Shropshire / TF7 4PG,England
Phone 01952 681 700
Fax 01952 681 799
<http://www.phoenixcontact.co.uk>



Phoenix Contact Ltd.
Technical modifications reserved;