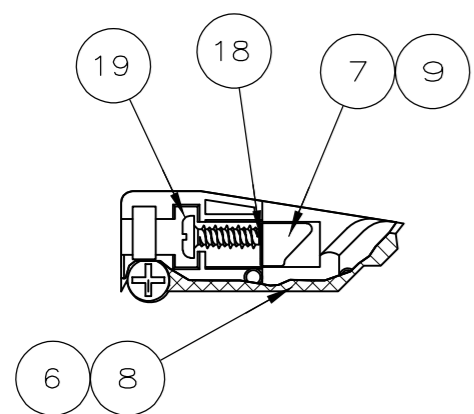
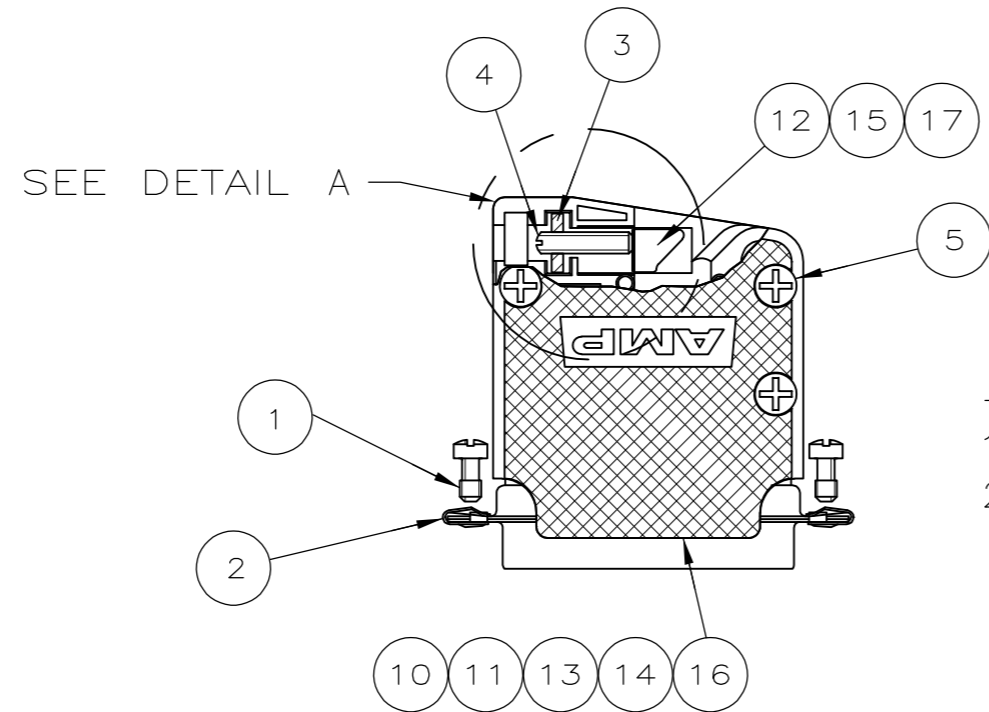


THIS DRAWING IS UNPUBLISHED. RELEASED FOR PUBLICATION
 © COPYRIGHT 2006 By - ALL RIGHTS RESERVED.

LOC	DIST	REVISIONS			
P	LTR	DESCRIPTION	DATE	DWN	APVD
GP	00	A1	REVISED PER ECO-11-004835	11MAR11	RK HMR



DETAIL A
FOR -1 & 2 ONLY



-3, -4, -5,
1--1, 1--2,
2--2 & 2--6

- 1 PARTS PACKAGED UNASSEMBLED.
- ② STAINLESS STEEL.
- ③ ZINC PLATED YELLOW CHROMATE COATING.
- ④ STEEL.
- ⑤ ZINC PLATED CLEAR CHROMATE COATING.
- ⑥ BRASS.
- ⑦ BLACK ZINC PHOSPHATE.
- ⑧ OBSOLETE.

CONTENTS BULK PACKAGED BY ITEM											
CONTENTS PACKAGED ONE KIT PER POLY BAG											
-	-	-	-	-	-	-	-	-	-	GATE SCREW ④ ⑦	19
-	-	-	-	-	-	-	-	-	-	SHIM ⑥	18
-	-	-	-	1	-	-	-	-	-	SIZE 5 GATE	17
-	-	-	-	1	-	-	-	-	-	SIZE 5 HOUSING	16
-	-	-	-	1	-	-	-	-	-	SIZE 4 GATE	15
-	-	-	-	1	-	-	-	-	-	SIZE 4 HOUSING	14
1	-	1	-	-	-	-	-	-	-	SIZE 3 SHORT HOUSING	13
1	1	1	-	-	-	1	-	-	-	SIZE 3 GATE	12
-	1	-	-	-	-	1	-	-	-	SIZE 3 HOUSING	11
-	-	-	1	-	-	-	-	-	-	SIZE 2 SHORT HOUSING	10
-	-	-	1	-	-	-	1	-	-	SIZE 2 GATE	9
-	-	-	-	-	-	-	1	-	-	SIZE 2 HOUSING	8
-	-	-	-	-	-	-	-	1	-	SIZE 1 GATE	7
-	-	-	-	-	-	-	-	1	-	SIZE 1 HOUSING	6
2	3	2	3	3	3	3	2	1	-	PH HD #5-21 HI-LO SCREW ④ ⑤	5
1	1	1	-	1	1	1	-	-	-	SLOTTED SET SCREW ④ ⑤	4
1	1	1	-	1	1	1	-	-	-	SQUARE NUT ④	3
2	2	2	2	2	2	2	2	2	-	CLIP ②	2
2	2	2	2	2	2	2	2	2	-	RETAINING SCREW ③ ④	1
2-6	2-2	1-2	1-1	-5	-4	-3	-2	-1		DESCRIPTION	ITEM NO

THIS DRAWING IS A CONTROLLED DOCUMENT.

DWN	12SEPT05	R.RICHARDSON
CHK	12SEPT05	C.ROHDE
APVD	12SEPT05	M.WALMSLEY
PRODUCT SPEC		
APPLICATION SPEC		
WEIGHT	-	
CUSTOMER DRAWING		

STE TE Connectivity

STRAIN RELIEF KIT, 45 /180
AMPLIMITE HD-20

SIZE: A2 CAGE CODE: 00779 DRAWING NO: C=5206478 RESTRICTED TO: -

SCALE: 2:1 SHEET: 1 of 1 REV: A1