

**8 digit LCD self powered
totalising counters with
reset in 24 x 48 DIN
standard case**



7110DIN/7110DINAS

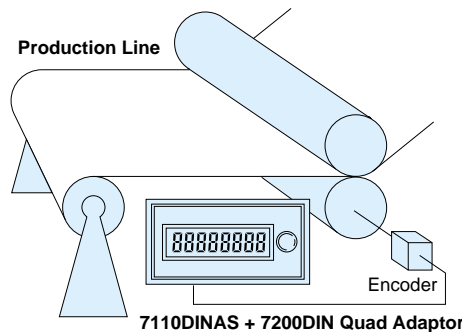
Powered by their own integral lithium batteries these totalising counters have a front panel reset pushbutton which can be enabled or disabled by a wiring connection or external contact closure.

- Use of the latest CMOS circuitry achieves an expected battery life of 10 years.
- 7mm black character high contrast LCD display.
- Counting up to 10kHz.
- Quadrature signal compatible using 7200DIN QUAD plug-in adaptor. This permits add / subtract counting in step with forward/reverse motion without count loss or gaining spurious counts (7110DINAS model).
- Optional triggering from any voltage between 5 and 240VAC or DC using the 7210 DIN adaptor (7110 DIN model).
- Contact closure/open collector low speed count input with integral de-bounce circuitry (7110DIN model).
- Choice of mounting available, front panel with supplied bezel or rear mounting clip.
- Front panel can be sealed to IP65.
- UL and cUL approved.

Typical Application

External connections are made by a standard plug-on connector with colour coded 24cm flying leads (supplied). Alternatively, terminal block connection is available using the 7200DIN adaptor. Supplied complete with installation instructions.

- *Replacement for electro-mechanical counters
- *Applications where external power is not readily available
- *Position, length, rotation and distance measuring applications
- *Event counting



7200DIN ADAPTOR

The 7200DIN adaptor provides screw terminal connections for conductors up to 2.5mm². The adaptor snaps on to the rear of the device. The terminals are finger proof and are easily accessible when using test probes.

7210DIN ADAPTOR

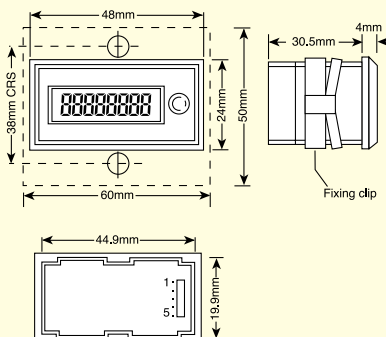
This is a plug-in adaptor for use with the 7110 DIN. This input adaptor module permits the use of high voltage input pulses from 5-240VAC or DC. Opto-isolation provides input to output isolation of 5000V. The adaptor plugs into the rear of the counter and is retained by integral clips. Connection is by screw terminals for conductors up to 2.5mm².

7200DIN QUAD ADAPTOR

This is a plug-in adaptor for the 7110DINAS add/subtract counter. It converts the signal from a quadrature output sensor such as a shaft encoder into count and direction signals. The adaptor retains direct access to the external reset on the 7110DINAS. Connection is by screw terminals for conductors up to 2.5mm².

Dimensions

48mm(W) x 24mm(H) x 34.5mm(D)
Panel cutout 45mm x 22.5mm +0.5 -0.0mm
Maximum panel thickness 7.5mm



Specification

Supply Voltage
Internal lithium battery, exp. life 10 years (calculated at 20°C)

Display 8 digit black LCD, 7mm characters with leading zero blanking

Count Range 99999999 display rollover to 0

Manual Reset Enable (PIN 2)
Link to COMMON (PIN 1) to enable front panel reset pushbutton

External Reset (PIN 3)
Contact closure/open collector, negative edge triggered, 0.7V threshold, 15mS minimum closure time

Direction Input (7110DIN AS model) (PIN 4)
Connection or electronic input TTL/CMOS Compatible. Add=no connection or >2.4V (logic 1); Subtract=connect to COMMON or <0.7V (logic 0). Direction input must precede count input by 5µS (minimum) for valid operation

Low Speed Count Input (7110DIN model) (PIN 4)
Contact closure/open collector with integral de-bounce circuitry, 30Hz maximum, negative edge triggered, 0.7V threshold, 15mS minimum closure time

High Speed Count Input (PIN 5)
Electronic input 10kHz maximum, negative edge triggered, 0.7V threshold 50µS minimum pulse length, TTL/CMOS Compatible

Operating Temp.

-10°C to +60°C

Storage Temp.

-20°C to +60°C

Environmental Protection

IP65/NEMA4 using gasket supplied

Mounting

Either with clip mount supplied or two front screws with bezel supplied

WARNING: THIS PRODUCT CONTAINS A LITHIUM BATTERY AND MUST NOT BE CUT OPEN, DISPOSED OF IN A FIRE OR EXPOSED TO TEMPERATURES OUTSIDE THE RANGE -20°C TO +60°C.

Ordering Information

Order by type numbers of counter and adaptors:

7110DIN	Uni-directional, count up
7110DINAS	Bi-directional, (Add/Subtract)
7200DIN	Terminal block adaptor
7210DIN	High voltage pulse adaptor (7110 DIN)
7200QUAD DIN	Quadrature adaptor for use with 7110DINAS