

# Product Information



## TOP160x50-Ø20

EAN 4031582322705

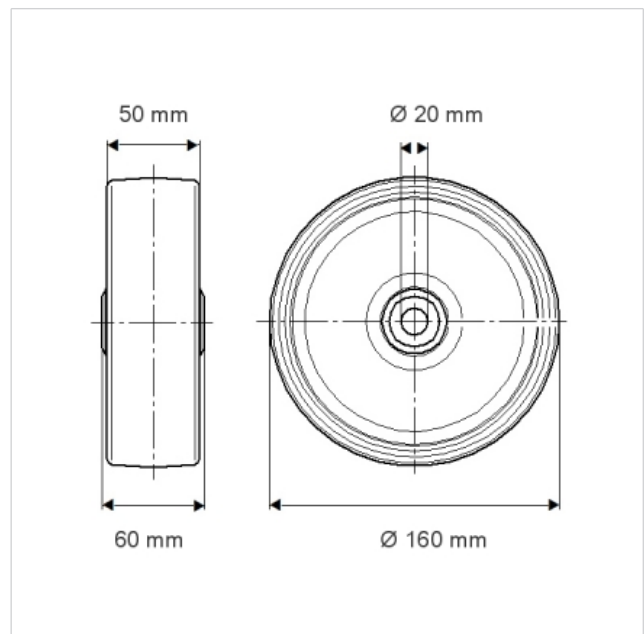
Wheel centre made of Polyamide, heavy duty,  
precision ball bearing

### Technical Data

Wheel diameter	160 mm
Width of Tread	50 mm
Axle Hole-Ø	20 mm
Hub length	60 mm
Temperature	- 40 / + 80 °C
Standard	EN 12533
Weight	1.098 kg
Hardness of tread	D 75 Shore
Bearing type	6204 No.
Load capacity	850 kg
Load capacity (static)	1700 kg



Roll performance	+	+	+	+	+
Movement noise	+	+	+	+	+
Attrition	+	+	+	+	+
Corrosion resistance	+	+	+	+	+





**TOP160x50-Ø20**

EAN 4031582322705

