



**AMPLIVAR**

TE Internal #: 1742898-1

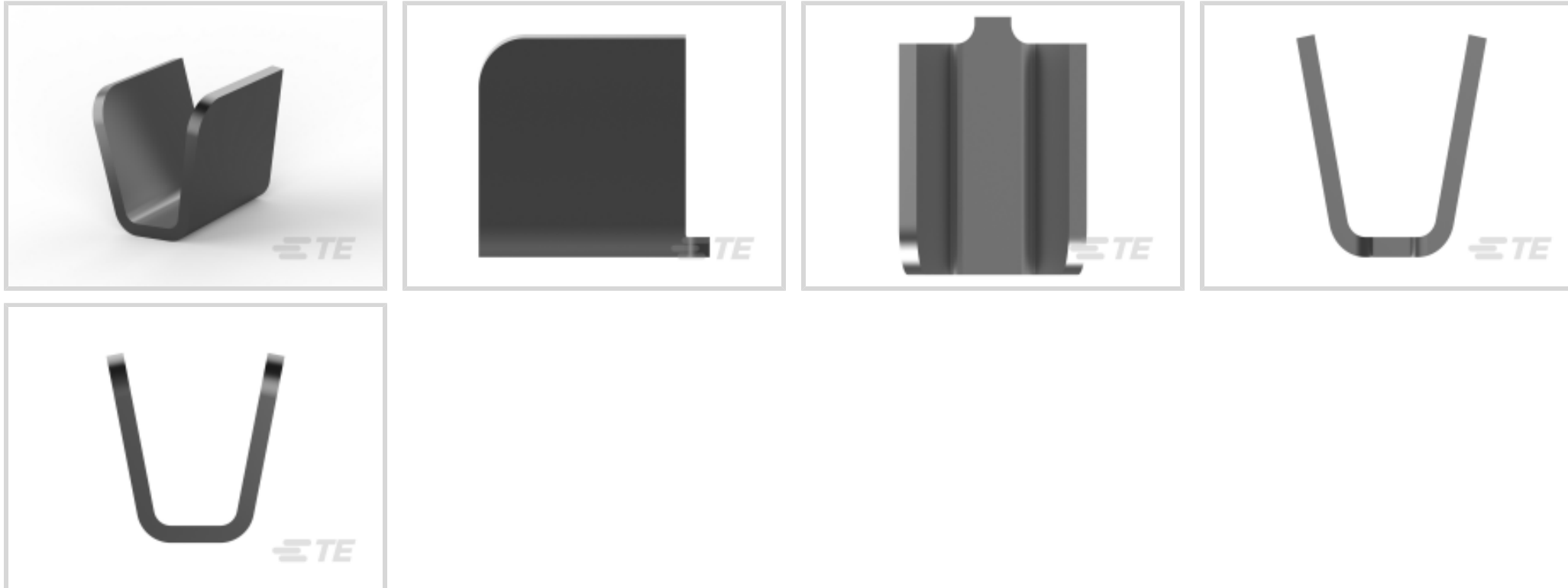
Pigtail Splice, 9 – 6.5 AWG, 4.8 – 9.45 mm<sup>2</sup> Wire, 14000 – 22000

CMA, Uninsulated, 3 Splice Capacity, Serrated, Brass, 9 Serration,

AMPLIVAR

[View on TE.com >](#)

Terminals & Splices > Splices



Splice Type: **Pigtail Splice**

Wire Size: **4.8 – 9.45 mm<sup>2</sup>**

Sealable: **No**

Splice Capacity: **3**

**Features**

**Product Type Features**

Splice Type	Pigtail Splice
Sealable	No
Compatible With Discrete Wire Type	Magnet Wire, Solid

**Configuration Features**

Strip Orientation	End Feed
Splice Capacity	3
Number of Serrations	9

**Electrical Characteristics**

Operating Voltage	250 V
-------------------	-------

**Body Features**

Product Weight	.761 g
Splice Features	Serrated

**Contact Features**

Terminal Plating Material	Tin
---------------------------	-----



Contact Base Material	Brass
-----------------------	-------

Barrel Type	Open
-------------	------

### Termination Features

Termination Method to Wire & Cable	Crimp
------------------------------------	-------

Crimp Width	6.35 mm, 6.85 mm [.25 in] [.27 in]
-------------	------------------------------------

### Mechanical Attachment

Wire Insulation Support	Without
-------------------------	---------

### Dimensions

Product Width	6.35 mm [.25 in]
---------------	------------------

Wire Size	14000 – 22000 CMA
-----------	-------------------

Compatible Insulation Diameter Range	3 – 3.47 mm [.118 – .137 in]
--------------------------------------	------------------------------

Terminal Material Thickness	.76 mm [.03 in]
-----------------------------	-----------------

Product Length	8.64 mm [.34 in]
----------------	------------------

### Usage Conditions

Insulation Option	Uninsulated
-------------------	-------------

Operating Temperature Range	-65 – 150 °C [-85 – 302 °F]
-----------------------------	-----------------------------

### Operation/Application

Compatible With Wire Base Material	Aluminum, Copper
------------------------------------	------------------

### Industry Standards

Government Qualified Splice	No
-----------------------------	----

### Packaging Features

Packaging Quantity	12000
--------------------	-------

Packaging Method	Strip
------------------	-------

### Product Compliance

[For compliance documentation, visit the product page on TE.com>](#)

EU RoHS Directive 2011/65/EU	Compliant
------------------------------	-----------

EU ELV Directive 2000/53/EC	Compliant
-----------------------------	-----------

China RoHS 2 Directive MIIT Order No 32, 2016	No Restricted Materials Above Threshold
---	---

EU REACH Regulation (EC) No. 1907/2006	Current ECHA Candidate List: JUNE 2025 (250) Candidate List Declared Against: JUNE 2025 (250)
--	--



Does not contain REACH SVHC

Halogen Content

Low Halogen - Br, Cl, F < 900 ppm per homogenous material. Also BFR/CFR/PVC Free

Solder Process Capability

Not applicable for solder process capability

Product Compliance Disclaimer

This information is provided based on reasonable inquiry of our suppliers and represents our current actual knowledge based on the information they provided. This information is subject to change. The part numbers that TE has identified as EU RoHS compliant have a maximum concentration of 0.1% by weight in homogenous materials for lead, hexavalent chromium, mercury, PBB, PBDE, DBP, BBP, DEHP, DIBP, and 0.01% for cadmium, or qualify for an exemption to these limits as defined in the Annexes of Directive 2011/65/EU (RoHS2). Finished electrical and electronic equipment products will be CE marked as required by Directive 2011/65/EU. Components may not be CE marked. Additionally, the part numbers that TE has identified as EU ELV compliant have a maximum concentration of 0.1% by weight in homogenous materials for lead, hexavalent chromium, and mercury, and 0.01% for cadmium, or qualify for an exemption to these limits as defined in the Annexes of Directive 2000/53/EC (ELV). Regarding the REACH Regulation, the information TE provides on SVHC in articles for this part number is based on the latest European Chemicals Agency (ECHA) 'Guidance on requirements for substances in articles' posted at this URL: <https://echa.europa.eu/guidance-documents/guidance-on-reach>

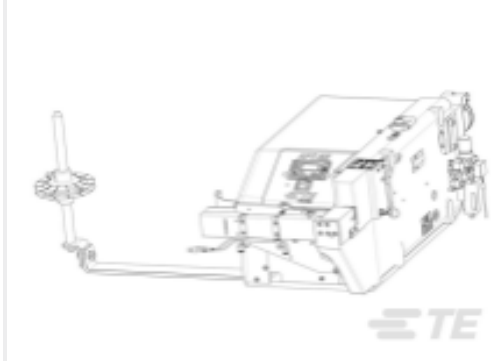
### Compatible Parts



TE Part # 1-2217600-8  
APT-5A HF



TE Part # 63562-1  
SPLICE 10400-22900 030TPBR



TE Part # 1-2217700-7  
APT 5E HF



TE Part # 1742324-2  
AMVAR STAKE SPLICE 020TPBR



TE Part # 737060-1  
AMPLIVAR SPL 5 SERR W/INS SUP



TE Part # 737060-2  
AMPLIVAR SPL 5 SERR W/INS SUP



TE Part # 1-2217600-7  
APT-5A HF

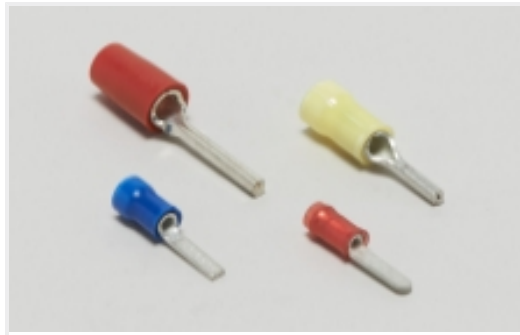


TE Part # 1-2217700-8  
APT 5E HF

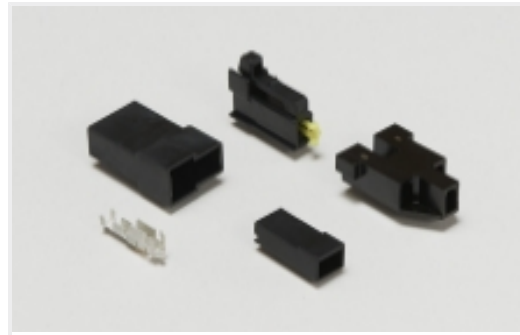


TE Part # 1742348-1  
9 Serr AMPLIVAR Spade

## Also in the Series | AMPLIVAR



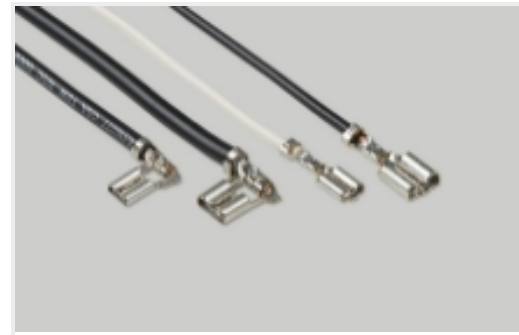
Crimp Wire Pins, Tabs & Ferrules(4)



Magnet Wire Terminals(4)



PCB Terminals(1)



Quick Disconnects(40)

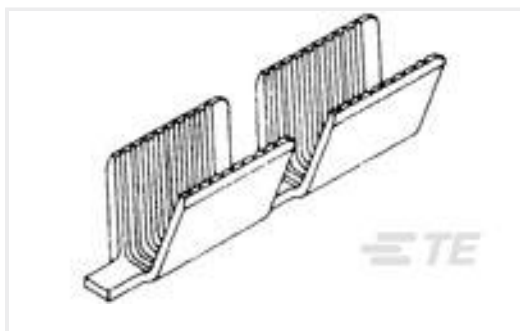


Ring Terminals(28)

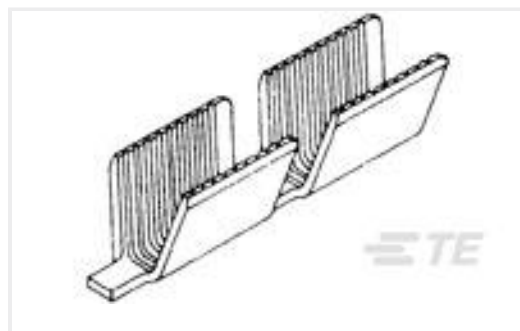


Splices(71)

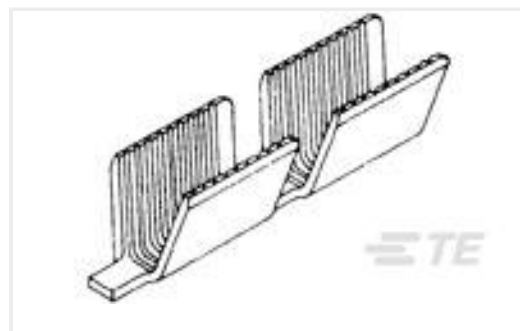
## Customers Also Bought



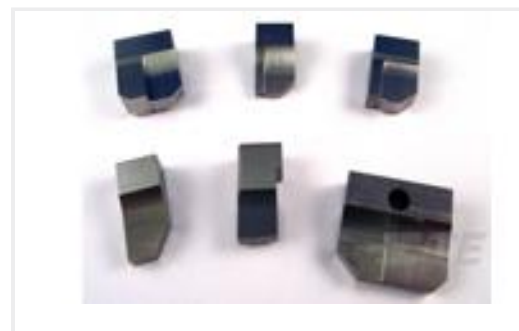
TE Part #62308-2  
AMVAR SPLC 3000-7000 020TPBR



TE Part #62309-2  
AMVAR SPLC 5000-10000 025TPBR



TE Part #62310-2  
AMVAR SPLC 7000-13000 025TPBR



TE Part #2-459866-4  
ANVIL, COMB. AMPLIVAR



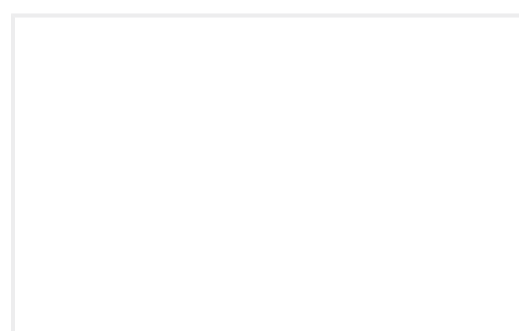
TE Part #690474-3  
SHEAR, BLADE



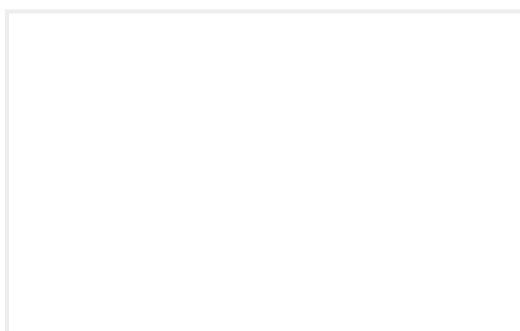
TE Part #1969109-1  
ULTRA-POD 250 ASSY REC 18-14  
AWG BR



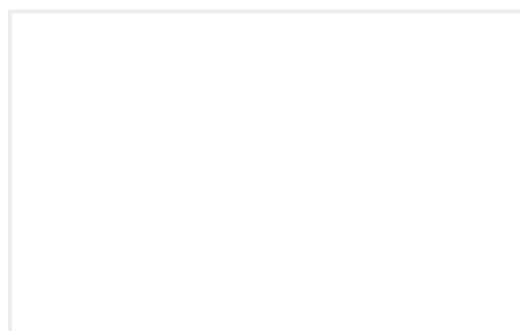
TE Part #2238207-3  
187 FASTON, REC., 20-16 AWG, TPBR



TE Part #354004-4  
INSERT, ANVIL



TE Part #2030402-1  
SENSOR, PROXIMITY, MAGNETIC  
RESISTIVE



TE Part #2217411-1  
CRIMPER, BLUNT F APT



## Documents

### Product Drawings

[AMVAR SPLC 10M-22M 0295 TPBR](#)

English

---

### CAD Files

[3D PDF](#)

3D

Customer View Model

[ENG\\_CVM\\_CVM\\_1742898-1\\_C\\_c-1742898-1-c.2d\\_dxf.zip](#)

English

Customer View Model

[ENG\\_CVM\\_CVM\\_1742898-1\\_C\\_c-1742898-1-c.3d\\_igs.zip](#)

English

Customer View Model

[ENG\\_CVM\\_CVM\\_1742898-1\\_C\\_c-1742898-1-c.3d\\_stp.zip](#)

English

By downloading the CAD file I accept and agree to the [Terms and Conditions](#) of use.

---

### Product Specifications

[Application Specification](#)

English