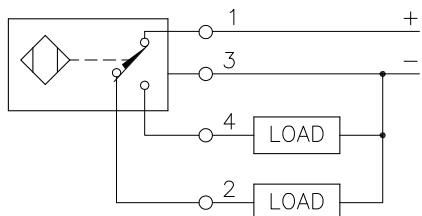


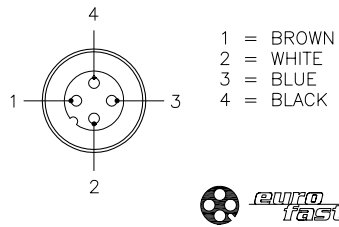
WIRING DIAGRAM



OUTPUT: VP4X2

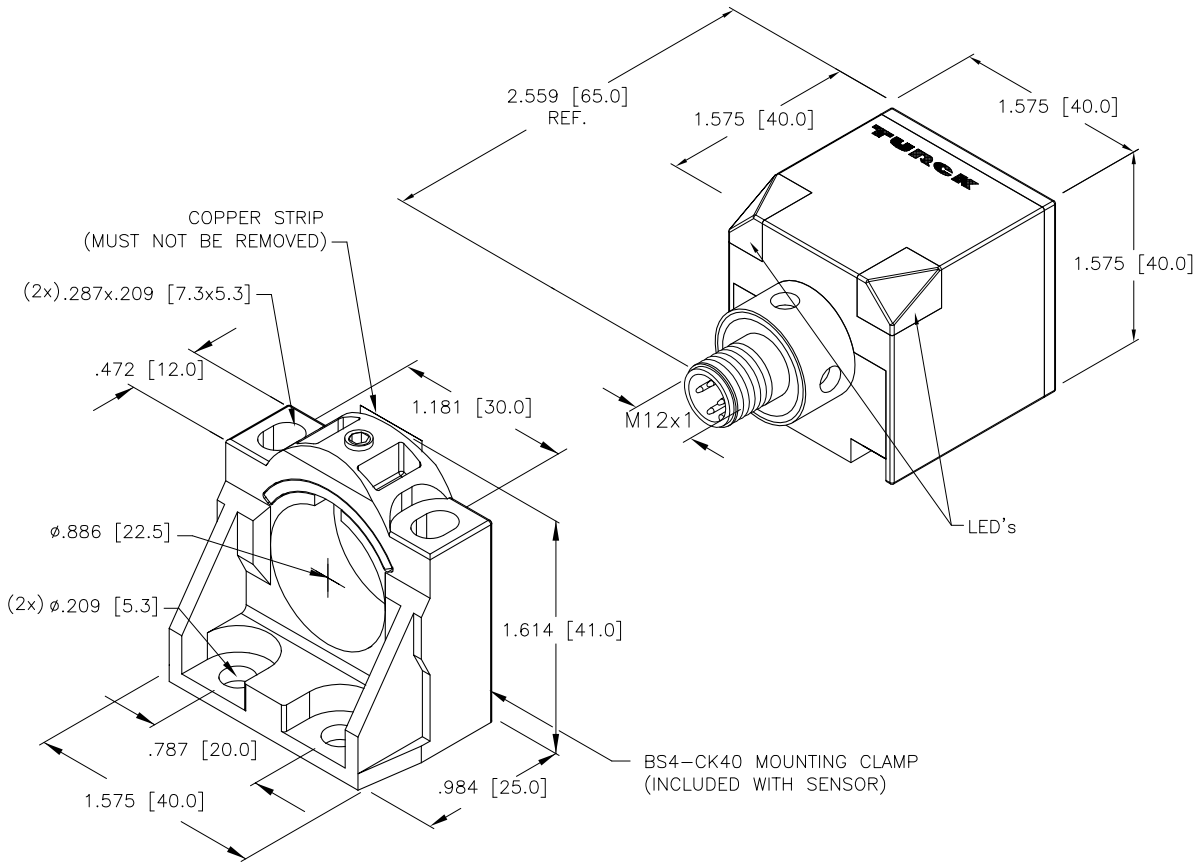
SHORT-CIRCUIT AND OVERLOAD PROTECTED

MALE END VIEW



SPECIFICATIONS

RATED OPERATING DISTANCE	50 mm = 1.969" (NOMINAL)
MOUNTING MODE	NON-FLUSH, PARTIALLY FLUSH MOUNTABLE
HYSTERESIS	3-15%
MIN. REPEAT ACCURACY	≤ 2%
TEMPERATURE DRIFT	≤ ±10% ≤ ±15%, ≤ -25°C v ≥ +70°C
OPERATING TEMPERATURE	-30°C to +85°C (-22°F to +185°F)
RATED OPERATIONAL VOLTAGE	10-65 VDC
RIPPLE	≤ 10%
RATED OPERATIONAL CURRENT	≤ 200 mA
NO-LOAD CURRENT	≤ 15 mA
MAX. OFF-STATE CURRENT	≤ 0.1 mA
MAX. SWITCHING FREQUENCY	≤ 0.25 kHz
RATED INSULATION VOLTAGE	≤ 0.5 kV
OUTPUT FUNCTION	4-WIRE, COMPLIMENTARY, PNP
SHORT-CIRCUIT PROTECTED	YES
MAX. VOLTAGE DROP	≤ 1.8 V
REVERSE POLARITY PROTECTION	INCORPORATED
WIRE-BREAK PROTECTION	INCORPORATED
HOUSING MATERIAL	PLASTIC, PBT-GF30-VO
ACTIVE FACE	PLASTIC, PA6-GF30
VIBRATION	55 Hz, 1 mm AMPLITUDE (IN ALL 3 PLANES)
SHOCK	30 g, 11 ms
PROTECTION	IP68
SUPPLY VOLTAGE INDICATION	LED - GREEN
SWITCHING STATUS INDICATION	LED - YELLOW



NOTES:

1. SENSING HEAD CAN ROTATE TO 5 DIFFERENT SENSING POSITIONS.
2. UPROX HAS WELD FIELD IMMUNITY, SENSOR IS SUITABLE FOR USE ON RESISTANCE MACHINES.

RELATED DOCUMENTS	3RD ANGLE PROJECTION	THIS DRAWING IS PROPERTY OF TURCK INC. USE OF THIS DOCUMENT WITHOUT WRITTEN PERMISSION IS PROHIBITED.		<b>TURCK INC</b> High Technology Sensors and Automation Controls 3000 CAMPUS DRIVE MINNEAPOLIS, MN 55441 1-800-544-7769 (763) 553-7300 (763) 553-0708 fax turck.com	
1.		DRFT	RDS	DATE	07/06/04
2.		DSGN	-	SCALE	NONE
3.	ALL DIMENSIONS DISPLAYED ON THIS DRAWING ARE FOR REFERENCE ONLY  CONTACT TURCK FOR MORE INFORMATION	UNIT OF MEASUREMENT			DESCRIPTION
4.		<b>INCH [ MILLIMETER ]</b>			NI50U-CK40-VP4X2-H1141 W/BS 4
MATERIAL	PBT-GF30-VO PLASTIC	IDENTIFICATION NO.			REV
FINISH		M1538302			B
DO NOT SCALE THIS DRAWING		FILE: M1538302		SHEET 1 OF 1	

B	UPDATE LED LOCATION ON SENSOR	RDS	10/15/07	19163
REV	DESCRIPTION	BY	DATE	ECO NO.