



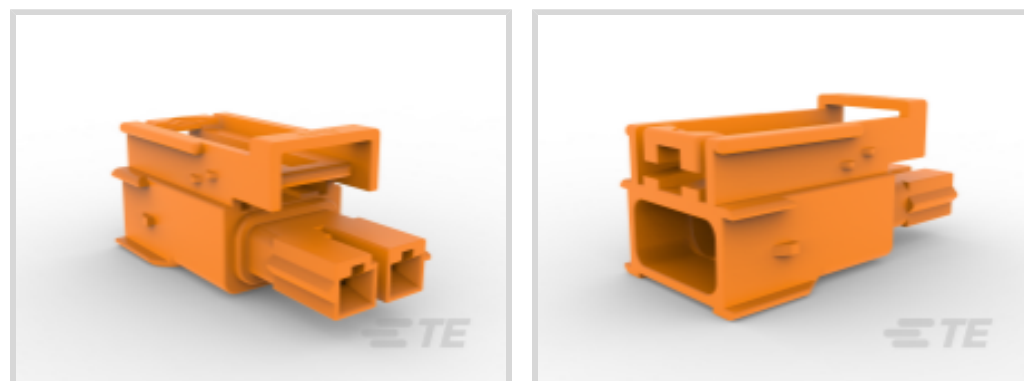
Power Versa-Lock | Power Versa-Lock 5.0

TE Internal #: 5-2378159-2

2 Position, Plug, Housing, Crimp, Wire-to-Wire, UL 94V-0, 5 mm [.197 in] Centerline, 1 Row, 600 VAC, Sealable, Wire & Cable, Power Versa-Lock 5.0

[View on TE.com >](#)

Connectors > Rectangular Connectors > Standard Rectangular Connectors



Connector Product Type: **Housing**

Connector & Housing Type: **Plug**

Termination Method to Wire & Cable: **Crimp**

Connector System: **Wire-to-Wire**

Contact Retention Within Housing: **Without**

Features

Product Type Features

| | |
|-----------------------------------|----------------|
| Connector Seal & Plug Type | Interface Seal |
| Connector Product Type | Housing |
| Connector & Housing Type | Plug |
| Connector System | Wire-to-Wire |
| Sealable | Yes |
| Connector & Contact Terminates To | Wire & Cable |

Configuration Features

| | |
|---------------------------|---|
| Number of Columns | 2 |
| Number of Positions | 2 |
| Number of Rows | 1 |
| Number of Power Positions | 2 |

Electrical Characteristics

| | |
|-------------------|---------|
| Operating Voltage | 600 VDC |
|-------------------|---------|

Body Features

| | |
|-------------------------|--------|
| Connector & Keying Code | E |
| Primary Product Color | Orange |
| Cable Exit Angle | 180 ° |



Contact Features

| | |
|----------------------------------|------------|
| Contact Layout | Inline |
| Contact Retention Within Housing | Without |
| Contact Type | Receptacle |

Termination Features

| | |
|------------------------------------|-------|
| Termination Method to Wire & Cable | Crimp |
|------------------------------------|-------|

Housing Features

| | |
|--------------------|----------------|
| Centerline (Pitch) | 5 mm [.197 in] |
| Housing Material | PBT GF |

Usage Conditions

| | |
|-----------------------------|-----------------------------|
| Operating Temperature Range | -30 – 140 °C [-22 – 284 °F] |
|-----------------------------|-----------------------------|

Operation/Application

| | |
|---------------------|-------|
| Circuit Application | Power |
|---------------------|-------|

Identification Marking

| | |
|--------------------------------|------|
| Circuit Identification Feature | With |
|--------------------------------|------|

Industry Standards

| | |
|---|-------------------------------|
| Compatible With Agency/Standards Products | UL |
| Compatible With Approved Standards Products | UL E28476 |
| UL Flammability Rating | UL 94V-0 |
| Glow Wire Rating | Standard Part - Not Glow Wire |

Packaging Features

| | |
|------------------|--------|
| Packaging Method | Carton |
|------------------|--------|

Product Compliance

[For compliance documentation, visit the product page on TE.com>](#)

| | |
|---|---|
| EU RoHS Directive 2011/65/EU | Compliant |
| EU ELV Directive 2000/53/EC | Compliant |
| China RoHS 2 Directive MIIT Order No 32, 2016 | 有害物质含量符合标准要求 No Restricted Substance(s) Above Threshold |
| EU REACH Regulation (EC) No. 1907/2006 | Current ECHA Candidate List: JUNE 2025 (250) Candidate List Declared Against: JUNE 2025 (250) Does not contain REACH SVHC |



| | |
|-----------------|--|
| Halogen Content | Not Low Halogen - contains Br or Cl > 900 ppm. |
|-----------------|--|

| | |
|---------------------------|--|
| Solder Process Capability | Not reviewed for solder process capability |
|---------------------------|--|

Product Compliance Disclaimer

This information is provided based on reasonable inquiry of our suppliers and represents our current actual knowledge based on the information they provided. This information is subject to change. The part numbers that TE has identified as EU RoHS compliant have a maximum concentration of 0.1% by weight in homogenous materials for lead, hexavalent chromium, mercury, PBB, PBDE, DBP, BBP, DEHP, DIBP, and 0.01% for cadmium, or qualify for an exemption to these limits as defined in the Annexes of Directive 2011/65/EU (RoHS2). Finished electrical and electronic equipment products will be CE marked as required by Directive 2011/65/EU. Components may not be CE marked. Additionally, the part numbers that TE has identified as EU ELV compliant have a maximum concentration of 0.1% by weight in homogenous materials for lead, hexavalent chromium, and mercury, and 0.01% for cadmium, or qualify for an exemption to these limits as defined in the Annexes of Directive 2000/53/EC (ELV). Regarding the REACH Regulation, the information TE provides on SVHC in articles for this part number is based on the latest European Chemicals Agency (ECHA) 'Guidance on requirements for substances in articles' posted at this URL: <https://echa.europa.eu/guidance-documents/guidance-on-reach>


Compatible Parts



TE Part # 2329915-1
Power Versa-Lock RECPT, 22-26 AWG



TE Part # 2329916-1
Power Versa-Lock SEAL RECPT, 14-16 AWG



TE Part # 2325349-2
Power Versa-Lock REAR SEAL, 1X2, LargeID



TE Part # 2329912-1
Power Versa-Lock RECPT, 18-20, 2X22 AWG




TE Part # 2329914-1
Power Versa-Lock SEAL RECPT, 18-20 AWG



TE Part # 5-2378158-2
Power Versa-Lock CAP, 1X2 KEY E



TE Part # 3-2325349-2
PWR VERSA-LOCK REAR SEAL, 1X2, 1.5-2.4

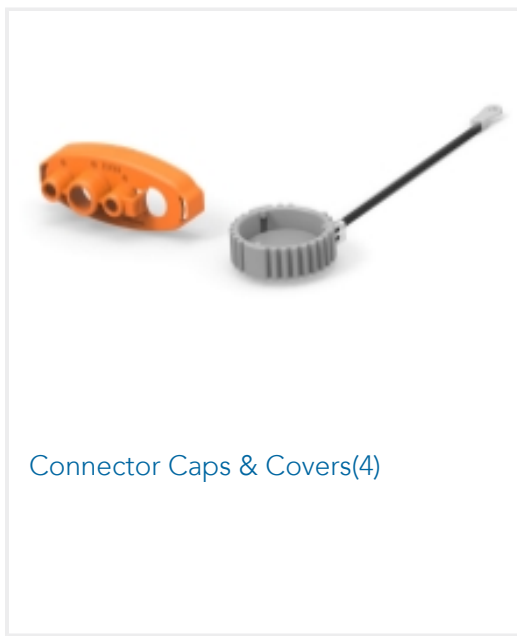


TE Part # 2325347-2
Power Versa-Lock INTERFACE SEAL, 1X2

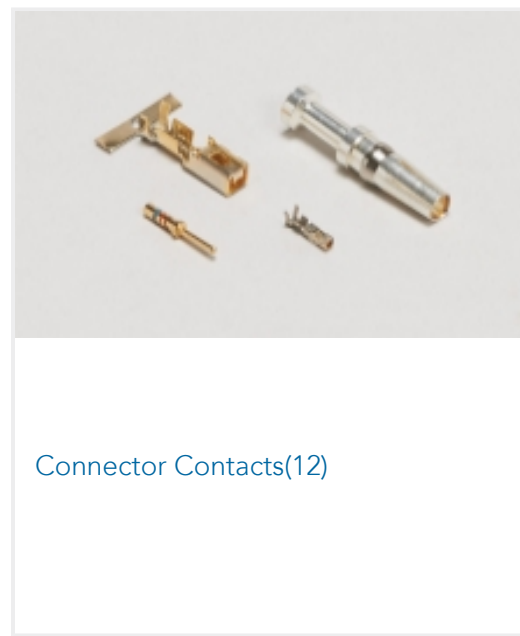


TE Part # 2334614-2
Power Versa-Lock BACK COVER 2P

Also in the Series | **Power Versa-Lock 5.0**



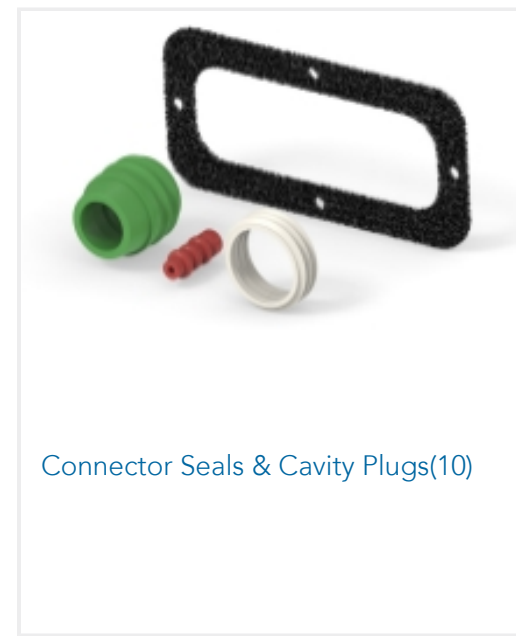
Connector Caps & Covers(4)



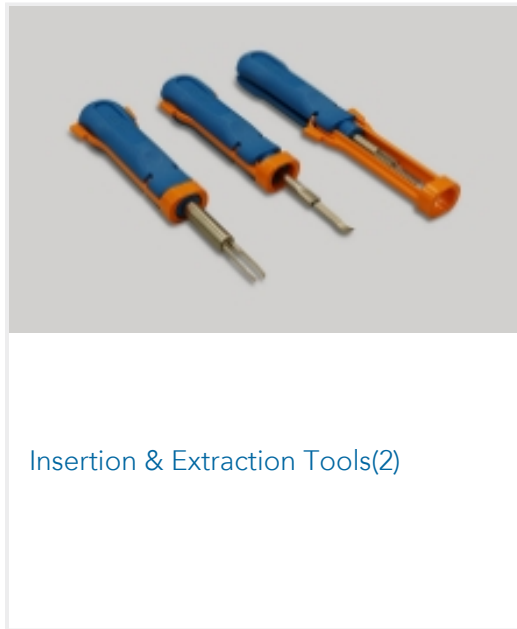
Connector Contacts(12)



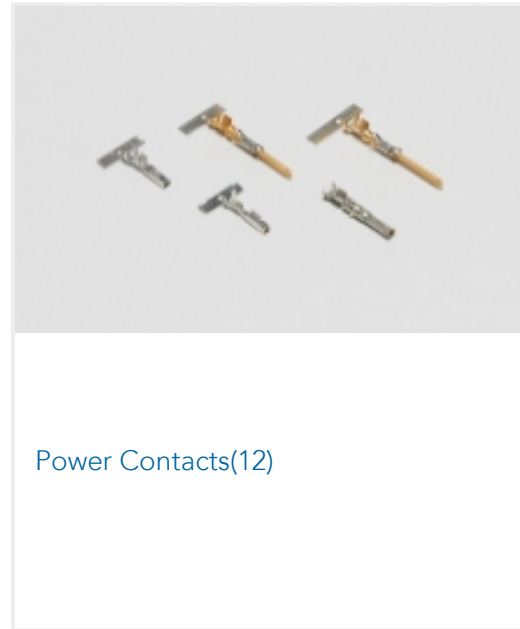
Connector Hardware(5)



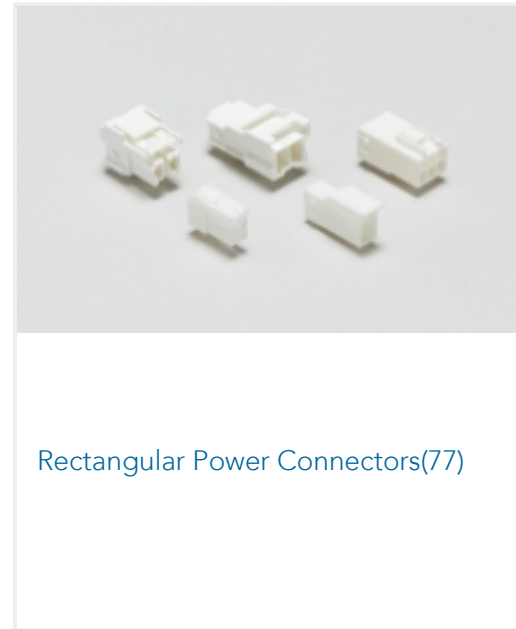
Connector Seals & Cavity Plugs(10)



Insertion & Extraction Tools(2)



Power Contacts(12)

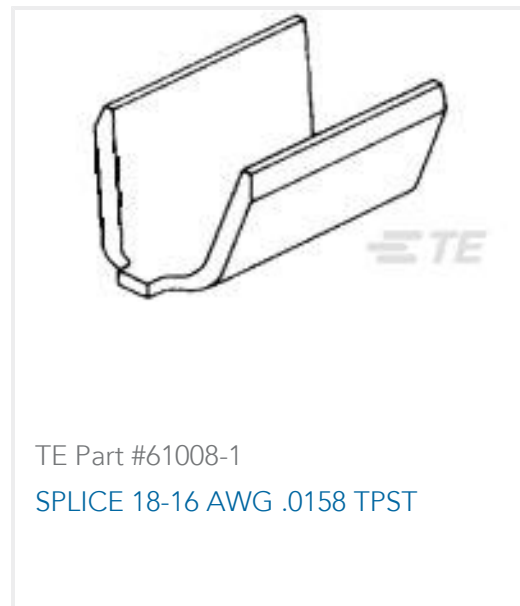


Rectangular Power Connectors(77)

Customers Also Bought



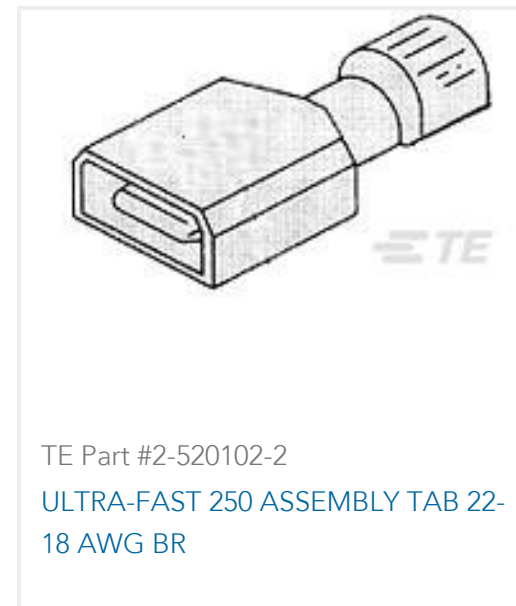
TE Part #42742-2
250 FASTON FLAG REC 18-12 AWG TPBR



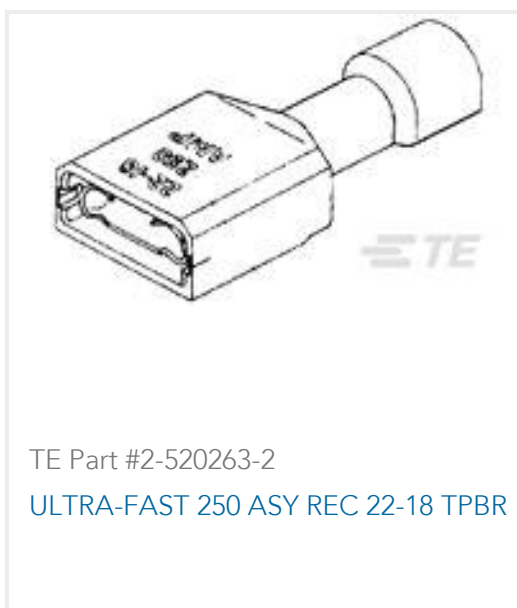
TE Part #61008-1
SPLICE 18-16 AWG .0158 TPST



TE Part #63896-1
250 FASTON REC 16-12 AWG BR



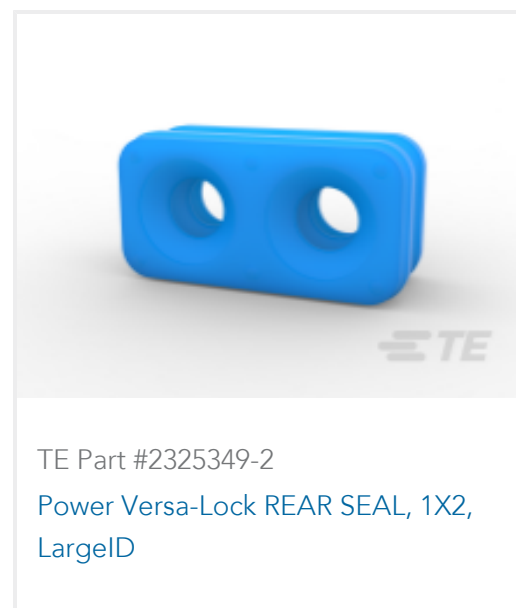
TE Part #2-520102-2
ULTRA-FAST 250 ASSEMBLY TAB 22-18 AWG BR



TE Part #2-520263-2
ULTRA-FAST 250 ASY REC 22-18 TPBR



TE Part #520963-2
ULTRA-POD 250 ASSY REC 18-14 AWG TPBR



TE Part #2325349-2
Power Versa-Lock REAR SEAL, 1X2, LargeID



TE Part #4-2378159-2
Power Versa-Lock PLUG, 1X2 KEY D



TE Part #9-2378159-2
Power Versa-Lock PLUG, 1X2 KEY I



TE Part #174966-2
040 MLC PLUG HSG 4P BLACK

Documents



Product Drawings

Power Versa-Lock PLUG, 1X2 KEY E

English

CAD Files

3D PDF

3D

Customer View Model

[ENG_CVM_CVM_5-2378159-2_A.2d_dxf.zip](#)

English

Customer View Model

[ENG_CVM_CVM_5-2378159-2_A.3d_igs.zip](#)

English

Customer View Model

[ENG_CVM_CVM_5-2378159-2_A.3d_stp.zip](#)

English

By downloading the CAD file I accept and agree to the [Terms and Conditions](#) of use.

Datasheets & Catalog Pages

power-versa-lock-connectors-0421

English

Product Specifications

Engineering Report

English

Instruction Sheets

Instruction Sheet (U.S.)

English

Agency Approvals

UL Report

English
