

ACCESSORIES

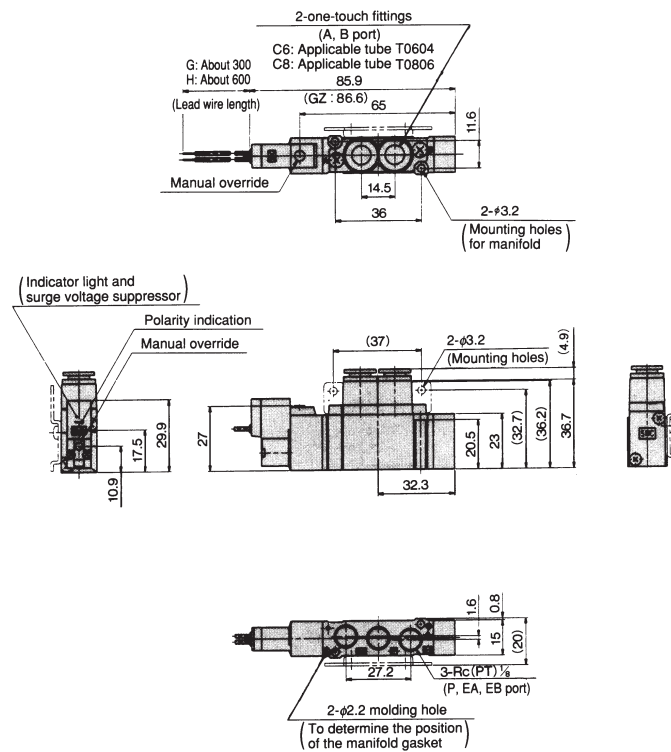
Connector series-please see SY3000 section  
 Single subbase = SY5000-27-1  
 SY5\*20 porting block-1/8" = SY5000-6A-01  
 SY5\*20 porting block-4mm = SY5000-6A-C4  
 SY5\*20 porting block-6mm = SY5000-6A-C6  
 SY5\*20 porting block-8mm = SY5000-6A-C8  
 Side mounting bracket = SX5000-16-1A  
 Foot mounting bracket = SX5000-16-2A

APPLICABLE MANIFOLDS FOR SY5000  
SERIES VALVES

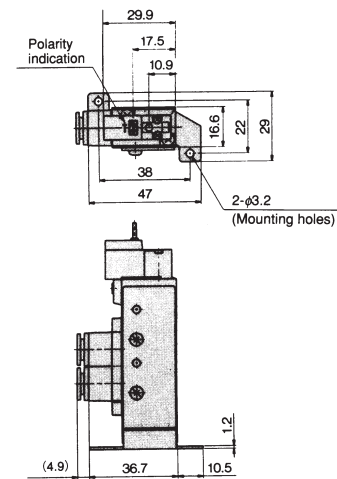
SS5Y5-20 .....For body ported valve  
 SS5Y5-20P.....For body ported valve  
 SS5Y5-41 .....For base mounted valves  
 SS5Y5-42 .....For base mounted valves  
 SS5Y5-41P.....For base mounted valves  
 SS5Y5-42P.....For base mounted valves  
 SS5Y5-45 .....Valves differ, please separate section for details of valves and manifolds

DIMENSIONS  
SY5000

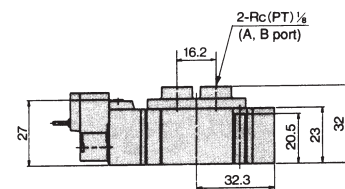
2 position single  
Grommet (G), (H) : SY5120-□<sup>G</sup>□<sup>H</sup>□□-C<sub>6</sub>-C<sub>8</sub>(-F2)



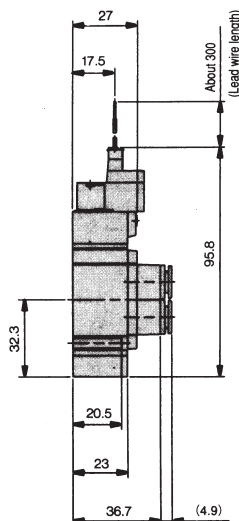
In case of with foot bracket  
SY5120-□<sup>G</sup>□<sup>H</sup>□□-C8-F1



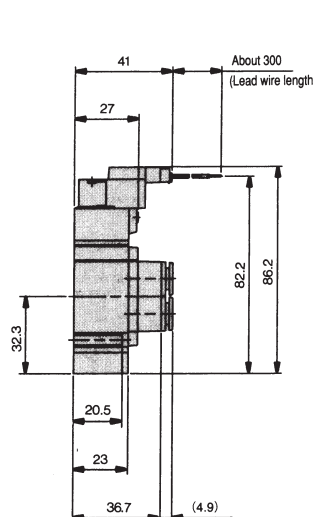
SY5120-□<sup>G</sup>□<sup>H</sup>□□-01



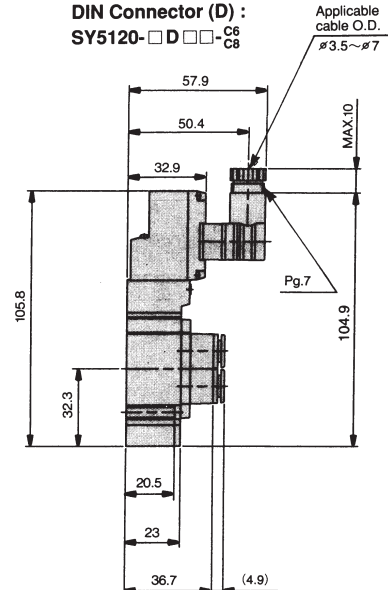
L Type Plug Connector (L) :  
SY5120-□ L □□-C<sub>6</sub>-C<sub>8</sub>



M Type Plug Connector (M) :  
SY5120-□ M □□-C<sub>6</sub>-C<sub>8</sub>



DIN Connector (D) :  
SY5120-□ D □□-C<sub>6</sub>-C<sub>8</sub>



SEE INSIDE FRONT COVER FOR  
DETAILS OF YOUR LOCAL SALES OFFICE



FOR FURTHER TECHNICAL  
DETAILS ON THIS PRODUCT  
REQUEST CATALOGUE  
REFERENCE  
E135-B