

Socket - EO-CF/PT/LED/YE - 1068075

Please be informed that the data shown in this PDF Document is generated from our Online Catalog. Please find the complete data in the user's documentation. Our General Terms of Use for Downloads are valid (<http://phoenixcontact.com/download>)



Socket, Pin connector pattern type CF, Push-in connection, Light indicator, yellow, for mounting on a DIN rail in the service interface or direct mounting, 250 V AC, 16 A, -60 °C, 105 °C, VDE 0620-1

Key Commercial Data

Packing unit	1 pc
Minimum order quantity	5 pc
GTIN	 4 055626 739731
GTIN	4055626739731
Weight per Piece (excluding packing)	72.000 g
Custom tariff number	85366990
Country of origin	Poland

Technical data

Dimensions

Width	45 mm
Height	75 mm
Depth	60 mm

Ambient conditions

Ambient temperature (operation)	-60 °C ... 105 °C (max. short-term operating temperature 130°C)
Ambient temperature (storage/transport)	-25 °C ... 60 °C (for a short time, not exceeding 24 h, -60 °C to +70 °C)

General

Nominal voltage U_N	250 V AC (50 Hz)
Nominal current I_N	16 A

Socket - EO-CF/PT/LED/YE - 1068075

Technical data

General

Status display	Yes
Contact material	CuZn37
Color	yellow
Insulating material	PA
Flammability rating according to UL 94	V0
Standards/regulations	VDE 0620-1
Country ID	Germany

Connection data

Conductor cross section solid min.	0.2 mm ²
Conductor cross section solid max.	4 mm ²
Conductor cross section flexible min.	0.2 mm ²
Conductor cross section flexible max.	2.5 mm ²
Conductor cross section AWG min.	24
Conductor cross section AWG max.	12
Connection method	Push-in connection

Standards and Regulations

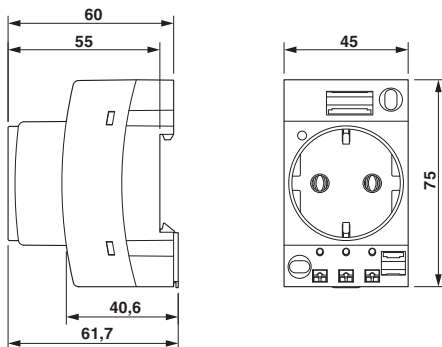
Standards/regulations	VDE 0620-1
Flammability rating according to UL 94	V0

Environmental Product Compliance

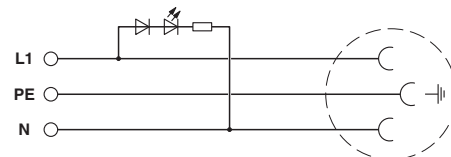
REACH SVHC	Hexahydromethylphthalic anhydride 25550-51-0
	Lead 7439-92-1

Drawings

Dimensional drawing



Circuit diagram



Socket - EO-CF/PT/LED/YE - 1068075

Classifications

eCl@ss

eCl@ss 10.0.1	27142305
eCl@ss 11.0	27142305
eCl@ss 5.1	27142300
eCl@ss 6.0	27142300
eCl@ss 7.0	27142305
eCl@ss 9.0	27142305

ETIM

ETIM 6.0	EC001663
ETIM 7.0	EC001663

Approvals


Approvals

Approvals


EAC-RoHS / EAC / VDE Gutachten mit Fertigungsüberwachung

Ex Approvals

Approval details

EAC-RoHS		RU D- DE.HB49.B.00025
----------	---	--------------------------

EAC		RU C- DE.BL08.B.00511
-----	---	--------------------------

VDE Gutachten mit Fertigungsüberwachung		http://www2.vde.com/de/Institut/Online-Service/ VDE-gepruefteProdukte/Seiten/Online-Suche.aspx	40047713
Nominal voltage UN	250 V		
Nominal current IN	16 A		

Socket - EO-CF/PT/LED/YE - 1068075

Accessories

Accessories

Adapter plate

Adapter plate - EO-SI-FRAME - 0804522



Adapter plate for installing the control cabinet sockets (type EO-...) in the mounting frames (type VS-SI-EB-EMV.../ SI-M1A.../ SI-M1B...). Includes fastening hardware for the control cabinet socket

Terminal marking

Marker for terminal blocks - UC-TMF 8 - 0818137



Marker for terminal blocks. Sheet, white, unlabeled, can be labeled with: BLUEMARK ID COLOR, BLUEMARK ID, BLUEMARK CLED, PLOTMARK, CMS-P1-PLOTTER, mounting type: snap into flat marker groove, for terminal block width: 8.2 mm, lettering field size: 7.6 x 5.1 mm, Number of individual labels: 56

Marker for terminal blocks - UC-TMF 16 - 0819262



Marker for terminal blocks. Sheet, white, unlabeled, can be labeled with: BLUEMARK ID COLOR, BLUEMARK ID, BLUEMARK CLED, PLOTMARK, CMS-P1-PLOTTER, mounting type: snap into flat marker groove, for terminal block width: 16 mm, lettering field size: 15.45 x 5.1 mm, Number of individual labels: 32

Zack Marker strip, flat - ZBF 8:UNBEDRUCKT - 0808781



Zack Marker strip, flat, Strip, white, unlabeled, can be labeled with: PLOTMARK, CMS-P1-PLOTTER, mounting type: snap into flat marker groove, for terminal block width: 8 mm, lettering field size: 5.15 x 8.15 mm, Number of individual labels: 10

Socket - EO-CF/PT/LED/YE - 1068075

Accessories

Zack Marker strip, flat - ZBF 16:UNPRINTED - 0827464



Zack Marker strip, flat, Strip, white, unlabeled, can be labeled with: PLOTMARK, CMS-P1-PLOTTER, mounting type: snap into flat marker groove, for terminal block width: 16 mm, lettering field size: 16.25 x 10.5 mm, Number of individual labels: 50