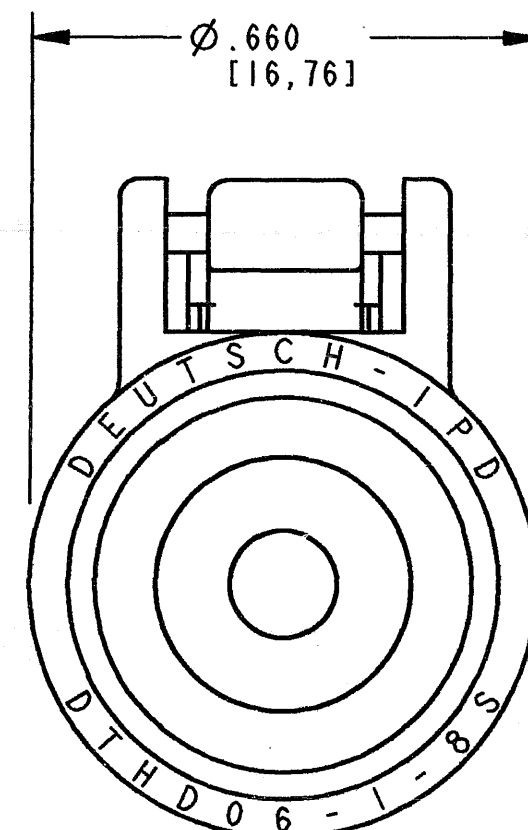
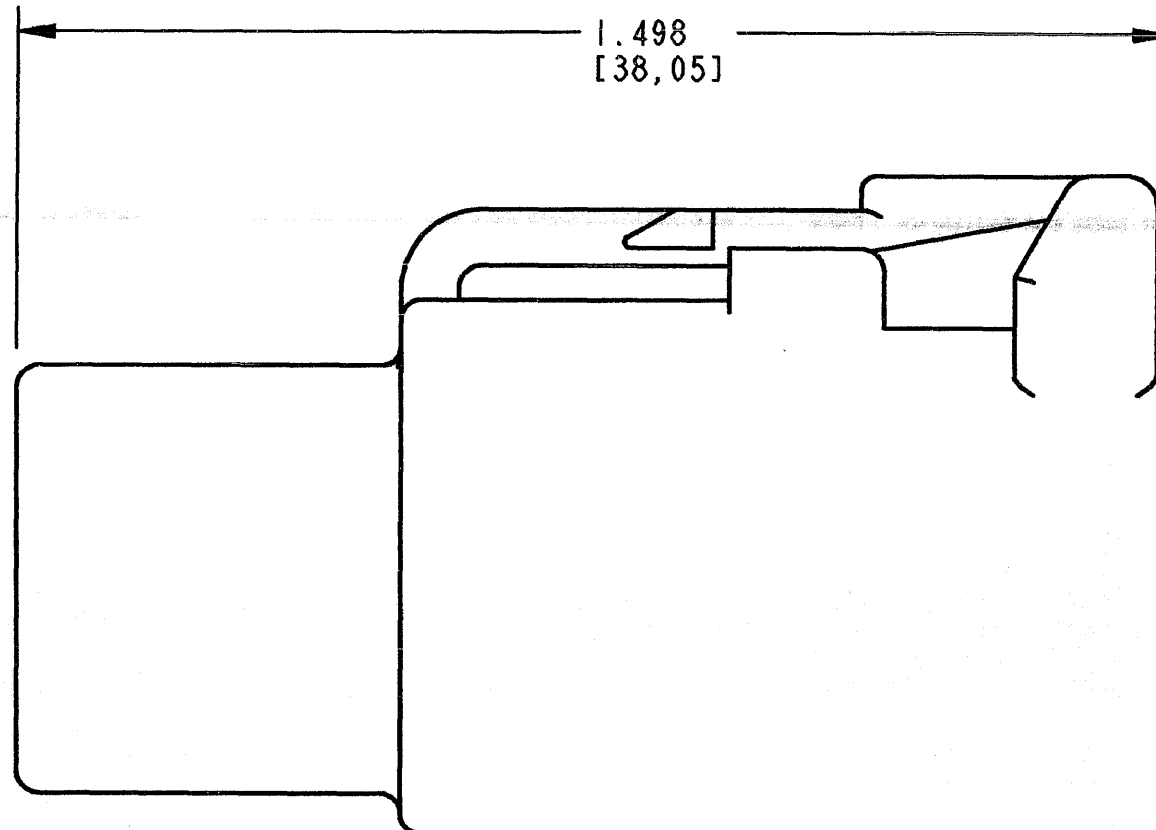
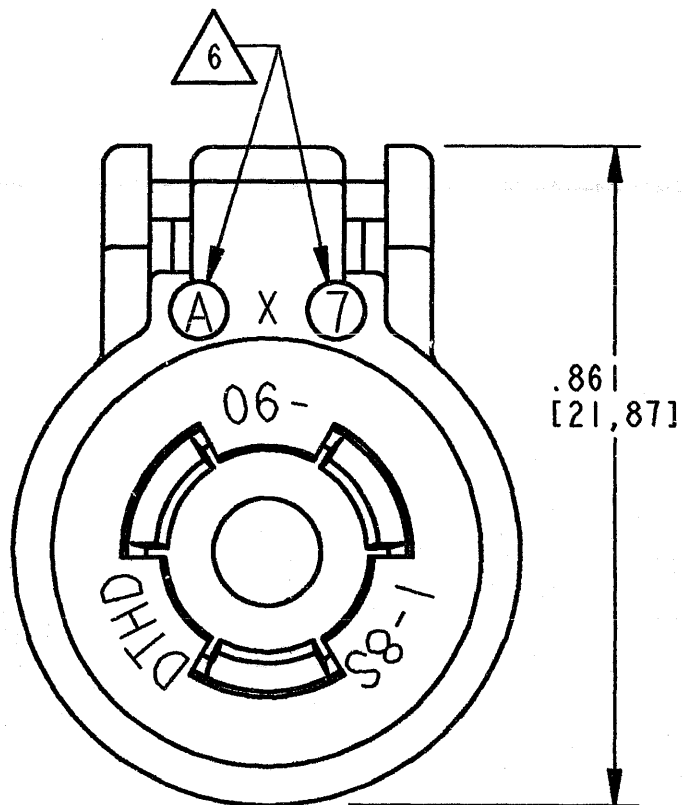


REV  
A  
**DTHD06-1-8S**

REVISIONS			
SYM	DESCRIPTION	DATE	APPROVED
NC	NEW RELEASE PER E.O. AI4636	12-6-94	R.D.R.
A	REVISED PER E.O. P18602	6-29-04	RDR



△ 6 DATE CODE: MONTH IS REPRESENTED BY SEQUENTIAL ALPHA CHARACTERS. EX: A = JANUARY.  
YEAR IS REPRESENTED BY LAST NUMERIC DIGIT. EX: 2 = 2002.

5 MATERIAL: HOUSING: PLASTIC, GROMMET: RUBBER.

△ 4 THIS PLUG MATES WITH DTHD04-1-8P-\*\*\*\* RECEPTACLE.  
(\*\*\*\* = ALL MODIFICATIONS)

3 FOR CONTACT AND WIRE PERFORMANCE AND APPLICATION CHARACTERISTIC  
SEE ENVELOPE DRAWING 0425-015-0000.

2 DIMENSION TOLERANCE: ±.025 [.64].

1 DIMENCIONS ARE IN INCHES [mm].

NOTES: UNLESS OTHERWISE SPECIFIED.

WIRE INSULATION DIA			
CONTACT SIZE	MINIMUM O.D.	MAXIMUM O.D.	WIRE RANGE [mm <sup>2</sup> ] REF. ONLY △ 4
8	.190 [4.83]	.240 [6.09]	8 - 10 AWG [8.0-5.0]

SIGNATURE & DATE	
DR	V. TOMSA JUN-8-94
CHK	<i>[Signature]</i> 6/2/04
PE	Vladimir Tomsa JUN-10-04
APPD	<i>[Signature]</i> 6/2/04
SCALE	4:1 WT

**PLUG**  
**#8 HD CONTACT**  
**DTHD SERIES**  
**COLOR BLACK**

ENVELOPE

CP	MATL. CODE
<b>The Deutsch Company</b> DEUTSCH I.P.D. 3850 INDUSTRIAL AVE. HEMET, CALIF. 92545	
<b>B</b>	<b>DTHD06-1-8S</b>
DWG SIZE	CODE 11139 SHEET   OF