

Alphabetical Picture Part Number
SEARCH SEARCH SEARCH

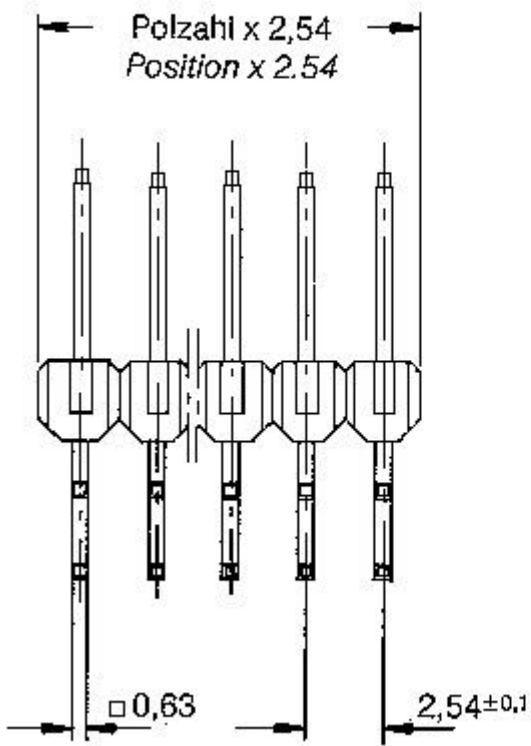
Go To Step Search™ Screen

5-826634-0 -- 1 of 1 products

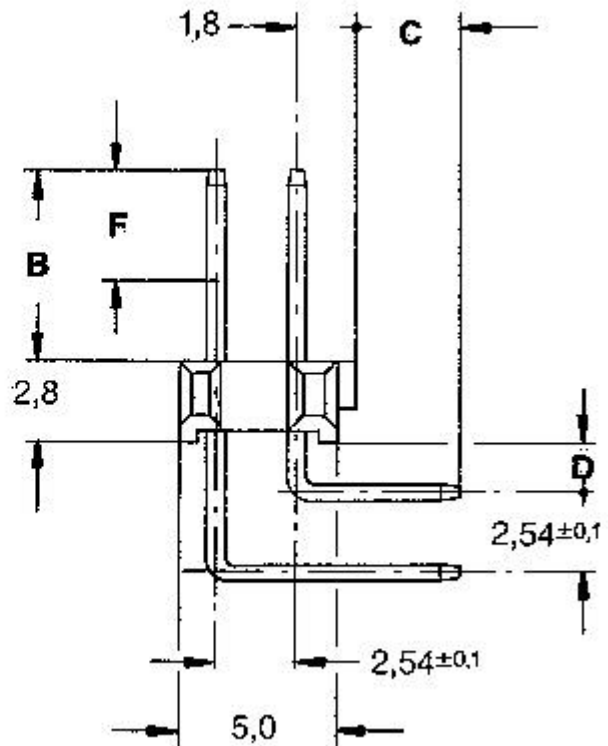
AMPMODU
Through Hole Headers

General **INFO**
 Sales **INFO**
 Customer Drawings **SPECIFICATIONS**

Zweireihig (90°)



Double Row (Right Angle)



Line art represents typical product only.

Searchable Features:

# of Rows	Dual
# of Positions	100
Breakaway Header	Yes
Profile	Standard
Shrouded	No
PCB Mount Angle	Right Angle
PCB Retention Feature	Without
Surface Mount Compatible	No
Contact Mating Area Plating	Gold (30)
Board Standoff	Without
Mounting Ears	Without
Panel Attachment	No
Mating Connector Lock	Without
High Temperature Housing	No

Other Properties:

Dim. B	.264 [6.70] in. [mm]
Dim. C	.114 [2.90] in. [mm]
Dim. D	.051 [1.30] in. [mm]
Dim. F	.217 [5.50] in. [mm]
Contact Material	Phosphor Bronze
Solder Tail Plating	Tin
Housing Material	Thermoplastic Polyester
Housing Flammability Rating	UL 94V-0
Housing Color	Green
Packaging Quantity	100