



## Datasheet

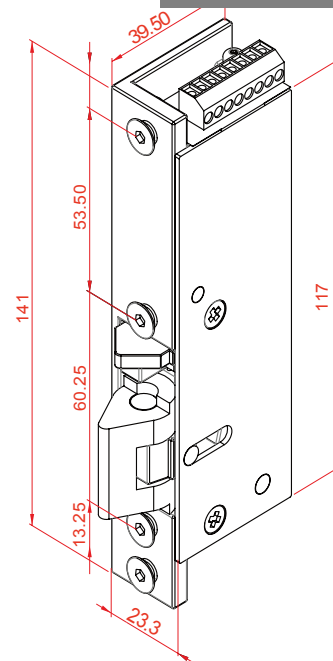
# ML-350

RS Product Code 8700711

- 12 or 24 VDC
- Double monitored
- Pre-load 500lbs
- Holding force 1500lbs
- Fail safe
- Stainless steel
- Current draw:  
280mA @ 12vdc  
140mA @ 24vdc



ENGLISH



OPENS UNDER SIDE LOAD

DIMENSIONS	LENGTH	WIDTH	DEPTH
ML-350	200	25	41

All dimensions in mm