

FEATURES AND SPECIFICATIONS

Features and Benefits

- Very low profile
- Anti-fishhooking design
- Box protects pin contact area from contamination during handling

Reference Information

Packaging: Bag or reel
 Tooling Information: See end of section
 Use With: 5264 housings
 Designed In: Millimeters

Electrical

Voltage: 250V
 Current:

AWG	22	24	26	28
Amperes	3.0	2.5	2.0	1.5

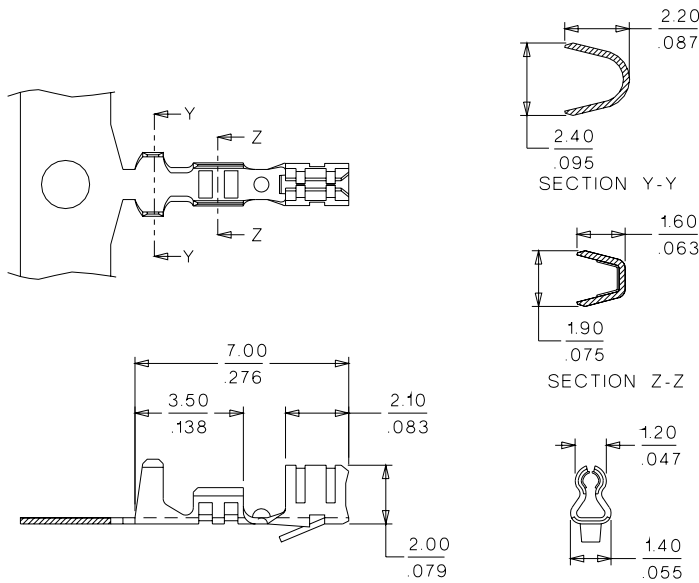
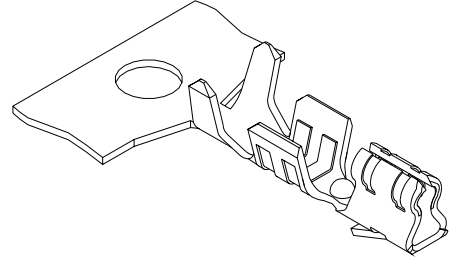
Contact Resistance: 20mΩ max.
 Dielectric Withstanding Voltage: 1000V AC/1 min.
 Insulation Resistance: 1000 MΩ min.

Physical

Contact: Phosphor Bronze
 Plating: Tin
 Temperature: -40 to +105°C

molex® 2.50mm (.098") Pitch
SPOX™
Wire-to-Board
Crimp Terminal

5263
Spring Box



ORDERING INFORMATION AND DIMENSIONS

Order No.	Terminal	Engineering No.	Wire Range AWG	Insulation Diameter
08-70-1039	Reel	5263PBT	22-28	1.90 (.075) max.
08-70-1040	Bag	5263PBTL		