

SDXC Card

SDC460T-VS1

Datasheet

Products

TS1TSDC460T-VS1
TS512GSDC460T-VS1
TS256GSDC460T-VS1
TS128GSDC460T-VS1
TS64GSDC460T-VS1

Product Description

128-1TB SD Card A2 U3/V30, 3D TLC
64GB SD Card A1 U1/V10, 3D TLC

Datasheet version

1.1

Revision History

Revision No.	History	Released Date	Editor by
1.1	Revise Power Shield	2024/06/21	PM

Important Notes and Warnings

THIS DOCUMENT AND ALL INFORMATION PROVIDED HEREIN (COLLECTIVELY, "INFORMATION") ARE PROVIDED FOR REFERENCE ONLY, AND ON AN "AS IS" BASIS WITHOUT WARRANTIES OR CONDITIONS OF ANY KIND. INFORMATION AND THE INTELLECTUAL PROPERTY RIGHTS RELATING THERETO REMAIN THE SOLE AND EXCLUSIVE PROPERTY OF TRANSCEND INFORMATION, INC. ("TRANSCEND"), AND NO LICENSE OR RIGHT IS GRANTED TO YOU BY IMPLICATION, ESTOPPEL OR OTHERWISE. YOU MUST KEEP ALL INFORMATION IN STRICT CONFIDENCE AND TRUST, AND MUST NOT, DIRECTLY OR INDIRECTLY, IN ANY WAY, DISCLOSE, MAKE ACCESSIBALE, POST ON A WEBSITE, REVEAL, REPORT, PUBLISH, DISSEMINATE OR TRANSFER ANY INFORMATION TO ANY THIRD PARTY.

YOU AGREE AND ACKNOWLEDGE THAT TRANSCEND PRODUCTS ARE NOT DESIGNED OR INTENDED FOR USE IN LIFE SUPPORT, CRITICAL CARE, MEDICAL, SAFETY EQUIPMENT, AUTOMOTIVE APPLICATION, OR SIMILAR APPLICATIONS WHERE PRODUCT FAILURE COULD RESULT IN LOSS OF LIFE OR PERSONAL OR PHYSICAL HARM, OR ANY LONG-TERM AND CONTINUOUS USED DEVICE, MILITARY OR DEFENSE APPLICATION, OR ANY GOVERNMENTAL PROCUREMENT TO WHICH SPECIAL TERMS OR PROVISIONS MAY APPLY.

YOU MUST COMPLETELY TEST TRANSCEND PRODUCT TO EVALUATE ITS VALIDITY, RELIABILITY AND APPLICABILITY PRIOR TO INITIATION OF THE PROCUREMENT PROCESS, AND YOU AGREE TO ASSUME THE SOLE RESPONSIBILITY FOR THE DECISION OF USING TRANSCEND PRODUCT IN YOUR DEVICE OR SYSTEM. YOU FURTHER AGREE THAT TRANSCEND SHALL NOT BE LIABLE FOR LOST PROFITS OR BUSINESS, INDIRECT, INCIDENTAL, CONSEQUENTIAL OR PUNITIVE DAMAGES, WHETHER BASED IN CONTRACT OR TORT.

Transcend SDC460T-VS1 Features

Part Name	Capacity
TS1TSDC460T-VS1	1TB
TS512GSDC460T-VS1	512GB
TS256GSDC460T-VS1	256GB
TS128GSDC460T-VS1	128GB
TS64GSDC460T-VS1	64GB

FEATURES

- 3D TLC NAND Flash
- Compatible with SD specification up to Ver. 6.1
- Compatible with UHS-I speed
- Video Speed up to Class V30
- Application Performance up to Class 2(A2)
- Global wear-leveling function
- Early Move function
- Read Retry function
- Supports SPI Mode
- Power Shield function
- Supports Password Protection and Secure Erase
- LDPC ECC (Error Correction Code) function
- Supports ESD IEC 61000-4-2
- Supports IPX7 IEC 60529 Edition 2.2
- Supports S.M.A.R.T. function

PERFORMANCE¹⁾

- Data Transfer Rate
 - Sequential Read Up to 100 MB/s
 - Sequential Write Up to 85 MB/s

RELIABILITY¹⁾

- TBW
 - 1TB 2660TB
 - 512GB 1328TB
 - 256GB 663TB
 - 128GB 331TB
 - 64GB 166TB

- DWPD 2.4 DWPD
- MTBF >3,000,000 hours
- Data Retention 1 year²⁾
- Warranty 3 years

ENVIRONMENTAL SPECIFICATIONS¹⁾

- Temperature
 - Operating -25°C to 85°C
 - Non-operating -40°C to 85°C
- Humidity(non-condensing) 0%~95%
- Shock²⁾ Refer [Table 13]
- Vibration²⁾ 20G, 20~2000Hz
- Drop²⁾ 1.5m free fall
- Durability(Plug Test)²⁾ 10,000 Cycles
- Bending(Middle Point)²⁾ 10N for 60s
- Torque(Max Angle $\pm 2.5^\circ$)²⁾ 0.15Nm for 30s

POWER REQUIREMENTS¹⁾

- Supply voltage / Tolerance 2.7V to 3.6V
- Active (max) 2.88W
- Idle (max) 1.8mW

PHYSICAL DIMENSION

- Width 24.00±0.1mm
- Length 32.00±0.1mm
- Height(max) 2.10±0.15mm
- Weight Up to 2g

Note:

1) All tests are handled by TRANSCEND, the results are affected by different system operations and environments. Data is for reference only.

2) For detail information, please refer TRANSCEND Qualification Report

Table of Content

1. Introduction	6
1.1 General Feature Information	6
1.2 Product List	6
1.3 Ordering Information	7
2. Product Specifications.....	8
2.1 Interface and Compliance	8
2.2 Capacity	8
2.3 Data Transfer	8
2.4 System Performance	9
2.5 Supply Voltage	9
2.6 System Power Consumption	10
2.7 Electrostatic Discharge(ESD)	11
2.8 Water Resistance	11
2.9 Environment Specifications.....	11
2.10 System Reliability	12
3. Mechanical Specification	13
4. Pin Assignments.....	14
4.1 Pin Assignments	14
5. Block Diagram and Function Explanations.....	15
5.1 Block Diagram	15
5.2 Function Explanations	16
6. Technology Term Explanations	21
6.1 TBW	21
6.2 DWPD	21
6.3 MTBF – Telcordia SR332.....	21
7. SD Card Register information	22
7.1 OCR Register	22
7.2 CID Register.....	23
7.3 CSD Register.....	24
7.4 RCA Register.....	27
7.5 SCR Register	27
8. Power Scheme	28
8.1 Power Up Time of Card	28
8.2 Power Up Time to Host.....	29
8.3 Power On or Power Cycle.....	29
8.4 Power Supply Ramp Up.....	29
8.5 Power Down and Power Cycle	29
9. Contact Information.....	0

1.Introduction

1.1 General Feature Information

Hardware Feature

- 3D TLC NAND Flash
- Controller SM2706
- Compatible with SD specification up to Ver. 6.1
- Compatible with UHS-I speed
- Video speed up to Class V30
- Application performance up to Class2(A2)
- ESD IEC 61000-4-2
- RS IEC 61000-4-3
- PFM IEC 61000-4-8
- IPX7 IEC 60529 Edition 2.2

Firmware Feature

- Global wear-leveling function
- Early Move function
- Read Retry function
- Supports SPI Mode
- Power Shield function
- Password Protection and Secure Erase function
- LDPC ECC(Error Correction Code) function
- S.M.A.R.T. function

Software Feature

- Transcend Scope Pro

1.2 Product List

Form Factor	Part Name	Capacity
SDXC	TS1TSDC460T-VS1	1TB
	TS512GSDC460T-VS1	512GB
	TS256GSDC460T-VS1	256GB
	TS128GSDC460T-VS1	128GB
	TS64GSDC460T-VS1	64GB

1.3 Ordering Information

T S X X X S D C 4 6 0 T - V S 1
1 2 3 4 5 6

1 – Transcend

2 – SD Density

3 – G: Gigabyte; T: Terabyte

4 –SD Card

5 – Product series with 3D TLC NAND Flash

6 – Version 1

2. Product Specifications

2.1 Interface and Compliance

- Compatible with SD specification up to Ver. 6.1
- Compatible with UHS-I speed
- RoHS Compliance
- CE, UKCA, FCC and BSMI Compliance

2.2 Capacity

[Table 1] Usable Bytes

	64GB	128GB	256GB
Usable Bytes	62,511,906,816	125,057,368,064	250,114,736,128

	512GB	1TB
Usable Bytes	500,296,581,120	1,000,593,162,240

Note:

1) Usable Bytes: Total free space which could be used by user. (Actual usage space will vary according to different usage environments)

2.3 Data Transfer

[Table 2] Data Transfer Specification

	64GB	128GB	256GB	512GB	1TB
SD Specification	SD5.1	SD6.1			
SD Type	SDXC	SDXC	SDXC	SDXC	SDXC
Interface	UHS-I SDR 104				
Speed Class ¹⁾	V10/U1	V30/U3	V30/U3	V30/U3	V30/U3
Application Performance Class ²⁾	A1	A2	A2	A2	A2

Note:

1) All parameters are determined by Testmetrix VTE4100. Only shows the fastest transferring bus mode

2) For A2 performance, the customers should make sure the platform can support A2 speed command.

2.4 System Performance

[Table 3] Sequential Read / Write Performance

Read / Write	64GB	128GB	256GB	512GB	1TB
Sequential Read	100 MB/s	100 MB/s	100 MB/s	100 MB/s	100 MB/s
Sequential Write	50 MB/s	85 MB/s	85 MB/s	85 MB/s	85 MB/s

Note: Maximum transfer speed recorded

1) 25°C, test on 4GB DRAM, Windows® 10 with Transcend RDF5, benchmark utility Crystal Disk Mark , copied file 1GB, unit MB/s

[Table 4] Random Read / Write Performance

Read / Write	64GB	128GB	256GB	512GB	1TB
Random Read IOPS (4KB QD32)	3200	4200	4200	4200	4200
Random Write IOPS (4KB QD32)	1000	3600	3600	3600	3600

Note: Maximum transfer speed recorded

1) 25°C, test on 4GB DRAM, Windows® 10, Card Reader that supports A2 function, benchmark IO Meter 2008 , copied 4GB size ,unit IOPS

2.5 Supply Voltage

2.5.1 DC Characteristics

[Table 5] Supply Voltage

Parameter/Condition	Requirements
V _{DD} Supply Voltage	2.7V to 3.6V

[Table 6] Recommended Operating Conditions

Parameter/Condition	Symbol	Min(V)	Type(V)	Max(V)
Supply Voltage	V _{DD}	2.7	3.3	3.6
Regulator Supply Voltage for 1.8V Signaling	V _{DDIO}	1.7	1.8	1.95
Ground Supply Voltage	V _{SS}	0	0	0

[Table 7] DC Voltage Characteristics for 3.3V Signaling

Parameter	Symbol	Min(V)	Max(V)	Note
Input Low Voltage	V _{IL}	V _{SS} - 0.3	0.25x V _{DD}	-
Input High Voltage	V _{IH}	0.625x V _{DD}	V _{DD} + 0.3	-
Output Low Voltage	V _{OL}	-	0.125x V _{DD}	I _{OL} = 2 mA@ V _{DD} (Min)
Output High Voltage	V _{OH}	0.75x V _{DD}	-	I _{OH} = -2 mA@ V _{DD} (Min)

[Table 8] DC Voltage Characteristics for 1.8V Signaling

Parameter	Symbol	Min(V)	Max(V)	Note
Input Low Voltage	V _{IL}	V _{SS} - 0.3	0.58	-
Input High Voltage	V _{IH}	1.27	2	-
Output Low Voltage	V _{OL}	-	0.45	I _{OL} = 2 mA@ V _{DD} (Min)
Output High Voltage	V _{OH}	1.4	-	I _{OH} = -2 mA@ V _{DD} (Min)

2.5.2 AC Characteristics

Timing specifications including clock timing, input and output timings for all bus modes are defined in SDA. Refer to Section 6.6 and 6.7 of Part1, Physical Layer Specification, Version 6.1 for detail information.

2.6 System Power Consumption

[Table 9] Power Consumption

Bus Mode	Read / Write	Power Consumption
Default Mode (25MHz)	Active Write (Max.) ¹⁾	0.36W
	Active Read (Max.) ¹⁾	0.36W
	Idle	1.8mW
High Speed mode (50MHz)	Active Write (Max.) ¹⁾	0.72W
	Active Read (Max.) ¹⁾	0.72W
	Idle	1.8mW
UHS-I SDR50 mode (100MHz)	Active Write (Max.) ¹⁾	1.44W
	Active Read (Max.) ¹⁾	1.44W
	Idle	1.8mW
UHS-I DDR50 mode (50MHz)	Active Write (Max.) ¹⁾	1.44W
	Active Read (Max.) ¹⁾	1.44W
	Idle	1.8mW
UHS-I SDR104 mode (208MHz)	Active Write (Max.) ¹⁾	2.88W
	Active Read (Max.) ¹⁾	2.88W
	Idle	1.8mW

Note:

1) Power consumption is referred to Section 6.6.3 of the SDA Physical Layer Specification, Version 6.1

2.7 Electrostatic Discharge(ESD)

[Table 10] Contacts Discharge to Pads

Condition	Test Procedure	Note
Human Body Model	Up to ±4KV	Refer IEC60749-26(JESD22-A114-D)

[Table 11] Non-Contacts Discharge to Pads Area

Condition	Test Procedure	Note
Air Discharge	Up to ±8KV	Refer IEC61000-4-22(CE Certification)

2.8 Water Resistance

[Table 12] International Protection Marking

IP Level	Test Procedure	Note
IPX7	The lowest point of enclosures with a height less than 850mm is located 1000mm below the surface of water for 30mins	Refer IEC60529 Edition2.2

Note:

1) The sample should be dried before use.

2.9 Environment Specifications

[Table 13] Environment Specification

Features	Operating ¹⁾	Non-Operating ²⁾
Temperature	-25°C to +85°C	-40°C to 85°C
Temperature Gradient	60°C/Hr	60°C/Hr
Humidity	0% to 95%, non-condensing	
Shock	Acceleration: 50G(490 m/s ²) Semi-Sine Wave, velocity change: 3.44m/s ³⁾⁵⁾	
Vibration	20G, 20~2000Hz, 3 axis, 10 cycles/5 mins ⁴⁾⁵⁾	
Drop	1.5m, free fall ⁵⁾	
Durability	10,000 cycles plug test ⁵⁾	
Bending	10N for 60 sec and 3 times test ⁵⁾	
Torque	0.15Nm for 30 sec ⁵⁾	

Note:

1) The operating specification is regarded as Ambient Temperature. Standard grade (-25°C to +85°C) and Industrial grade (-40°C to +85°C) indicate the temperature conditions for testing devices on programmable temperature and humidity chamber room.

2) The non-operating specification is regarded as storage specification.

3) Refer IEC 60512-6-3 standard.

4) Refer IEC 60512-6-4 standard.

5) The results are affected by different system operations and environments. Data is for reference only. For detail information, please refer TRANSCEND Qualification Report.

2.10 System Reliability

[Table 14] TelcordiaSR332 issue 4 MTBF Specifications

Parameter	64GB	128GB	256GB	512GB	1TB
MTBF	>3,000,000 hours				

Note:

1) The calculation is based on 25°C.

[Table 15] TBW (Terabytes Written) Specifications

Parameter	64GB	128GB	256GB	512GB	1TB
TBW	166 TB	331 TB	663 TB	1328 TB	2660 TB

Note:

1) TBW is based on Transcend internal standard to calculate how much data can be written in to SD card. Actual Value may depend on different application.

2) TBW calculation is referred by JSD219A formula.

[Table 16] Drive Write Per Day (DWPD) Specifications

Parameter	64GB	128GB	256GB	512GB	1TB
DWPD ¹⁾	2.4 (3 Years)				

Note:

1) DWPD is based on [Table 19] Warranty year to calculate.

[Table 17] Data Retention Specifications

Parameter	64GB	128GB	256GB	512GB	1TB
Data Retention	1 year				

Note:

1) Data retention was measured by assuming that SD reaches the maximum rated endurance at 30°C under power-off state.

2) The data retention is defined in JESD47 Requirements for standard classes of SDs.

[Table 18] Power Scheme

Parameter	64GB	128GB	256GB	512GB	1TB
Power Scheme	Refer Section 8(Power Scheme)				

[Table 19] Warranty

Parameter	64GB	128GB	256GB	512GB	1TB
Warranty	3 years limited				

[Table 20] Regulations

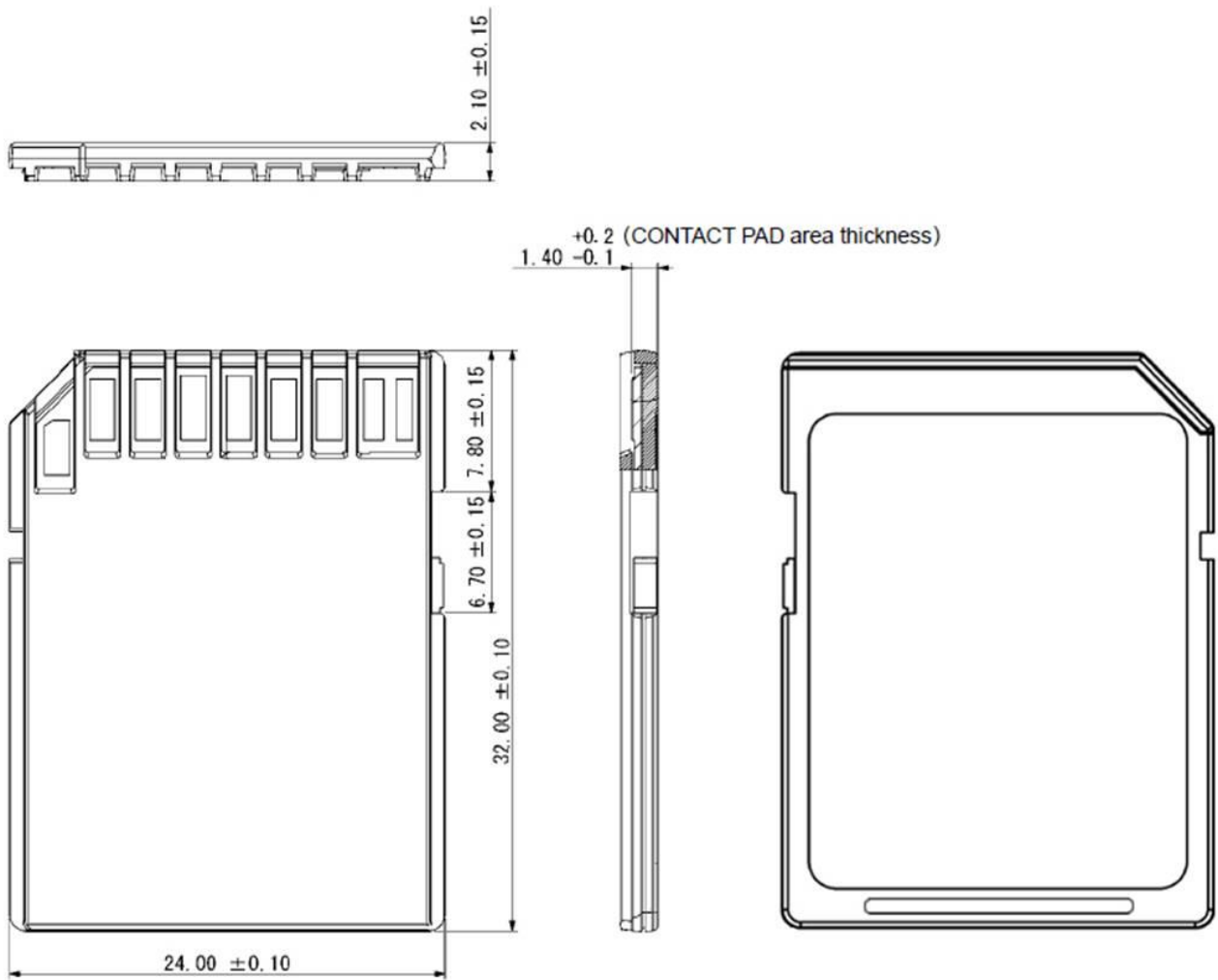
Parameter	64GB	128GB	256GB	512GB	1TB
Compliance	CE, UKCA, FCC and BSMI				

3.Mechanical Specification

The figure below illustrates the Transcend SD cards.
 (Refer SD card Mechanical Addendum)

[Table 21] Physical Dimensions and Weight

Model	Height (mm)	Width (mm)	Length (mm)	Weight (gram)
64GB/128GB/256GB/512GB/1TB	2.10±0.15	24.00±0.1	32.00±0.1	Up to 2g



4.Pin Assignments

4.1 Pin Assignments

[Table 22] Pin Assignments

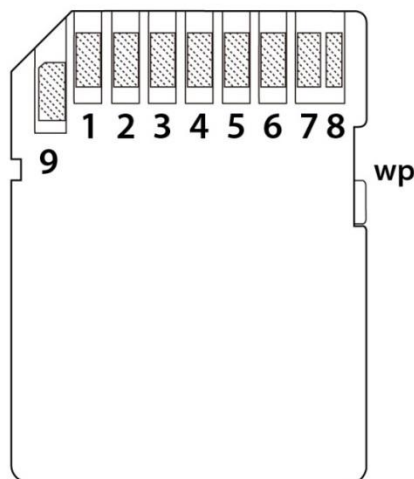
Mode	SD Mode			SPI Mode		
Pin No.	Name	IO Type	Description	Name	IO Type	Description
01	CD/DAT3	I/O/PP	Card Detect / Data Line [Bit3]	CS	I	Chip Select
02	CMD	I/O/PP	Command / Response	DI	I	Data In
03	V _{SS1}	S	Supply Voltage Ground	VSS	S	Supply Voltage Ground
04	V _{DD}	S	Supply voltage	VDD	S	Supply Voltage
05	CLK	I	Clock	SCLK	I	Clock
06	V _{SS2}	S	Supply Voltage Ground	VSS2	S	Supply Voltage Ground
07	DAT0	I/O/PP	Data Line [Bit0]	DO	O/PP	Data out
08	DAT1	I/O/PP	Data Line [Bit1]	RSV	-	Reserved
09	DAT2	I/O/PP	Data Line [Bit2]	RSV	-	Reserved

Note:

- 1) S: Power Supply, I: Input, O: Output, I/O: Bi-Directional, PP: IO Using Push-Pull Drivers
- 2) CMD and DAT pins should be pulled up by the host side with 10-100K Ohm resistance.
- 3) Mechanical Write Protect Switch: A mechanical slide tablet on the side of the SD card can be used to indicate whether a given card is write protected.

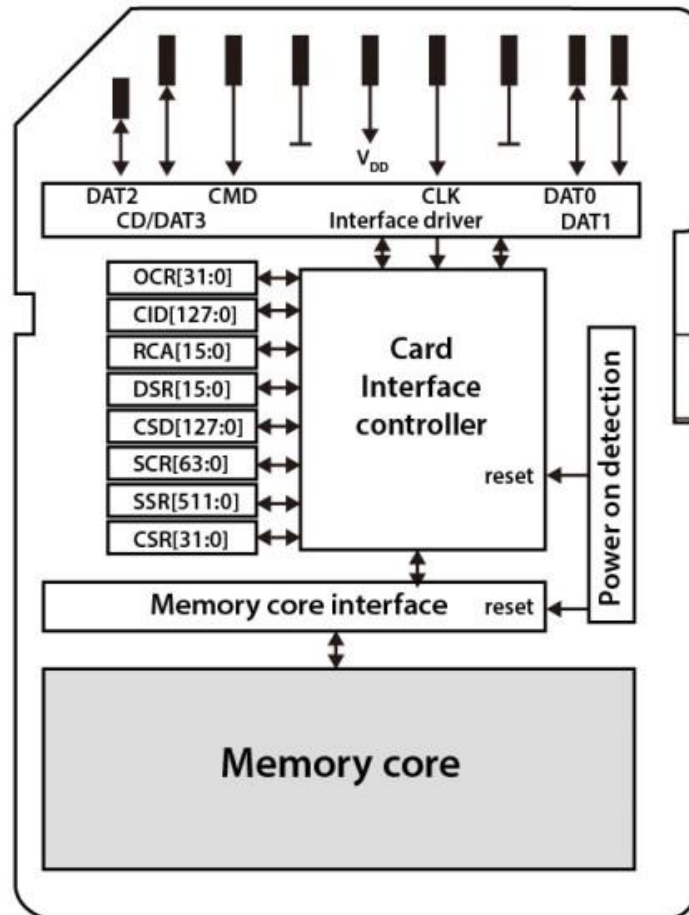
Switch pull-up: SD card is not under Write Protect.

Switch pull-down: SD card is under Write Protect.



5. Block Diagram and Function Explanations

5.1 Block Diagram



5.2 Function Explanations

5.2.1 Global Wear Leveling Function

Global wear leveling ensures that every block has an even erase count. This helps to extend the life expectancy of an SD.

There are three main processes in global wear leveling:

- (1) Record the block erase count and save this in the wear-leveling table.
- (2) Find the static-block and save this in the wear-leveling pointer.
- (3) Check the erase count when a block is pulled from the pool of spare blocks. If the block erase count is larger than WEARCNT, then swap the static-block and the over-count-block.

5.2.2 Early Move Function

Transcend SD/microSD cards enhance data reliability with error-correction code (ECC) written into the firmware. In addition, Transcend SD/microSD cards set the first threshold that monitors data correctness based on the amount of error bits that must be less than maximum ability of the ECC. If error bits showing error within a block reach the threshold, the data will be moved to a good block and the original block erased. In this way, we may ensure data can always be protected by ECC engine.

5.2.3 Read Retry Function

During read operations, the voltage is monitored. In the event of charge loss, cells being disturbed, or read/write cycling, bit errors can occur, causing read errors. To improve error correction, Transcend SD/microSD cards feature read-retry function in the firmware algorithm, which adjusts the read reference voltage to decrease or eliminate read errors.

5.2.4 Built in LDPC ECC Engine

In event of errors, the combined data allow the recovery of the original data. The number of errors that can be recovered depends on the algorithm used. With powerful LDPC ECC engine, SD card can provide high reliable quality

5.2.5 Bus Topology

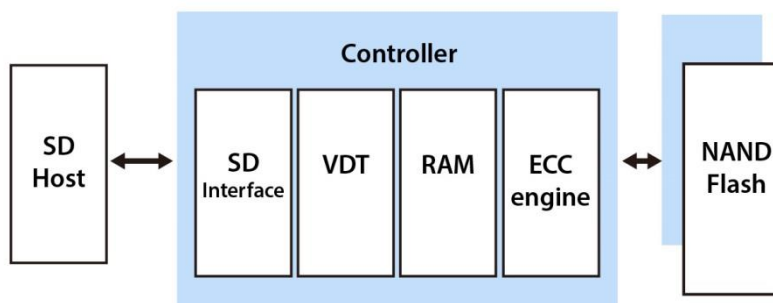
The SD Memory Card system defines two alternative communication protocols: SD and SPI. The host system can choose either one of modes. The card detects which mode is request by host when the reset command is received and expects all further communication to be in the same communication mode.

SD Bus: For more details, refer to Section 3.5.1 of the SDA Physical Layer Specification, Version 6.0.

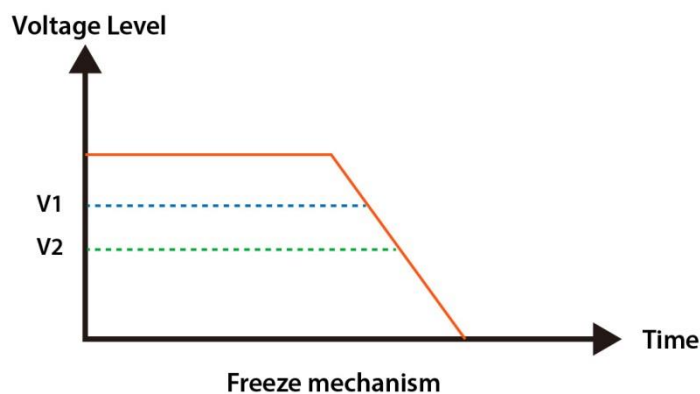
SPI Bus: For more details, refer to Section 3.5.2 of the SDA Physical Layer Specification, Version 6.0.

5.2.6 Power Shield Function

Power Shield Function is a basic technology supported by all Transcend's embedded SD/microSD cards to prevent internal NAND flash data loss in event of a sudden power outage. The internal voltage detection circuit (VDT) of the controller monitors the external power supply show as below Figure.



Design the Freeze mechanism then set two Freeze threshold, Logic-Freeze Threshold and NAND-Freeze Threshold as show in below Figure. When the power loss takes place and once the voltage drop reaches the first threshold (Logic-Freeze Threshold), Transcend SD/microSD cards will stop the communication with the host. This action is prevent the host sending further instruction such like command or data that may be corrupted. If the voltage keep dropping then reach the second threshold (NAND-Freeze Threshold), Transcend SD/microSD cards stop writing data into NAND flash memory.



Note:

1. V1 is defined as voltage level of Logic-Freeze Threshold. When power provided to the card is below to V1, SD controller stop to receive any new data.
2. V2 is defined as voltage level of NAND-Freeze Threshold. When power provided to the card is below to V2, the card will not have enough power to finish data programming. SD controller should stop writing any data into flash and prevent writing error data into flash.

At the same time, there may remain temporarily data store in RAM buffer. Those data be written complete between Logic-Freeze Threshold and NAND-Freeze Threshold without error.

However, the power shield does not guarantee whole data stored in the SD card from damage due to abnormal power loss. The main purpose is to ensure the SD card from function failure.

5.2.7 Password Protection and Secure Erase Function

Support for password protected locking and unlocking of SD devices. It uses the LOCK/UNLOCK command (CMD42) which is available in SD command sets. The host sets the password and sends it to the card, after which the card will be locked. Data will be read and write protected, and can be viewed and changed only by entering the correct password. Where an incorrect password is provided, the card will remain locked. A password-protected card will be automatically locked after power reset. To permanently unlock a card, the password must be removed. The Scope Pro has SD LOCK function which uses CMD42 to LOCK/UNLOCK the SD/microSD cards.

Secure Erase permanently erases all user data in the SD/microSD cards when SD LOCK function is enable.

5.2.8 Transcend Scope Pro

Transcend's Scope Pro is a convenient software package that helps users monitor and manage SD status via an intuitive interface. It offers various useful features, including drive information and S.M.A.R.T. status monitoring, performance test, and health indication. It must be noted that Scope Pro is available when used with the TS-RDF5 card reader in Windows system. Scope Pro needs to be used with SDIO interface in Linux system. For more information, please refer the website link.

<https://us.transcend-info.com/Embedded/Software/Monitor>

5.2.9 S.M.A.R.T Function

Transcend Industrial SD Card supports S.M.A.R.T. command (CMD56) that allows the user to read the health information of the SD. Transcend also define some innovated S.M.A.R.T. features which allows the user to evaluate the status of the SD in a much more efficient way.

[Table 23] SMART Data Structure

Identifier	Offset	Length(Byte)	Description
Card Maker	0X000	16	Transcend
Bus Width	0X010	1	00h: 1 bit width 10h: 4 bit width
Secured Mode	0X011	1	00h: Not in the secured mode 01h: In secured mode
Speed Class	0X012	1	00h: Class 0 01h: Class 2 02h: Class 4 03h: Class 6 04h: Class 10
UHS Speed Grade	0X013	1	00h: Less than 10MB/s 01h: 10MB/s and above 02h: Reserved 03h: 30MB/s and above
New Bad Block Count	0X01A	1	Run-Time Bad Block Count
Spare Block	0X01E	2	Spare Block Count
Min. Erase Count	0X020	4	Minimum Erase Count
Max. Erase Count	0X024	4	Maximum Erase Count
Total Erase Count	0X028	4	Total Erase Count
Avg. Erase Count	0X02C	4	Average Erase Count
NAND P/E Cycle	0X044	2	NAND P/E Cycle (unit: 100 times)
Card Life(%)	0X046	1	Remaining Card Life(%)= (NAND PE Cycle-Avg. Erase Count)/ NAND PE Cycle
Current SD card Speed Mode	0X047	1	0x00: Default Speed 0x01: High speed mode 0x10: SDR12 0x11: SDR25 0x12: SDR50 0x14: DDR50 0x18: SDR104
Total Write CRC Count	0X048	4	Total Write CRC Count
Power On/Off Count	0X04C	4	Power On/Off Count
NAND Flash ID	0X050	6	NAND Flash ID
SMI SD Controller P/N	0X058	8	SD Controller P/N(e.g. SM2706)
SD Firmware Version	0X080	8	SD Firmware Version(e.g. R0321)
Abnormal Power Detect	0X0A4	4	Abnormal Power Count

5.2.10 Other Functions

Transcend SD embedded a lot of cutting-edge technology. Should you have any technical request, please contact the local support team or send us an e-mail.

6. Technology Term Explanations

6.1 TBW

Terabytes Written (TBW) directly measures how much you can write cumulatively into the drive over its lifetime. Essentially, it just includes the multiplication conducted above in the measurement itself. For example, if your drive is rated for 365 TBW, that means you can write 365 TB into it before a replacement is required.

If its warranty period is 5 years, that works out to $365 \text{ TB} \div (5 \text{ years} \times 365 \text{ days/year}) = 200 \text{ GB}$ of writes per day. If your drive was 200 GB in size, that's equivalent to 1 DWPD. Correspondingly, if your drive was rated for $3.65 \text{ PBW} = 3,650 \text{ TBW}$, that works out to 2 TB of writes per day, or 10 DWPD.

As you can see, if you know the drive's size and warranty period, you can always calculate TBW from DWPD and vice-versa with simple multiplications or divisions. The two measurements are very similar.

6.2 DWPD

Drive Writes Per Day (DWPD) measures how many times you could overwrite the drive's entire size each day of its life. For example, suppose your drive is 200 GB and its warranty period is 5 years. If its DWPD is 1, that means you can write 200 GB (its size, one time) into it every single day for the next five years. If you multiply that out, that's $200 \text{ GB per day} \times 365 \text{ days/year} \times 5 \text{ years} = 365 \text{ TB}$ of cumulative writes before you may need to replace it.

If the DWPD is 10 instead of 1, that means you can write $10 \times 200 \text{ GB} = 2 \text{ TB}$ (its size, ten times) into it every day. Correspondingly, that's $3,650 \text{ TB} = 3.65 \text{ PB}$ of cumulative writes over 5 years.

6.3 MTBF – Telcordia SR332

MTBF (mean time between failures) is a measure of how reliable a hardware product or component is. For most components, the measurement is typically in thousands or even tens of thousands of hours between failures. For example, a SD may have a mean time between failures of 200,000 hours. A desired MTBF can be used as a quantifiable objective when designing a new product. The MTBF figure can be developed as the result of intensive testing, based on actual product experience, or predicted by analyzing known factors. The manufacturer may provide it as an index of a product's or component's reliability and, in some cases, to give customers an idea of how much service to plan for. In Transcend MTBF data, we use Telcordia SR-332 Issue 4 method to do estimated calculation.

7.SD Card Register information

7.1 OCR Register

The OCR 32-bit operation conditions register stores the VDD voltage profile of the non UHS-II card and VDD1 voltage profile of the UHS-II card. Additionally, this register includes status information bits. One status bit is set if the card power up procedure has been finished. This register includes another status bit indicating the card capacity status after set power up status bit

Note:

- 1) This bit is valid only when the card power up status bit is set.
- 2) This bit is set to LOW if the card has not finished the power up routine.

[Table 24] OCR Register Structure

OCR Bit Position	OCR Fields Definition
0-3	Reserved
4	Reserved
5	Reserved
6	Reserved
7	Reserved for Low Voltage Range
8	Reserved
9	Reserved
10	Reserved
11	Reserved
12	Reserved
13	Reserved
14	Reserved
15	2.7-2.8
16	2.8-2.9
17	2.9-3.0
18	3.0-3.1
19	3.1-3.2
20	3.2-3.3
21	3.3-3.4
22	3.4-3.5
23	3.5-3.6
24	Switching to 1.8V Accepted(S18A)
25-28	Reserved
29	UHS-II Card Status
30	Card Capacity Status(CCS)1
31	Card Power Up Status bit(BUSY)2

7.2 CID Register

The Card Identification (CID) register is 128 bits wide. It contains the card identification information used during the card identification phase. Every individual flash card shall have a unique identification number. The structure of the CID register is defined in the following paragraphs:

[Table 25] CID Register Structure

Name	Field	Width	CID-Slice
Manufacturer ID	MID	8	[127:120]
OEM/Application ID	OID	16	[119:104]
Product Name	PNM	40	[103:64]
Product Revision	PRV	8	[63:56]
Product Serial Number	PSN	32	[55:24]
Reserved	-	4	[23:20]
Manufacturing Date	MDT	12	[19:8]
CRC7 Checksum	CRC	7	[7:1]
Not Used, Always "1"	-	1	[0:0]

7.2.1 MID

An 8-bit binary number that identifies the card manufacturer.

7.2.2 OID

A 2-character ASCII string that identifies the card OEM and/or the card contents (when used as a distribution media either on ROM or FLASH cards).

7.2.3 PNM

The product name is a string, 5 ASCII characters long.
PNM can be customized by Transcend.

7.2.4 PRV

The product revision is composed of two Binary Coded Decimal (BCD) digits, four bits each, representing an "n.m" revision number. The "n" is the most significant nibble and "m" is the least significant nibble. As an example, the PRV binary value field for product revision "6.2" will be: 0110 0010.
PRV can be customized by Transcend.

7.2.5 PSN

The Serial Number is 32 bits of binary number.
PSN can be customized by Transcend.

7.2.6 MDT

The manufacturing date composed of two hexadecimal digits, one is 8 bit representing the year(y) and the other is four bits representing the month(m).

The “m” field [11:8] is the month code. 1 = January.

The “y” field [19:12] is the year code. 0 = 2000.

As an example, the binary value of the Date field for production date “April 2001” will be:

00000001 0100.

MDT can be customized by Transcend.

7.2.7 CRC

CRC7 checksum (7 bits).

7.3 CSD Register

The following sections describe the CSD fields and the relevant data types for the standard and High Capacity SD Memory Card. CSD Version 1.0 is applied Capacity SD Memory Card and CSD Version is applied to 2.0 is applied to only the High Capacity SD Memory Card. The field name in parenthesis is set to fixed value and indicates that the host is not necessary to refer these fields. The fixed values enables host, which refers to these fields, to keep compatibility to CSD Version 1.0. The Cell Type field is coded as follows: R = readable, W(1) = writable once, W = multiple writable.

7.3.1 CSD Register Structure

[Table 26] CSD Register Structure

CSD_STRUCTURE	CSD Structure version	Card capacity
0	CSD Version1.0	Standard Capacity
1	CSD Version2.0	High Capacity and Extended Capacity
2-3	reserved	-

7.3.2 CSD Register Structure(CSD Version 1.0)

[Table 27] CID Register Structure(Version 1.0)

Name	Field	Width	Cell Type	CSD-Slice
CSD Structure	CSD_STRUCTURE	2	R	[127:126]
Reserved	-	6	R	[125:120]
Data Data Access-Time-1	TAAC	8	R	[119:112]
Data Read Access-Time-2 in CLK Cycles(NSAC*100)	NSAC	8	R	[111:104]
Max. Read Transfer Rate	TRAN-SPEED	8	R	[103:96]
Card Command Classes	CCC	12	R	[95:84]
Max. Read Data Block Length	READ_BL_LEN	4	R	[83:80]
Partial Blocks for Read Allowed	READ_BL_PARTIAL	1	R	[79:79]
Write Block Misalignment	WRITE_BLK_MISALIGN	1	R	[78:78]
Read Block Misalignment	READ_BLK_MISALIGN	1	R	[77:77]
DSR Implemented	DSR_IMP	1	R	[76:76]
Reserved	-	2	R	[75:74]
Device Size	C_SIZE	12	R	[73:62]
Max. Read Current @VDD Min.	VDD_R_CURR_MIN	3	R	[61:59]
Max. Read Current @VDD Max.	VDD_R_CURR_MAX	3	R	[58:56]
Max. Write Current @VDD Min.	VDD_W_CURR_MIN	3	R	[55:53]
Max. Write Current @VDD Max.	VDD_W_CURR_MAX	3	R	[52:50]

7.3.3 CSD Register Structure(CSD Version 2.0)

[Table 28] CID Register Structure(Version 2.0)

Name	Field	Width	Value	Cell Type	CSD-Slice
CSD Structure	CSD_STRUCTURE	2	01b	R	[127:126]
Reserved	-	6	00 0000b	R	[125:120]
Data Read Access-Time-1	TAAC	8	0Eh	R	[119:112]
Data Read Access-Time-2 in CLK Cycles(NSAC*100)	NSAC	8	00h	R	[111:104]
Max. Data Transfer Rate	TRAN-SPEED	8	32h or 5Ah	R	[103:96]
Card Command Classes	CCC	12	01x110110101b	R	[95:84]
Max. Read Data Block Length	READ_BL_LEN	4	9	R	[83:80]
Partial Blocks for Read Allowed	READ_BL_PARTIAL	1	0	R	[79:79]
Write Block Misalignment	WRITE_BLK_MISALIGN	1	0	R	[78:78]
Read Block Misalignment	READ_BLK_MISALIGN	1	0	R	[77:77]
DSR Implemented	DSR_IMP	1	X	R	[76:76]
Reserved	-	6	00 0000b	R	[75:70]
Device Size	C_SIZE	22	00 xxxxh	R	[69:48]
Reserved	-	1	0	R	[47:47]
Erase Single Block Enable	ERASE_BLK_EN	1	1	R	[46:46]
Erase Sector Size	SECTOR_SIZE	7	7Fh	R	[45:39]
Write Protect Group Size	WP_GRP_SIZE	7	000000b	R	[38:32]
Write Protect Group Enable	WP_GRP_ENABLE	1	0	R	[31:31]
Reserved	-	2	00b	R	[30:29]
Write Speed Factor	R2W_FACTOR	3	010b	R	[28:26]
Max. Write Data Block Length	WRITE_BL_LEN	4	9	R	[25:22]
Partial Blocks for Write Allowed	WRITE_BL_PARTIAL	1	0	R	[21:21]
Reserved	-	5	00000b	R	[20:16]
File Format Group	FILE_FORMAT_GRP	1	0	R	[15:15]
Copy Flag(OTP)	COPY	1	X	R/W(1)	[14:14]
Permanent Write Protection	PERM_WRITE_PROTECT	1	X	R/W(1)	[13:13]
Temporary Write Protection	TMP_WRITE_PROTECT	1	X	R/W	[12:12]
File Format	FILE_FORMAT	2	00b	R	[11:10]
Reserved	-	2	00b	R	[9:8]
CRC	CRC	7	xxxxxxx	R/W	[7:1]
Not Used, Always"1"	-	1	1	-	[0:0]

7.4 RCA Register

The writable 16-bit relative card address register carries the card address that is published by the card during the card identification. This address is used for the addressed host-card communication after the card identification procedure. The default value of the RCA

7.5 SCR Register

In addition to the CSD register, there is another configuration register named SD CARD configuration Register, SCR provide information on the SD memory card's special feature that were configured into the given card.

The size of SCR register is 64 bits. This register shall be set in the factory by Transcend. The following table describes the SCR register content

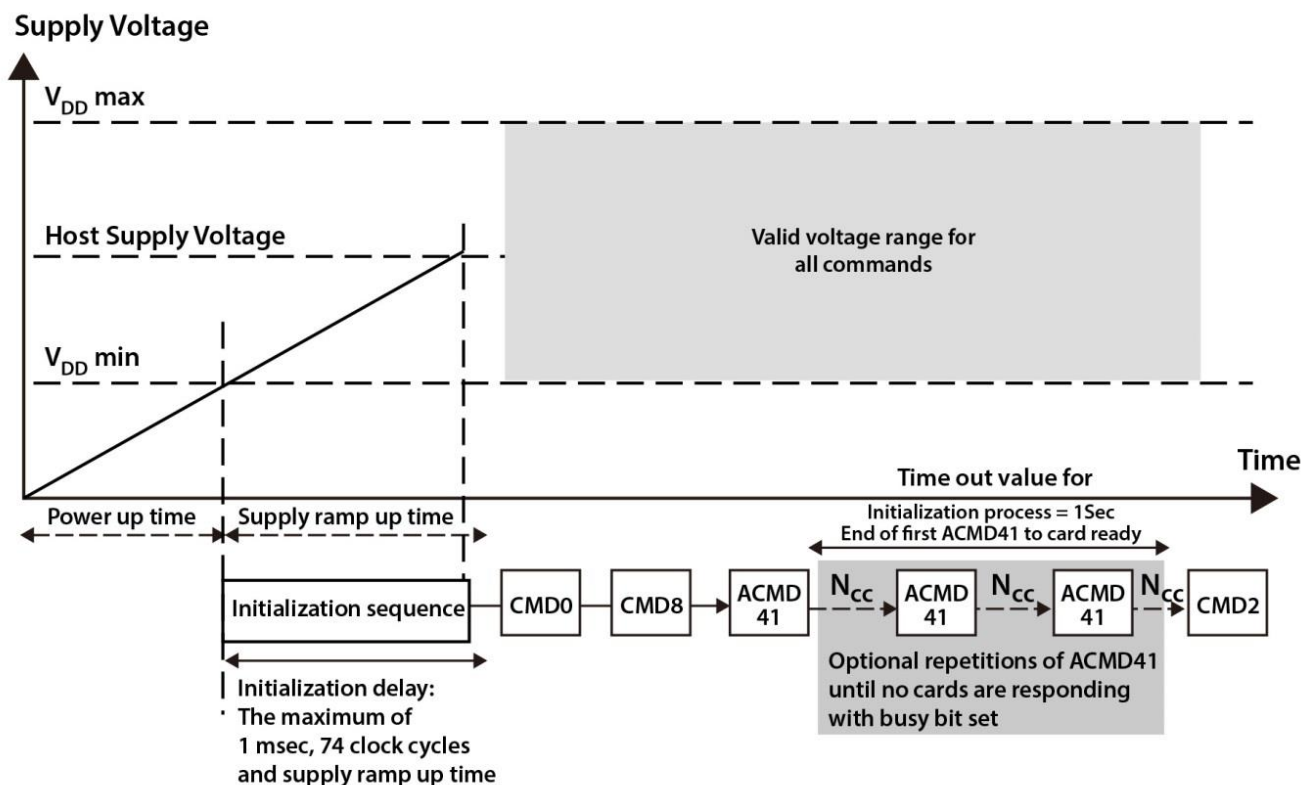
[Table 29] SCR Register Structure

Description	Field	Width	Cell Type	SCR Slice
SCR Structure	SCR_STRUCTURE	4	R	[63:60]
SD Memory Card- Spec. Version	SD_SPEC	4	R	[59:56]
Data_Status_After Erases	DATA_STAT_AFTER_ERASE	1	R	[55:55]
CPRM Security Support	SD_SECURITY	3	R	[54:52]
DAT Bus Widths Supported	SD_BUS_WIDTHS	4	R	[51:48]
Spec. Version 3.00 or Higher	SD_SPEC3	1	R	[47:47]
Extended Security Support	EX_SECURITY	4	R	[46:43]
Spec. Version 4.00 or Higher	SD_SPEC4	1	R	[42:42]
Spec. Version 5.00 or Higher	SD_SPECX	4	R	[41:38]
Reserved	-	2	R	[37:36]
Command Support bits	CMD_SUPPORT	4	R	[35:32]
Reserved for Manufacturer Usage	-	32	R	[31:0]

8. Power Scheme

8.1 Power Up Time of Card

A card shall be ready to accept the first command within 1ms from detecting VDD min. The host may use up to 74 clocks for preparation before receiving the first command.



Power up time is defined as voltage rising time from 0 volt to VDD min and depends on application parameters such as the maximum number of SD Cards, the bus length and the characteristic of the power supply unit.

Supply ramp up time provides the time that the power is built up to the operating level (Host Supply Voltage) and the time to wait until the SD card can accept the first command,

The host shall supply power to the card so that the voltage is reached to Vdd_min within 250ms and start to supply at least 74 SD clocks to the SD card with keeping CMD line to high. In case of SPI mode, CS shall be held to high during 74 clock cycles.

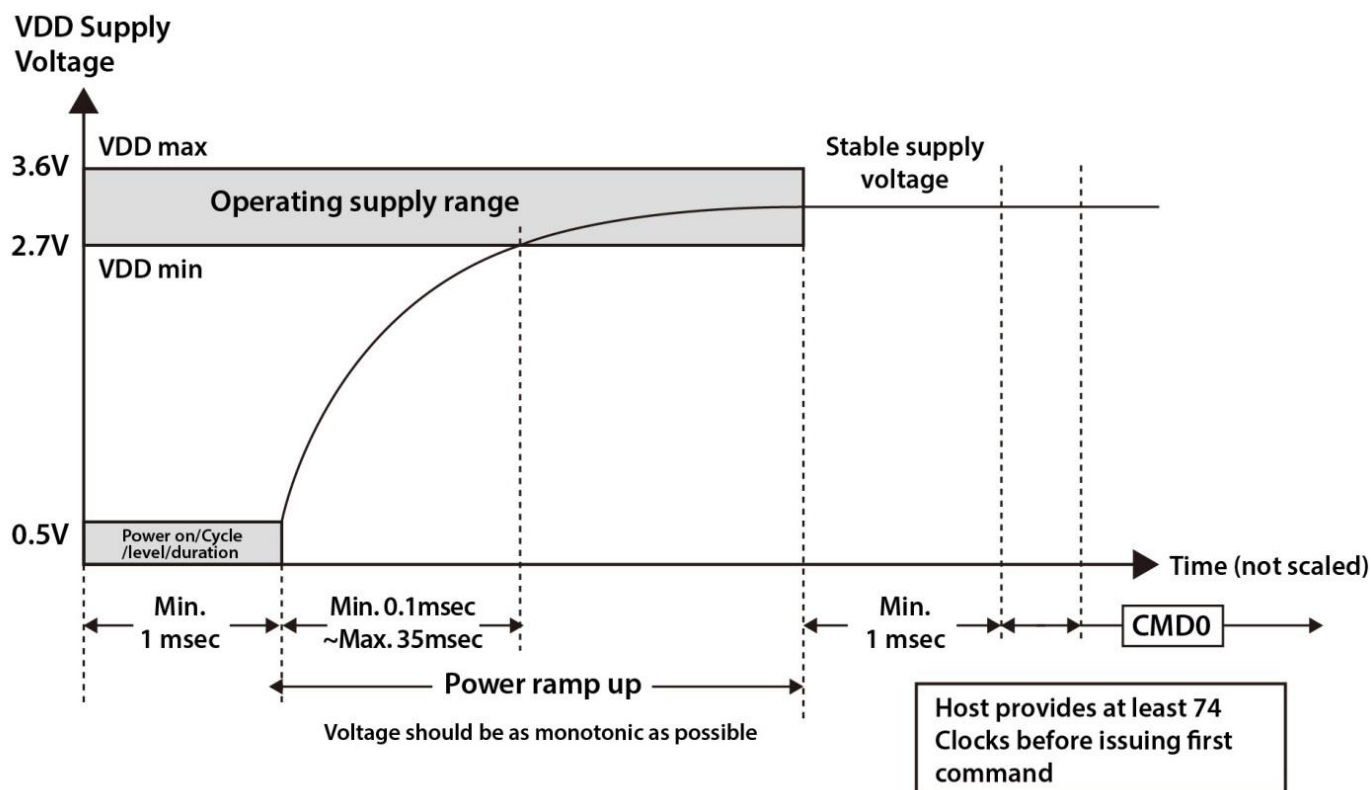
After power up (including hot insertion, i.e. inserting a card when the bus is operating) the SD Card enters the idle state. In case of SD host, CMD0 is not necessary. In case of SPI host, CMD0 shall be the first command to send the card to SPI mode.

CMD8 is newly added in the Physical Layer Specification Version 2.00 to support multiple voltage ranges and used to check whether the card supports supplied voltage. The version 2.00 or later host shall issue CMD8 and verify voltage before card initialization. The host that does not support CMD8 shall supply high voltage range.

ACMD41 is a synchronization command used to negotiate the operation voltage range and to poll the cards until they are out of their power-up sequence. In case the host system connects multiple cards, the host shall check that all cards satisfy the supplied voltage. Otherwise, the host should select one of the cards and initialize.

8.2 Power Up Time to Host

Host needs to keep power line level less than 0.5V and more than 1ms before power ramp up.



8.3 Power On or Power Cycle

Followings are requirements for Power on and Power cycle to assure a reliable SD Card hard reset.

- (1) Voltage level shall be below 0.5V
- (2) Duration shall be at least 1ms.

8.4 Power Supply Ramp Up

The power ramp up time is defined from 0.5V threshold level up to the operating supply voltage which is stable between VDD(min.) and VDD(max.) and host can supply SDCLK.

Followings are recommendation of Power ramp up:

- (1) Voltage of power ramp up should be monotonic as much as possible.
- (2) The minimum ramp up time should be 0.1ms.
- (3) The maximum ramp up time should be 35ms for 2.7-3.6V power supply.
- (4) Host shall wait until VDD is stable.
- (5) After 1ms VDD stable time, host provides at least 74 clocks before issuing the first command.

8.5 Power Down and Power Cycle

When the host shuts down the power, the card VDD shall be lowered to less than 0.5Volt for a minimum period of 1ms. During power down, DAT, CMD, and CLK should be disconnected or driven to logical 0 by the host to avoid a situation that the operating current is drawn through the signal lines.

If the host needs to change the operating voltage, a power cycle is required. Power cycle means the power is turned off and supplied again. Power cycle is also needed for accessing cards that are already in Inactive State. To create a power cycle the host shall follow the power down description before power up the card (i.e. the card VDD shall be once lowered to less than 0.5Volt for a minimum period of 1ms).

9. Contact Information

TAIWAN

No.70, XingZhong Rd., NeiHu Dist., Taipei, Taiwan,
R.O.C

TEL +886-2-2792-8000

Fax +886-2-2793-2222

E-mail: sales-tw@transcend-info.com

Shanghai

E-mail: sales-cn@transcendchina.com

TEL: +86-21-6161-9388

Beijing

E-mail: sales-cn@transcendchina.com

TEL: +86-10-8265-9969

Shenzhen

E-mail: sales-cn@transcendchina.com

TEL: +86-755-2598-7200

Hong Kong

E-mail: sales-hk@transcend-info.com

TEL: +852-2331-8929

Los Angeles

E-mail: sales-us@transcend-info.com

TEL: +1-714-921-2000

Maryland

E-mail: sales-us@transcend-info.com

TEL: +1-410-689-4900

Silicon Valley

E-mail: sales-us@transcend-info.com

TEL: +1-408-785-5990

JAPAN

E-mail: sales-jp@transcend-info.com

TEL: +81-3-5820-6000

KOREA

E-mail: sales-kr@transcend-info.com

TEL: +82-2-782-8088

GERMANY

E-mail: sales-de@transcend-info.com

TEL: +49-40-538-907-0

NETHERLANDS

E-mail: sales-nl@transcend-info.com

TEL: +31-10-298-8500

United Kingdom

E-mail: sales-uk@transcend-info.com

TEL: +44-1442-202-880