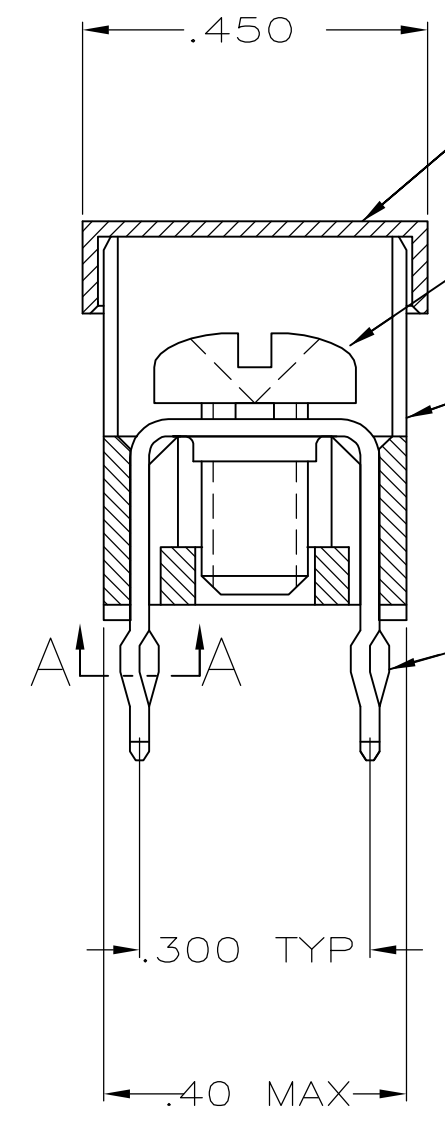
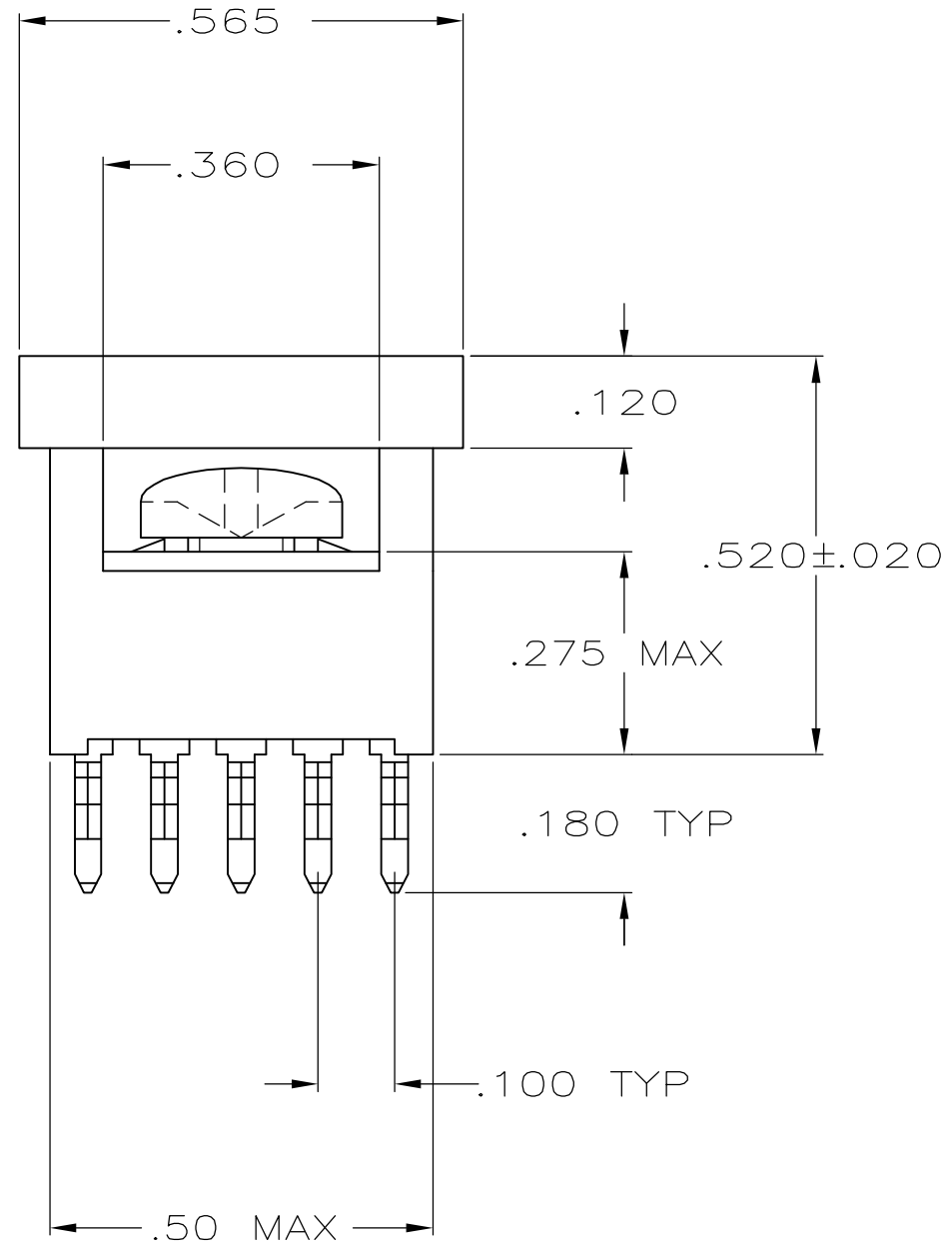


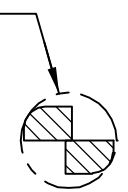
THIS DRAWING IS UNPUBLISHED. RELEASED FOR PUBLICATION  
 © COPYRIGHT BY TYCO ELECTRONICS CORPORATION. ALL RIGHTS RESERVED.

LOC	DIST	REVISIONS				
P	LTR	DESCRIPTION	DATE	DWN	APVD	
GP	00	A	REV PER EC 0512-0573-04	05-04-05	JA SF	



COVER  
 SCREW, 993879-1  
 SUPPLIED UNASSEMBLED, SEE TABLE  
 HOUSING  
 TAP  
 TO PREVENT THREAD STRIPPING, SCREW TORQUE SHOULD NOT EXCEED 9 IN LBS.  
 TAP HOLE IS 6-32UNC-2B, TWO MIN THREADS.  
 PACKAGED BULK.  
 HOUSING: NYLON.  
 TAP: COPPER ALLOY 725, .025 THICK  
 TAP: .000150 MATTE TIN OVER .000050 NICKEL  
 6. REFERENCE APPLICATION SPECIFICATION 114-11000 FOR DRILL HOLE SIZES AND FINISHES.

.050 ± .005 DIA



SECTION A-A  
 SCALE 10:1  
 10 PLACES

3	YES	YES	5055557-4
3	YES	NO	5055557-3
PACKAGING	HOUSING AND TAP ASSEMBLED	SCREW	PART NO.

THIS DRAWING IS A CONTROLLED DOCUMENT.		DWN J. ALCORTA - 05-04-05	Tyco Electronics Corporation Harrisburg, PA 17105-3608	
DIMENSIONS: INCHES		CHK A. FRANTUM - 05-04-05	APVD S. FLICKINGER - 05-04-05	
TOLERANCES UNLESS OTHERWISE SPECIFIED:		NAME TAP ASSEMBLY, POWER DISTRIBUTION		
0 PLC ± -		PRODUCT SPEC 108-11030		
1 PLC ± -		APPLICATION SPEC 114-11000		
2 PLC ± -		SIZE A3	CAGE CODE 00779	DRAWING NO C-5055557
3 PLC ± .010		RESTRICTED TO -		
4 PLC ± -		SCALE 4:1		
ANGLES ± -		SHEET 1 OF 1		
FINISH		REV A		
MATERIAL 4	FINISH 5	CUSTOMER DRAWING		